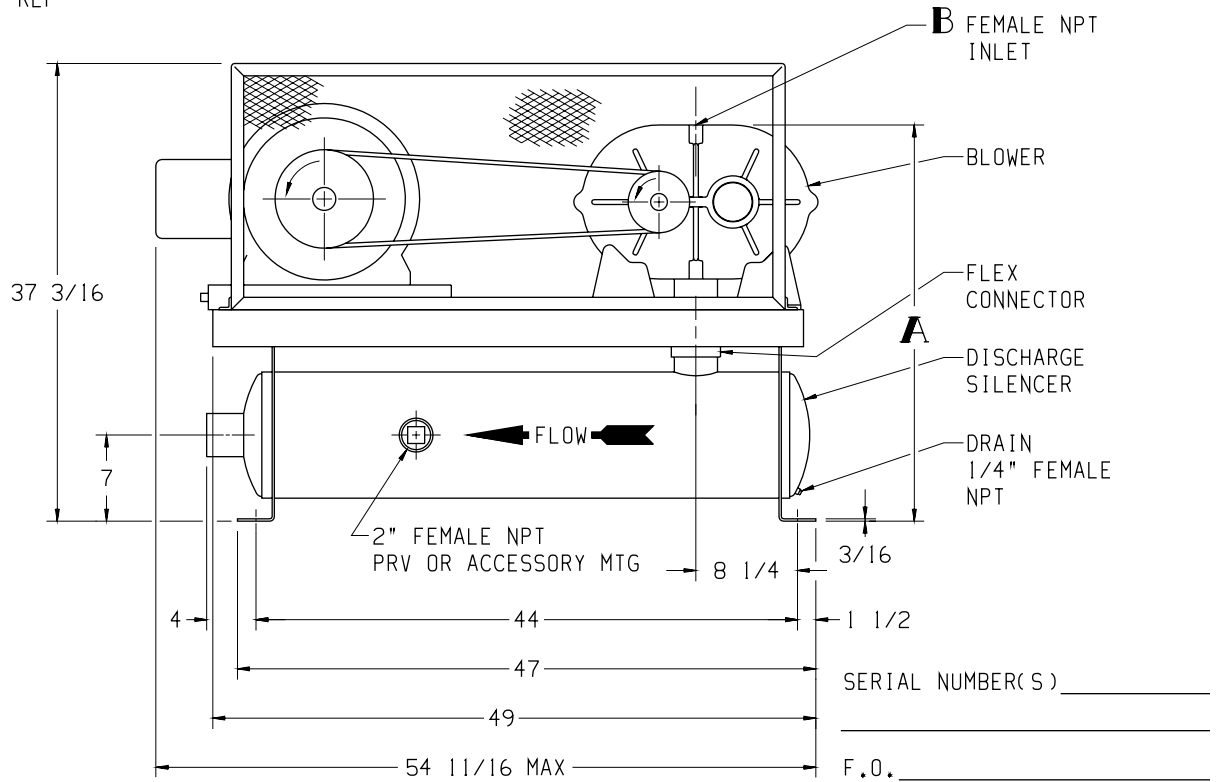
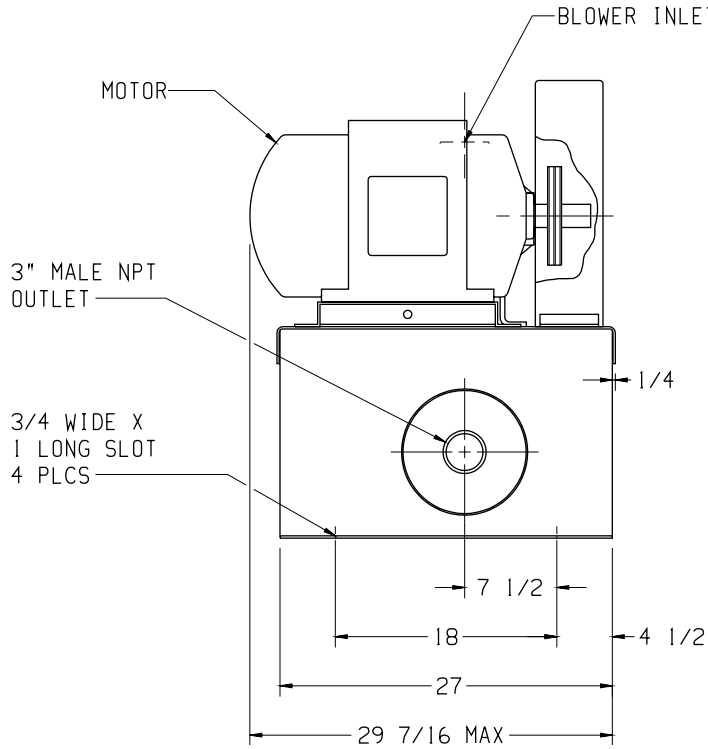


MOTOR W/SLIDE BASE  
1800 RPM, 230/460 V, 3 PH, 60 HZ

HP	FRAME	TYPE
7 1/2	213T	ODP
10	215T	TEFC
15	254T	PREMIUM EFF TEFC
20	256T	SEVERE DUTY TEFC
25	284T	
30	286T	XPFC

BLOWER	A	B
3006	26 1/8	2 1/2 NPT
4005	27 13/16	2 1/2 NPT
4007	27 13/16	3 NPT
5003	29 3/8	2 1/2 NPT
6005	32 3/16	3 NPT



APPROXIMATE WEIGHT

BASE, SILENCER, DRIVE & GUARD	259 LBS
BLOWER	___ LBS
MOTOR & SLIDE BASE	___ LBS
TOTAL WEIGHT	___ LBS

**Tuthill** 800.825.6937

BASE MOUNTED OUTLINE PNEU-PAK-13-30-C

SIZE:  
C2

DR BD 4-4-02 CH \_\_\_\_\_