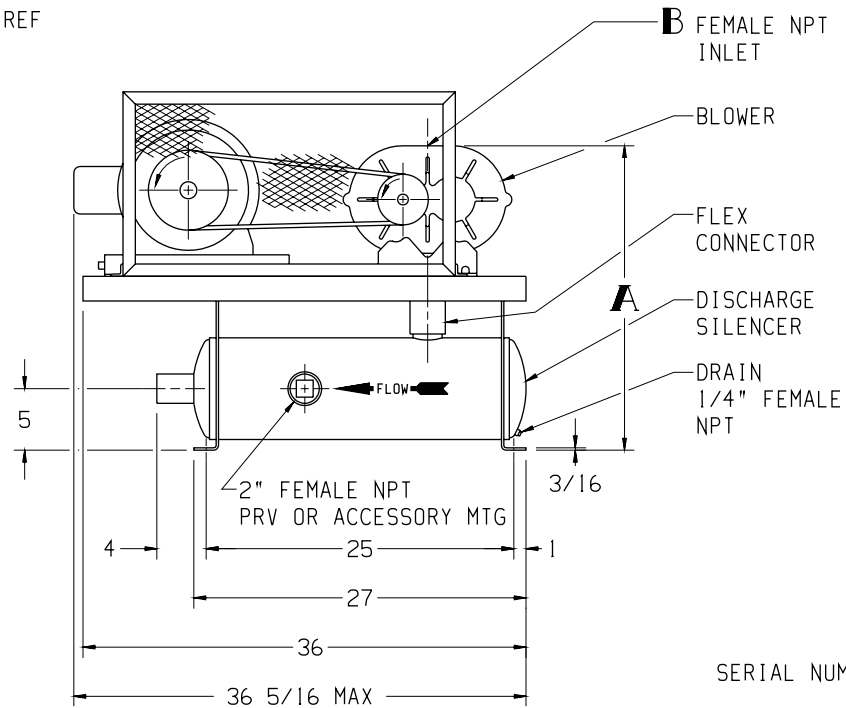
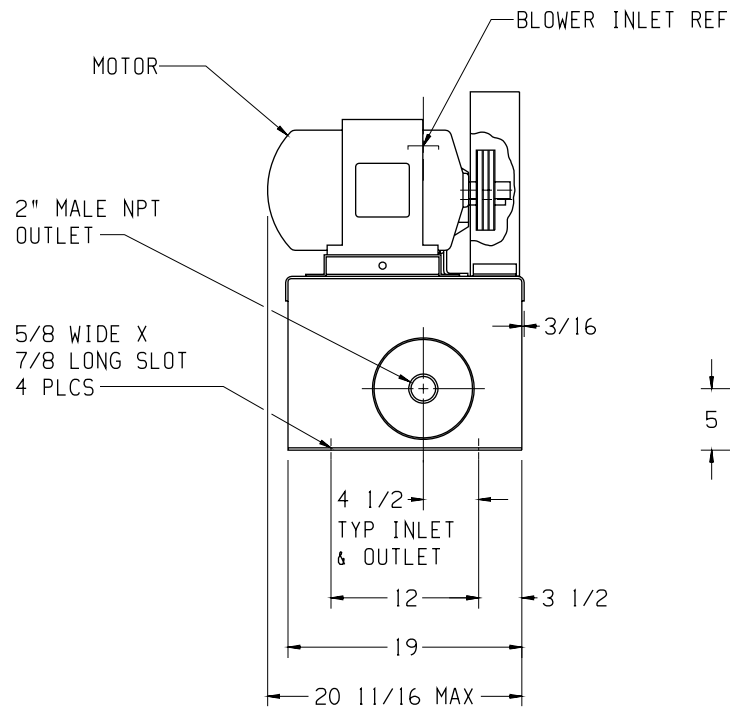


MOTOR W/SLIDE BASE		
HP	FRAME	TYPE
1800 RPM, 230/460 V, 3 PH, 60 HZ		
2	145T	ODP
3	182T	TEFC
5	184T	PREMIUM EFF TEFC
7 1/2	213T	SEVERE DUTY TEFC
10	215T	XPFC

BLOWER	A	B
2002	21	1 NPT
2004	21	2 NPT
3002	23 1/16	1 1/4 NPT
3003	23 1/16	2 NPT
4002	24 3/4	1 1/2 NPT



SERIAL NUMBER(S) \_\_\_\_\_  
 F.O. \_\_\_\_\_

APPROXIMATE WEIGHT	
BASE, SILENCER, DRIVE, & GUARD	130 LBS
BLOWER	___ LBS
MOTOR & SLIDE BASE	___ LBS
<b>TOTAL WEIGHT</b>	<b>___ LBS</b>

**Tuthill** 800.825.6937

BASE MOUNTED OUTLINE PNEU-PAK-13-20-C

SIZE: C2	
DR	BD 2-25-02
CH	CWM 3-7-02