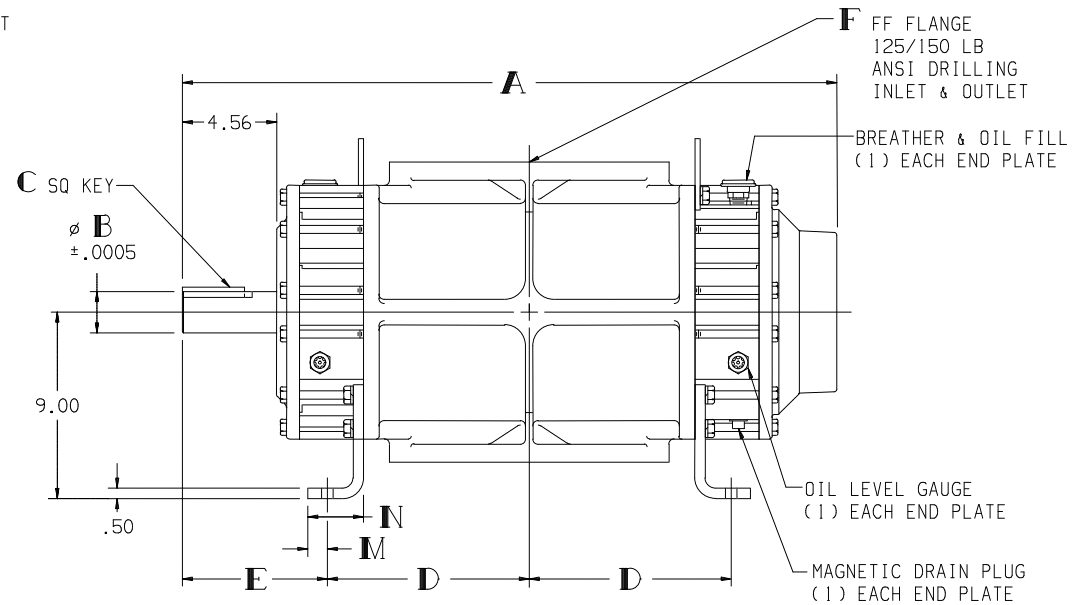
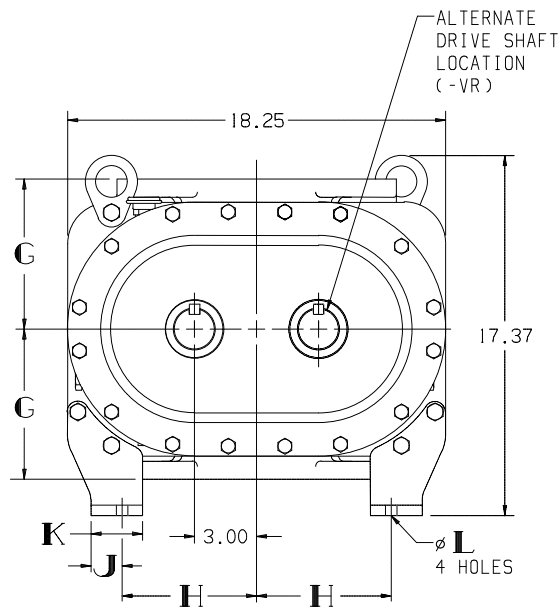


LTR	REVISION	DATE	DR	CH
A	TABULATED KEY LENGTH. 6016 & 6024 KEY WAS 3 3/4 LG (ECN 1742)	10-2-91	JS	BD
B	"H" DIM FOR 6012 WAS 4.00, & FOR 6016 & 6024 WAS 3.50; "J" DIM FOR 6012 WAS 1.00 (ECN 1911)	8-21-92	JS	CM
C	CHANGED MODEL NUMBER: ECN #2404	9-9-94	NF	LB



NOTE:
REFER TO CURRENT MAINTENANCE MANUAL
FOR SERVICE INSTRUCTIONS OR FOR FIELD
CONVERSION TO HORIZONTAL FLOW.

MODEL	A	B	C	D	E	F	G	H	J	K	L	M	N	WEIGHT LBS
6012	27.63	1.5620	3/8 X 3.75	7.31	7.44	8	9.00	6.00	2.00	3.00	.75	.69	2.00	590
6016	31.63	1.9995	1/2 X 3.00	9.75	7.00	8	7.25	6.50	1.50	2.50	.56	.94	2.69	650
6024	39.63	1.9995	1/2 X 3.00	13.75	7.00	10	7.25	6.50	1.50	2.50	.56	.94	2.69	775

6016 SHOWN

Tuthill 800.825.6937

ROTARY BLOWER OUTLINE
VERTICAL FLOW

SIZE:
C2 6000-46

DR SY 3-18-91 CH A0 4-9-91