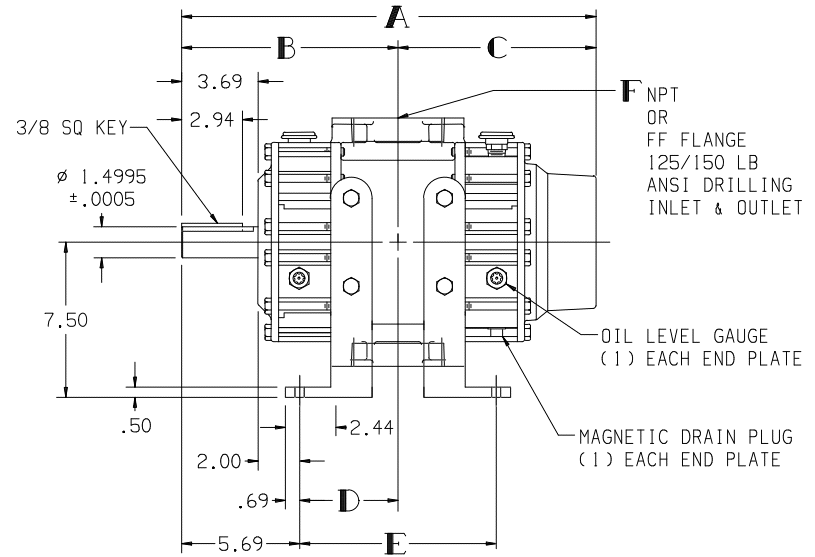
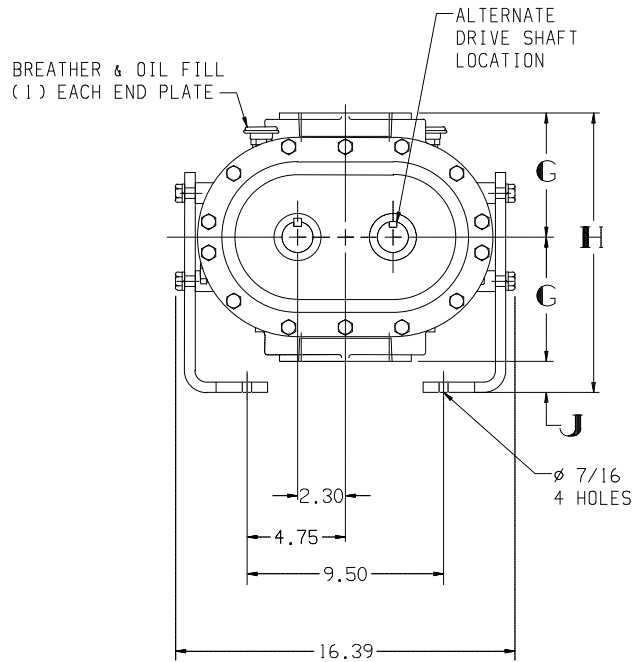


LTR	REVISION	DATE	DR	CH
A	REVISED WEIGHTS; ECN #1679	5-23-91	SY	A0
B	CHANGED MTG FT; MODEL NO. WAS 4606-VL/VR, 4609-VL/VR, 4612-VL/VR ECN #2399	9-9-94	NF	A0

MODEL	A	B	C	D	E	F	G	H	J	WEIGHT LBS
4606	20.00	10.44	9.56	4.75	9.50	4 NPT	6.00	13.50	1.50	245
4609	23.00	11.94	11.06	6.25	12.50	4 NPT	5.50	13.00	2.00	280
4612	26.00	13.44	12.56	7.75	15.50	6 FLG	5.50	13.00	2.00	320



4606 SHOWN

NOTE:

REFER TO CURRENT MAINTENANCE MANUAL FOR SERVICE INSTRUCTIONS OR FOR FIELD CONVERSION TO HORIZONTAL FLOW.

Tuthill 800.825.6937

ROTARY BLOWER OUTLINE
VERTICAL FLOW

SIZE: C2 4606, 4609, 4612-46

DR SY 1-14-91 CH A0 1-16-91