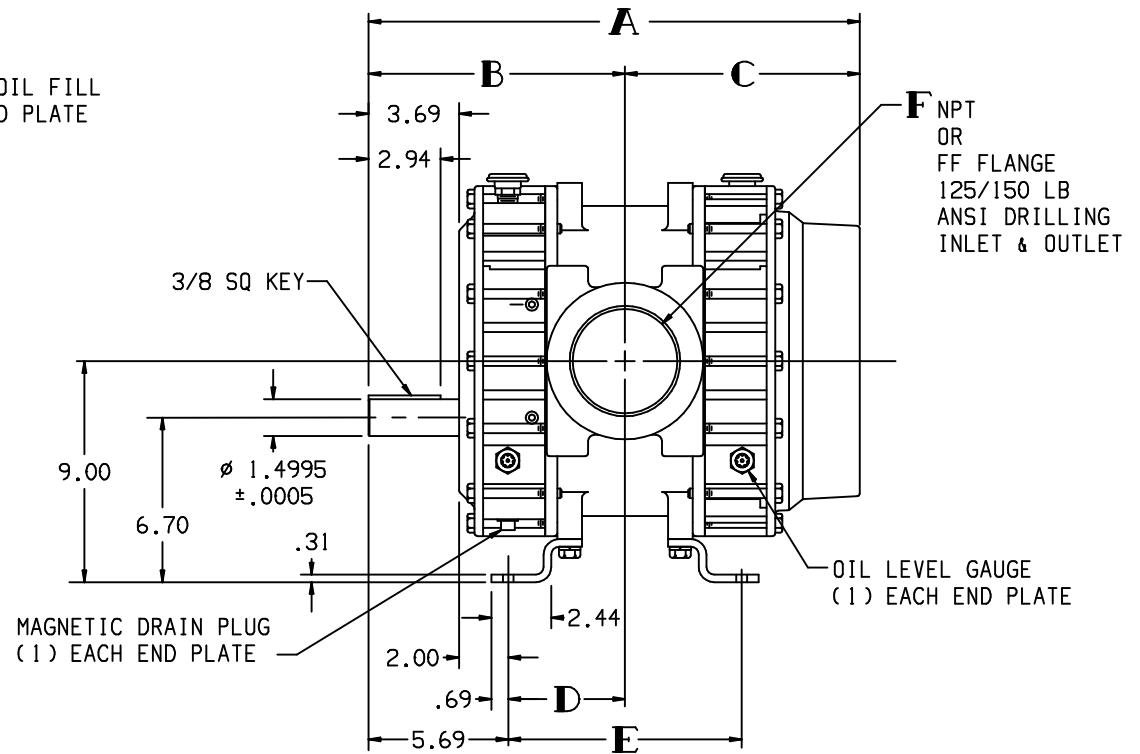
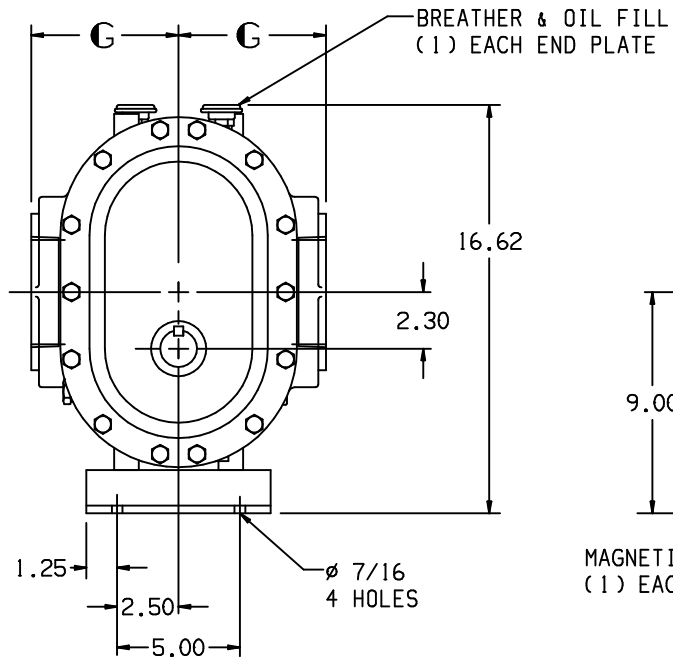


6" FLANGE

MODEL	A	B	C	D	E	F	G	WEIGHT LBS
4606	20.00	10.44	9.56	4.75	9.50	4 NPT	6.00	230
4609	23.00	11.94	11.06	6.25	12.50	4 NPT	5.50	265
4612	26.00	13.44	12.56	7.75	15.50	6 FLG	5.50	305



4606 SHOWN

NOTE:

REFER TO CURRENT MAINTENANCE MANUAL  
FOR SERVICE INSTRUCTIONS OR FOR FIELD  
CONVERSION TO VERTICAL FLOW.

**Tuthill** 800.825.6937

ROTARY BLOWER OUTLINE  
HORIZONTAL FLOW

SIZE: C2	4606, 4609, 4612-17B
DR TK 10-25-01	CH CM 10-25-01