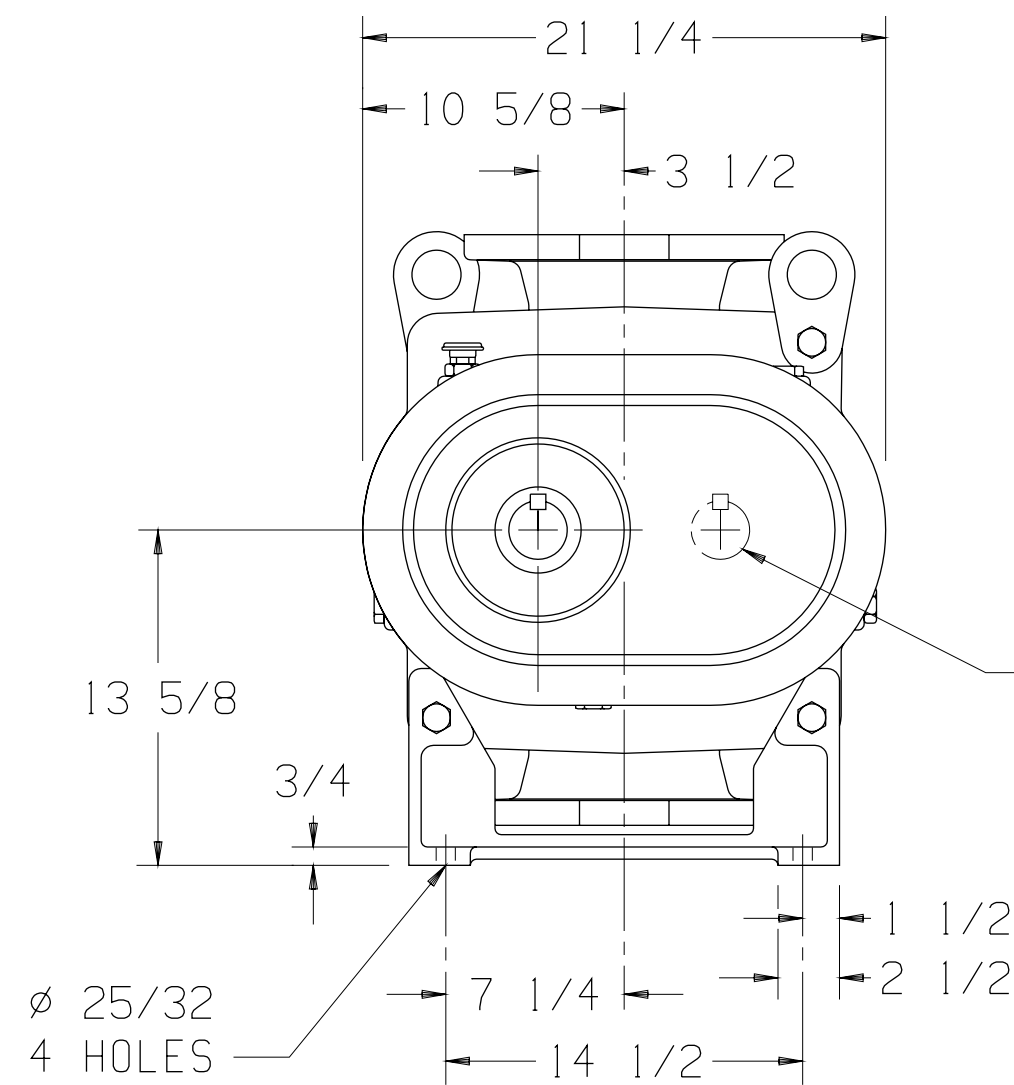
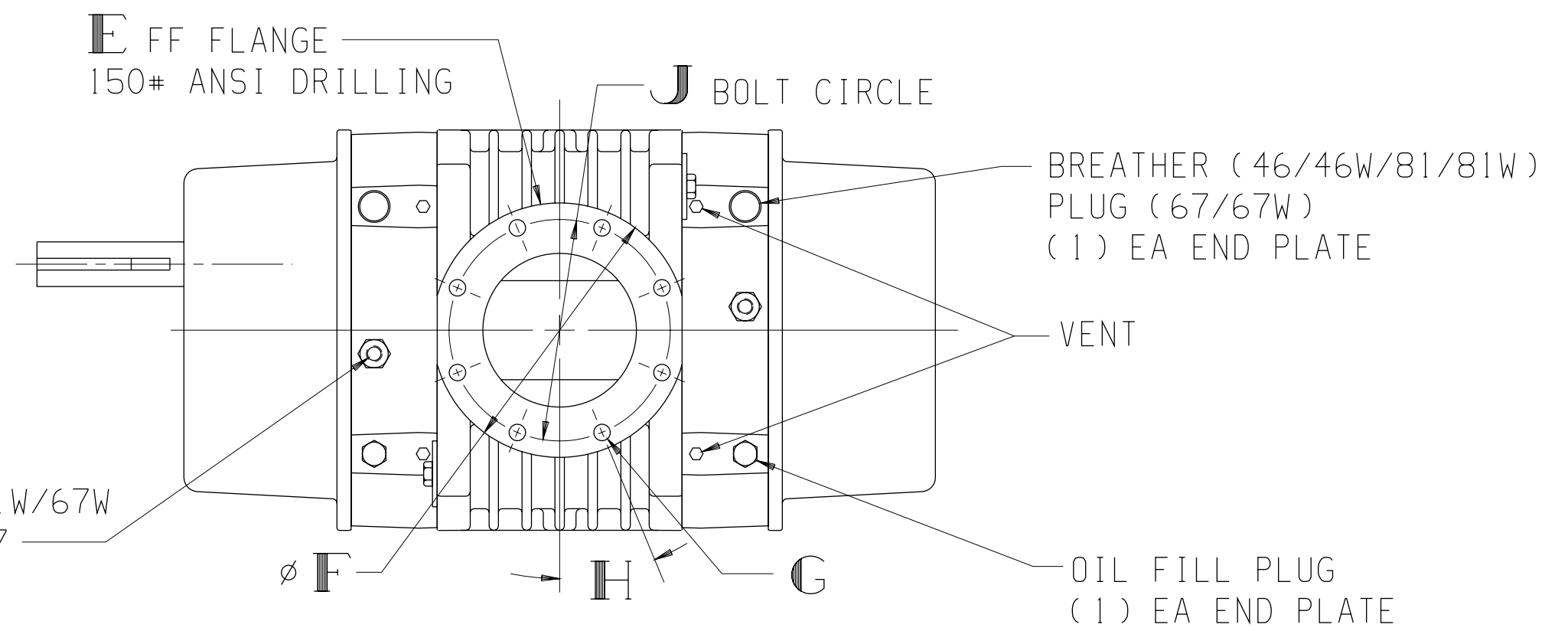
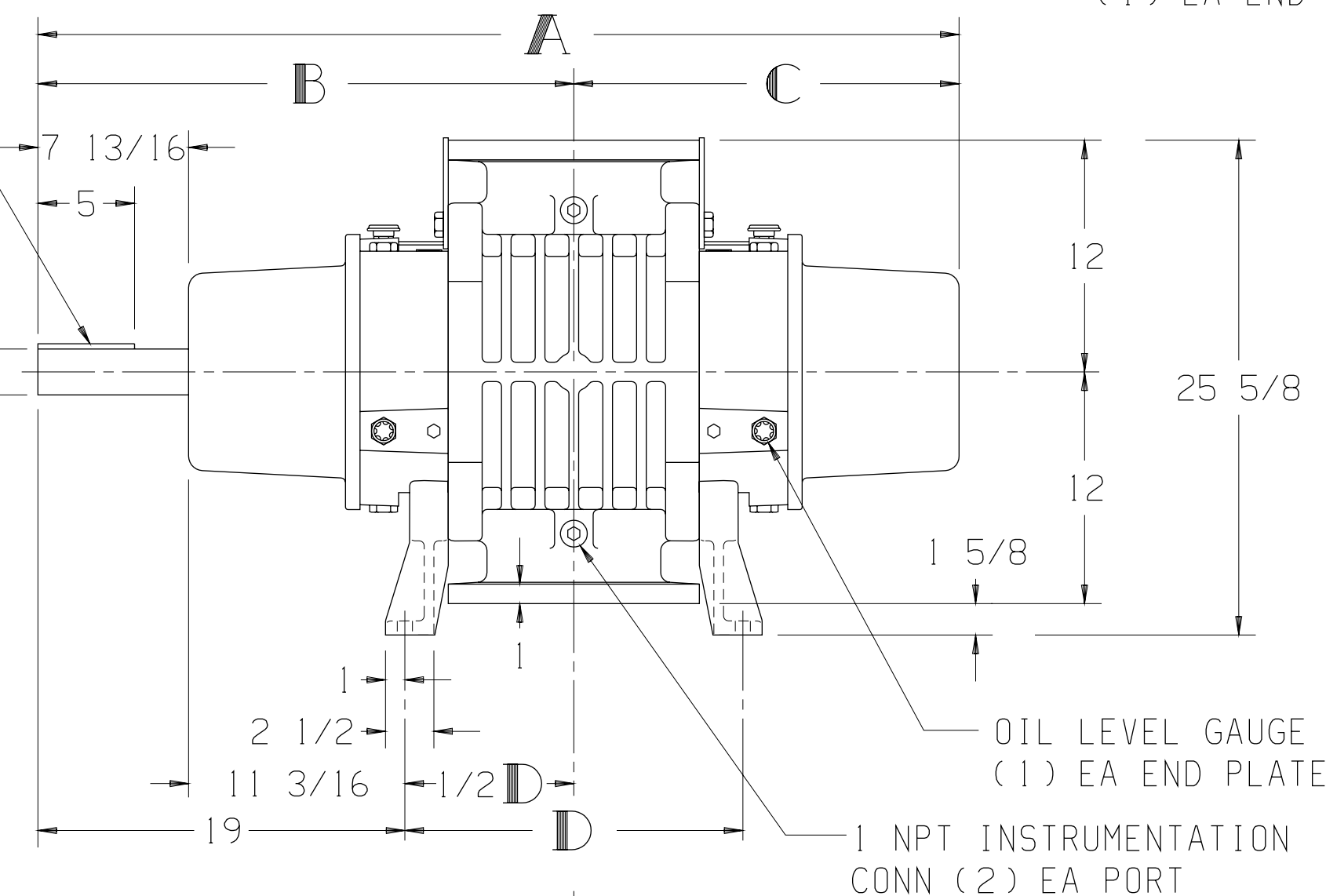
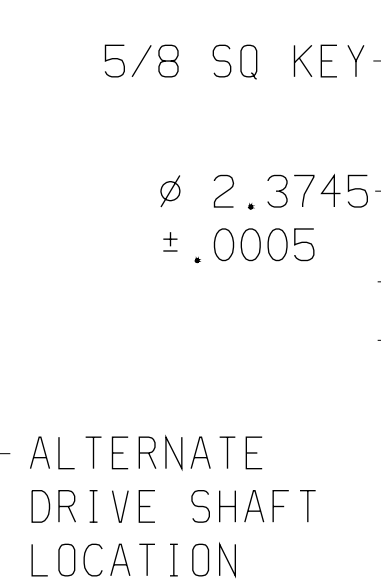


LTR	REVISION	DATE	DR	CH
G	1) UPDATED TABULATED DIM LETTERS 2) ADDED ALTERNATE DRIVE SHAFT LOCATION (ECN 2596)	2-13-97	SD	CM
H	ADDED "W" TO MODEL & REVISED ENDP (ECN 4545)	3-23-07	TK	CM

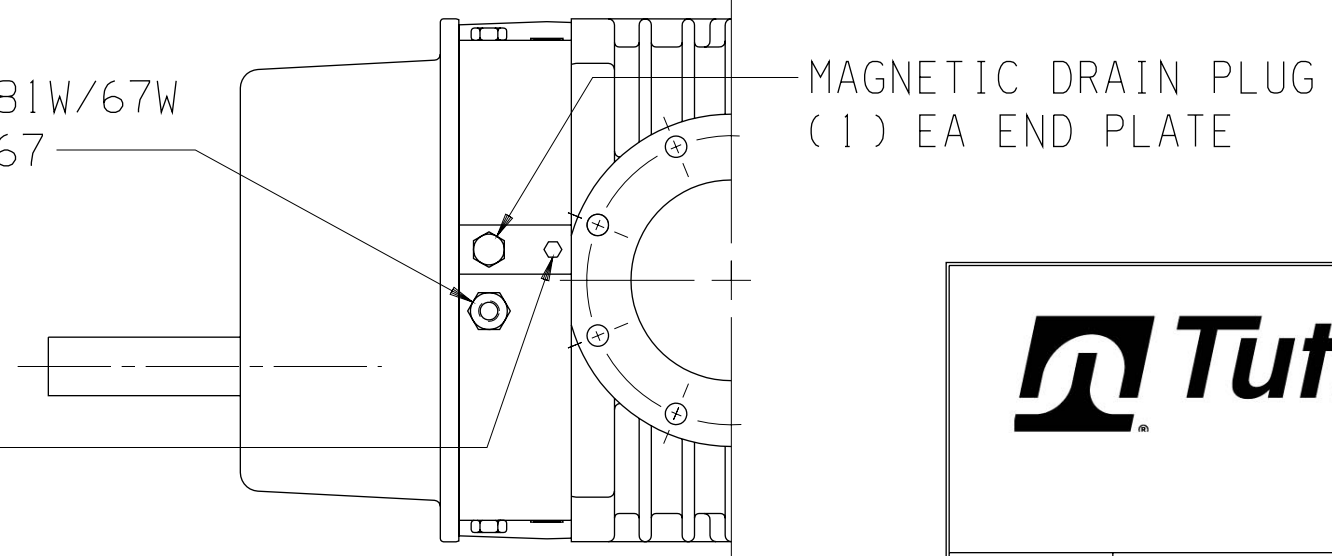
MODEL	A	B	C	D	E	F	G		H	J	WEIGHT LBS
							∅	NO.			
7010	44 <sup>15</sup> / <sub>16</sub>	26 <sup>3</sup> / <sub>8</sub>	18 <sup>9</sup> / <sub>16</sub>	14 <sup>3</sup> / <sub>4</sub>	6	11	<sup>7</sup> / <sub>8</sub>	8	22 <sup>1</sup> / <sub>2</sub> "	9 <sup>1</sup> / <sub>2</sub>	1050
7013	47 <sup>1</sup> / <sub>16</sub>	27 <sup>3</sup> / <sub>4</sub>	19 <sup>15</sup> / <sub>16</sub>	17 <sup>1</sup> / <sub>2</sub>	8	13 <sup>1</sup> / <sub>2</sub>	<sup>7</sup> / <sub>8</sub>	8	22 <sup>1</sup> / <sub>2</sub> "	11 <sup>3</sup> / <sub>4</sub>	1150
7017	51 <sup>1</sup> / <sub>16</sub>	29 <sup>3</sup> / <sub>4</sub>	21 <sup>15</sup> / <sub>16</sub>	21 <sup>1</sup> / <sub>2</sub>	10	16	1	12	15°	14 <sup>1</sup> / <sub>4</sub>	1275
7021	55 <sup>1</sup> / <sub>16</sub>	31 <sup>3</sup> / <sub>4</sub>	23 <sup>15</sup> / <sub>16</sub>	25 <sup>1</sup> / <sub>2</sub>	12	19	1	12	15°	17	1450
7026	60 <sup>1</sup> / <sub>16</sub>	34 <sup>1</sup> / <sub>4</sub>	26 <sup>7</sup> / <sub>16</sub>	30 <sup>1</sup> / <sub>2</sub>	12	19	1	12	15°	17	1600



1/2 NPT  
WATER OUTLET  
(1) EA END PLATE  
ONLY USED ON 46W/81W/67W  
PLUGGED ON 46/81/67



1/2 NPT  
WATER INLET  
(1) EA END PLATE  
ONLY USED ON 46W/81W/67W  
PLUGGED ON 46/81/67



- NOTE:
- REFER TO CURRENT MAINTENANCE MANUAL FOR SERVICE INSTRUCTIONS. FIELD CONVERSION OF DRIVE SHAFT LOCATION OR CHANGING TO HORIZONTAL FLOW.
  - COOLING WATER SPECIFICATIONS WHEN REQD:  
FLOW RATE: LESS THAN 2 GPM TOTAL  
BOTH END PLATES  
MAXIMUM PRESSURE: 75 PSIG

VENT HOLES ARE OPEN TO ATMOSPHERE FOR 46/46W PLUGGED FOR 81/81W/67/67W (5) 3/8 NPT EA END PLATE TO PURGE (81/81W/67/67W ONLY) CONNECT LINE TO (1) HOLE EACH END PLATE

NOTE: FEET LEFT OFF BOTTOM VIEW FOR CLARITY

7013 SHOWN

**Tuthill** 800.825.6937

BLOWER OUTLINE

SIZE: C2	7000-46/46W/67/67W/81/81W
DR SY 10-25-89	CH A0 10-27-89