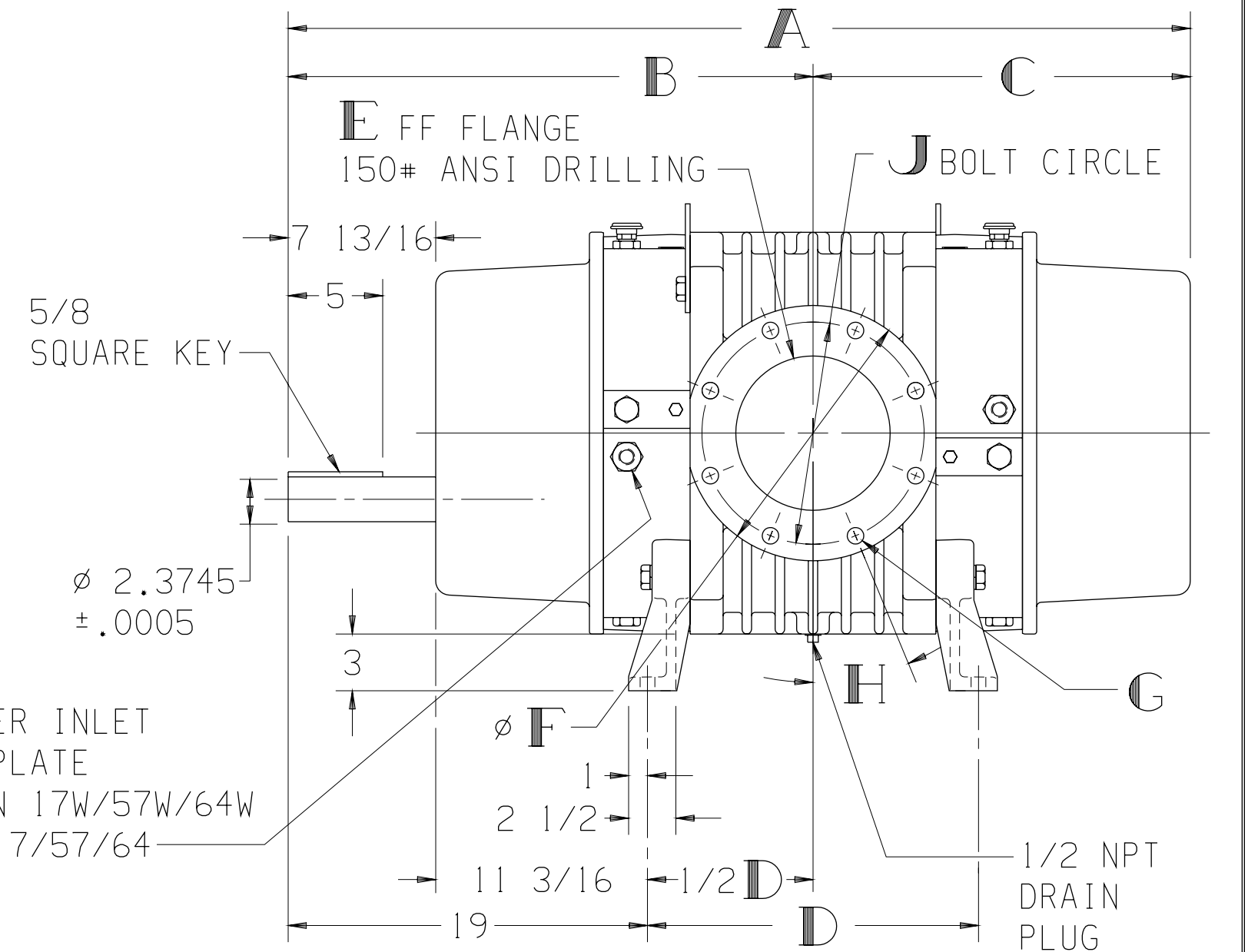
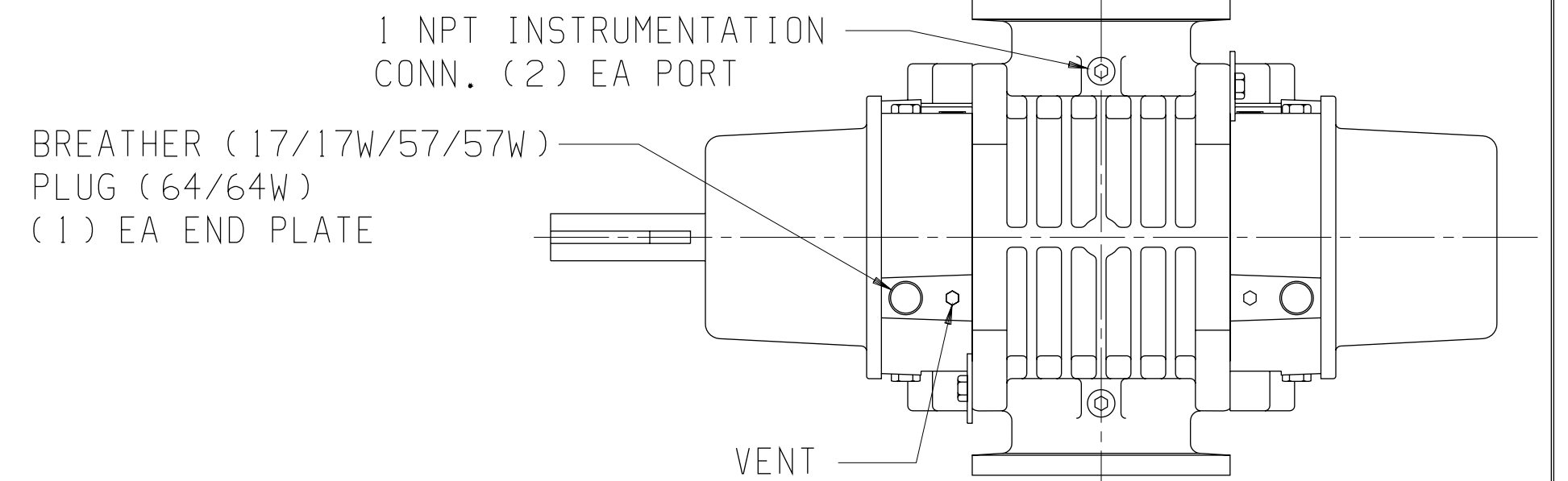
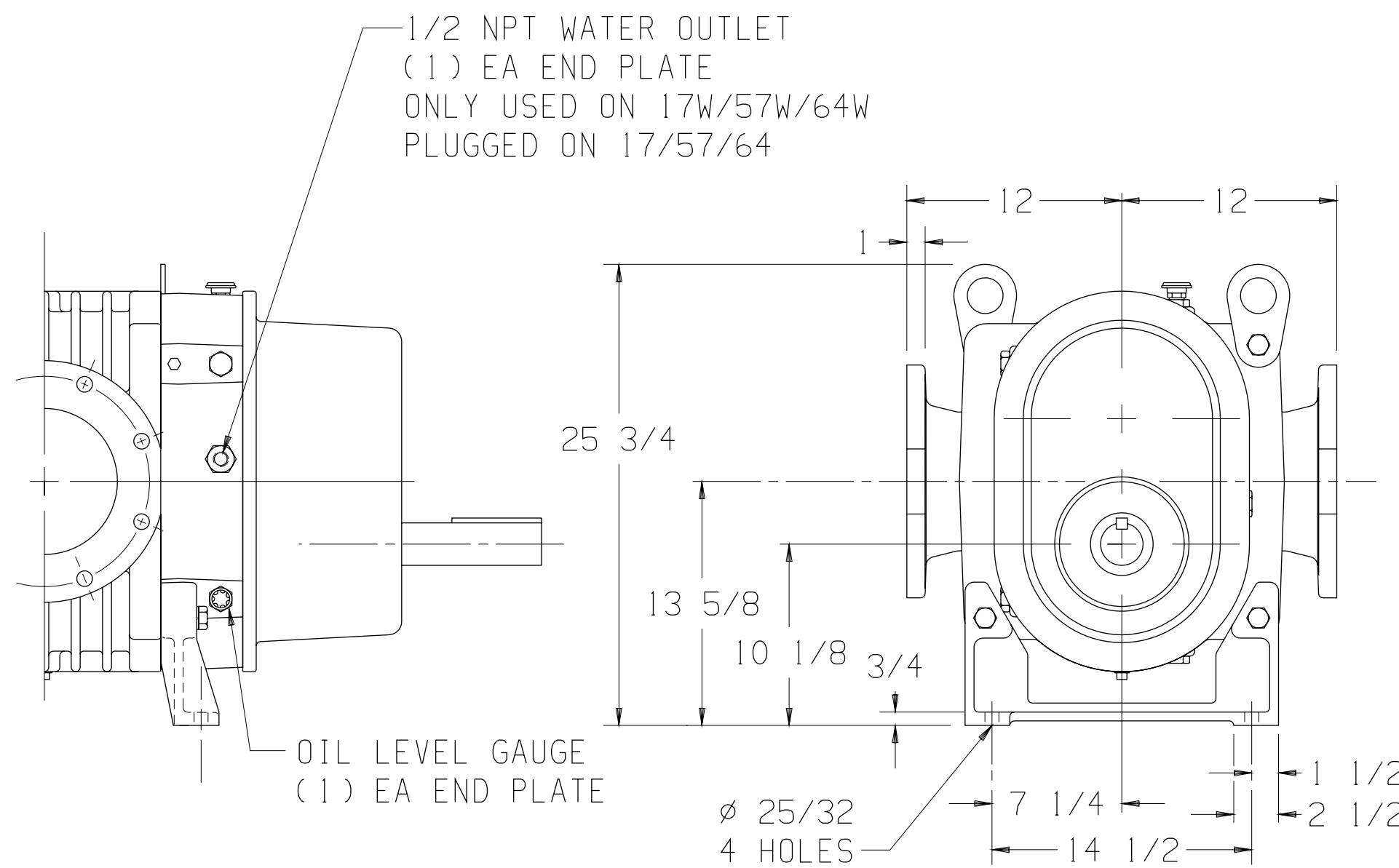


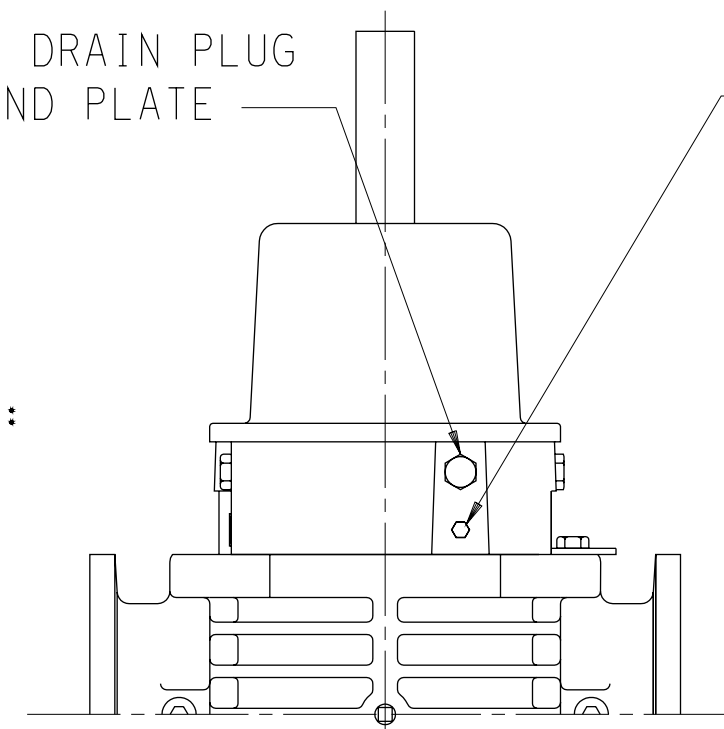
LTR	REVISION	DATE	DR	CH
A	ADDED "W" TO MODEL & REVISED ENDPL (ECN 4545)	3-22-07	TK	CM

MODEL	A	B	C	D	E	F	G		H	J	WEIGHT LBS
							∅	NO.			
7010	44 ¹⁵ / ₁₆	26 ³ / ₈	18 ⁹ / ₁₆	14 ³ / ₄	6	11	⁷ / ₈	8	22 ¹ / ₂	9 ¹ / ₂	1050
7013	47 ¹¹ / ₁₆	27 ³ / ₄	19 ¹⁵ / ₁₆	17 ¹ / ₂	8	13 ¹ / ₂	⁷ / ₈	8	22 ¹ / ₂	11 ³ / ₄	1150
7017	51 ¹¹ / ₁₆	29 ³ / ₄	21 ¹⁵ / ₁₆	21 ¹ / ₂	10	16	1	12	15°	14 ¹ / ₄	1275
7021	55 ¹¹ / ₁₆	31 ³ / ₄	23 ¹⁵ / ₁₆	25 ¹ / ₂	12	19	1	12	15°	17	1450
7026	60 ¹¹ / ₁₆	34 ¹ / ₄	26 ⁷ / ₁₆	30 ¹ / ₂	12	19	1	12	15°	17	1600



1/2 NPT WATER INLET
(1) EA END PLATE
ONLY USED ON 17W/57W/64W
PLUGGED ON 17/57/64

MAGNETIC DRAIN PLUG
(1) EA END PLATE



NOTE: FEET LEFT OFF
BOTTOM VIEW FOR
CLARITY

NOTE:

- REFER TO CURRENT MAINTENANCE MANUAL FOR SERVICE INSTRUCTIONS OR FOR FIELD CONVERSION TO VERTICAL FLOW.
- COOLING WATER SPECIFICATIONS WHEN REQD:
FLOW RATE: LESS THAN 2 GPM TOTAL
BOTH END PLATES
MAXIMUM PRESSURE: 75 PSIG
- FOR TOP DRIVE, USE INTEGRAL LUBE
REFER TO 19/19W/55/55W/66/66W SERIES

7013 SHOWN

Tuthill 800.825.6937

BLOWER OUTLINE

SIZE: 7000-17/17W/57/57W/64/64W
C2 W / DRAIN

DR CWM.8/30/00 CH MS 8-30-00