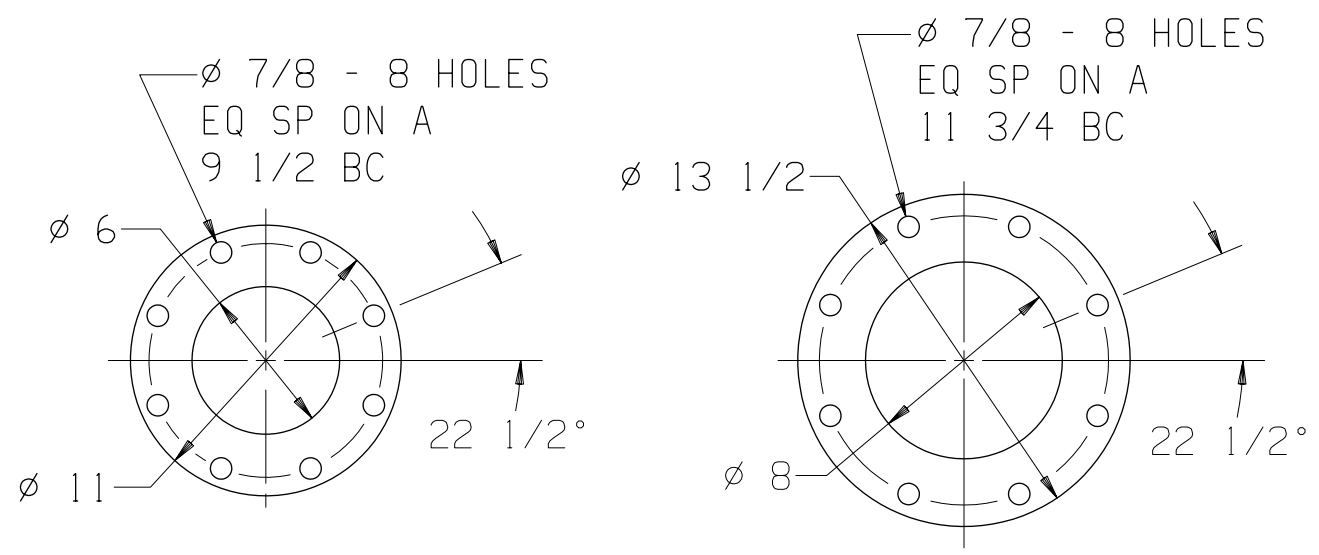


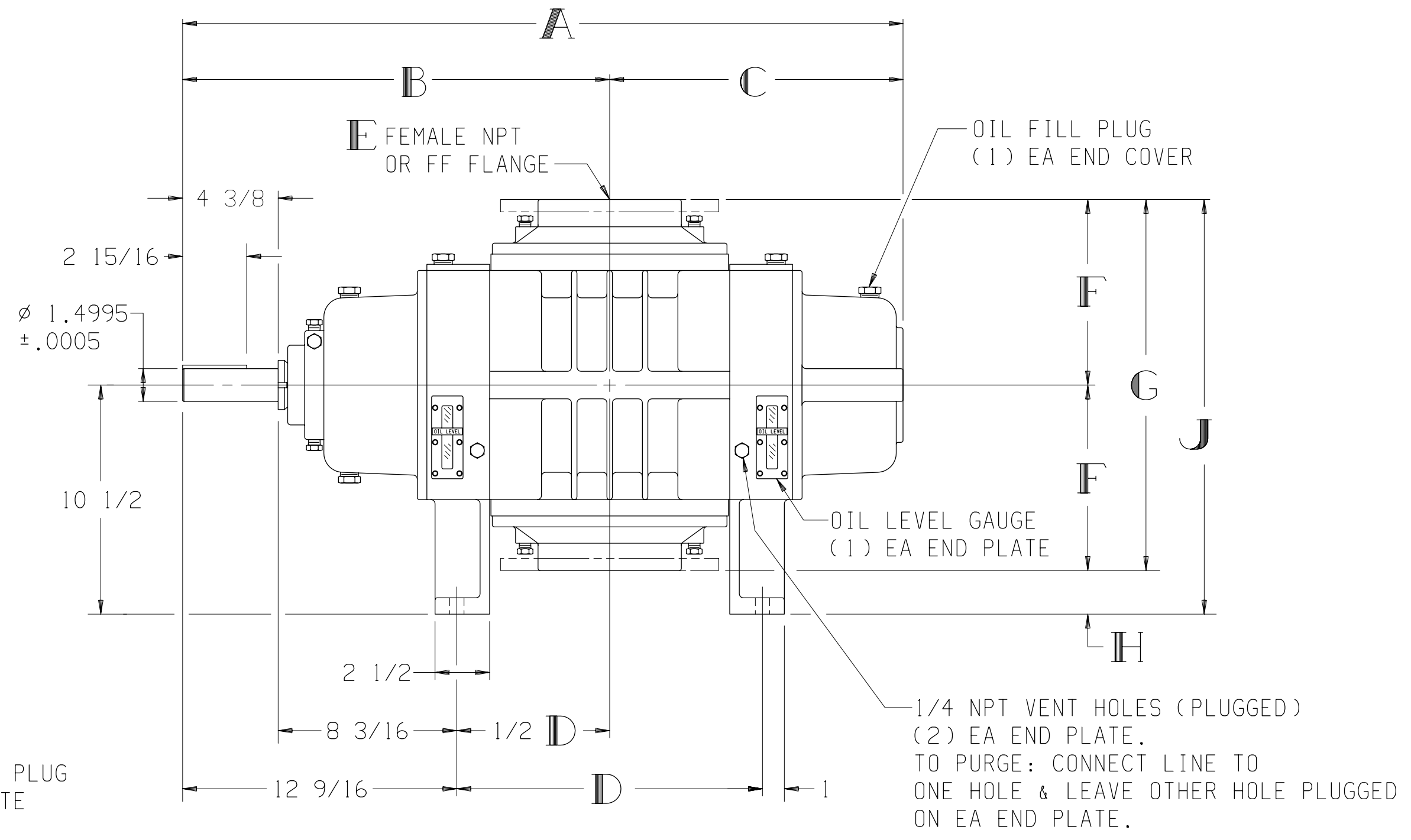
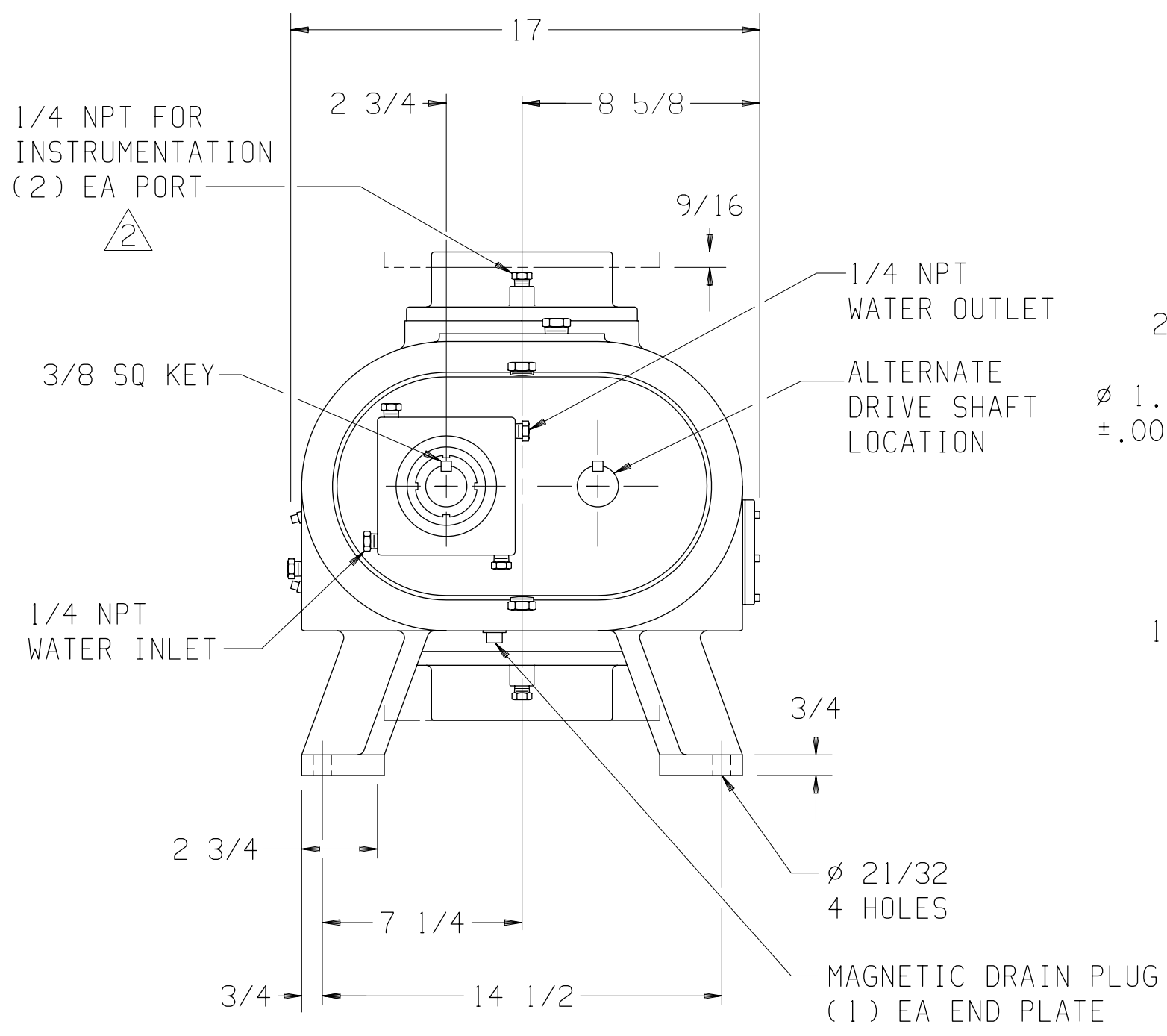
LTR	REVISION	DATE	DR	CH
E	UPDATED DWG & REMOVED 5509, 5516 & 5520; REDESIGNED DRIVE SHAFT AREA (ECN 5524)	7-8-09	CM	BD



6" FLANGE
125/150 LB
ANSI DRILLING
1/8 SCALE

8" FLANGE
125/150 LB
ANSI DRILLING
1/8 SCALE

MODEL	A	B	C	D	E	F	G	H	J
5507	29 1/2	17 13/16	11 11/16	10 1/2	4 NPT	8 1/2	17	2	19
5511	33	19 9/16	13 7/16	14	5 NPT	8 5/16	16 5/8	2 3/16	18 13/16
5514	36	21 1/16	14 15/16	17	6 FLG	10	20	1/2	20 1/2
5518	40	23 1/16	16 15/16	21	8 FLG	10	20	1/2	20 1/2



5511 SHOWN

NOTE:
1. REFER TO CURRENT MAINTENANCE MANUAL FOR SERVICE INSTRUCTIONS.
△ FLANGED PORTS HAVE (1) 1/4 NPT AND (1) 1/2 NPT FOR INSTRUMENTATION PER PORT.

Tuthill 800.825.6937
ROTARY BLOWER OUTLINE
5500-67
DR_CM 7-8-09 CH_BD 7-21-09
SIZE: C4 SCALE: 3/16 WT LBS