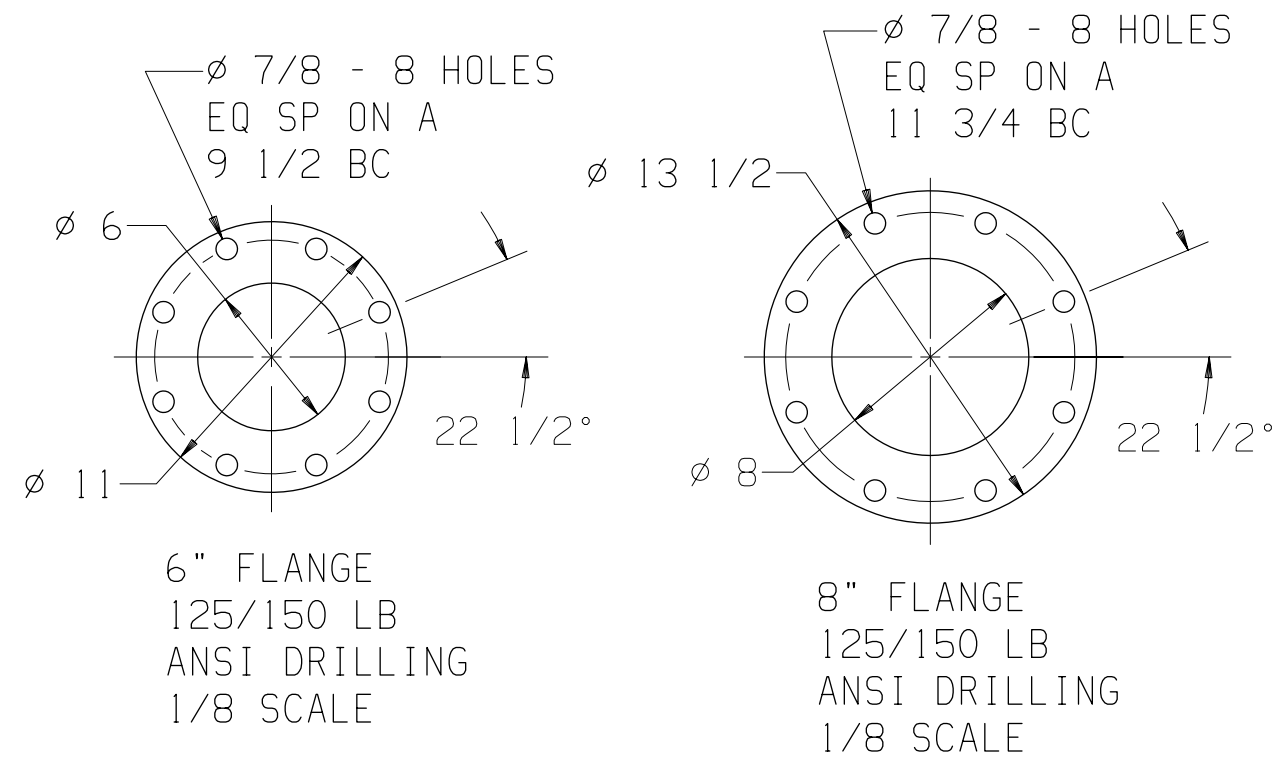
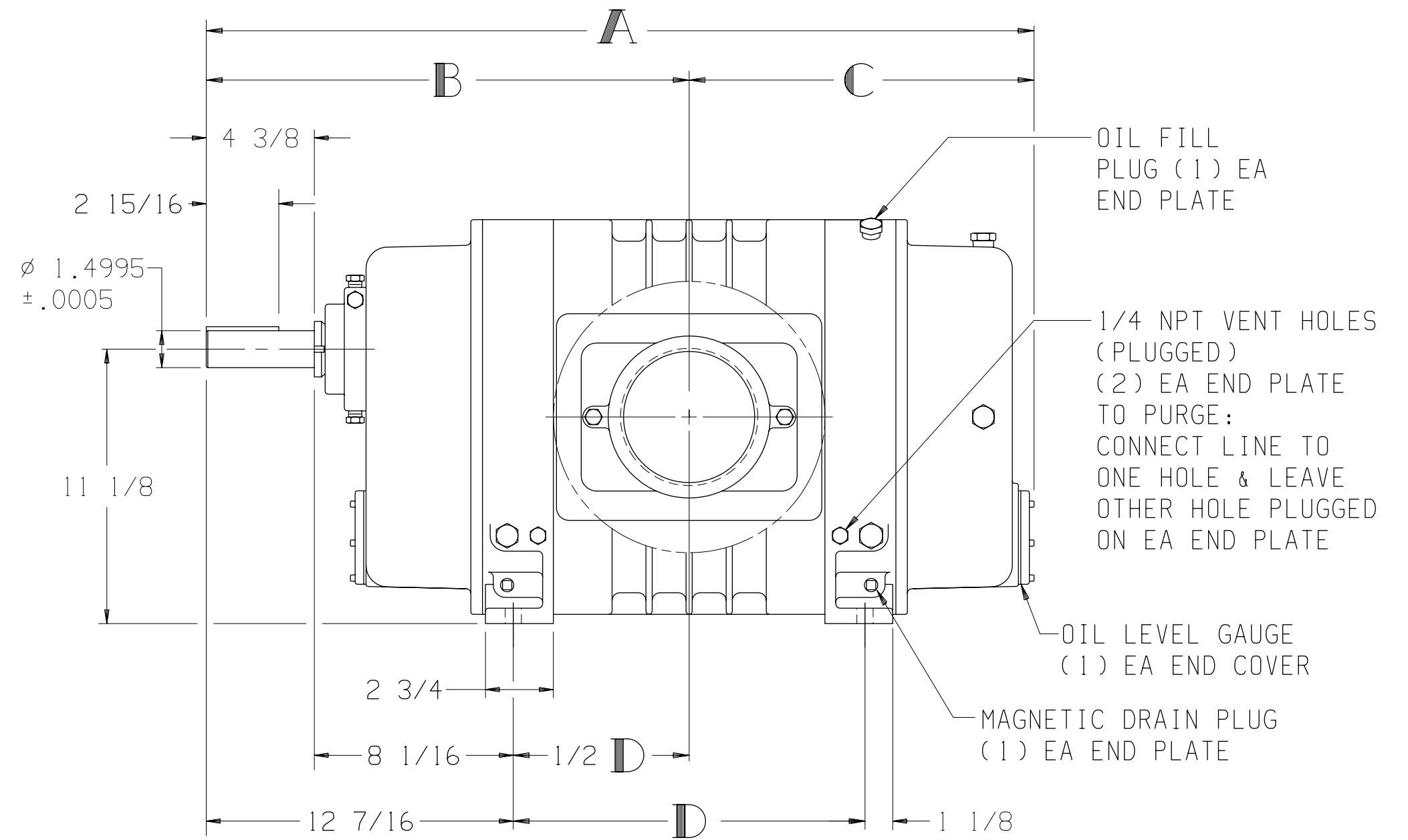
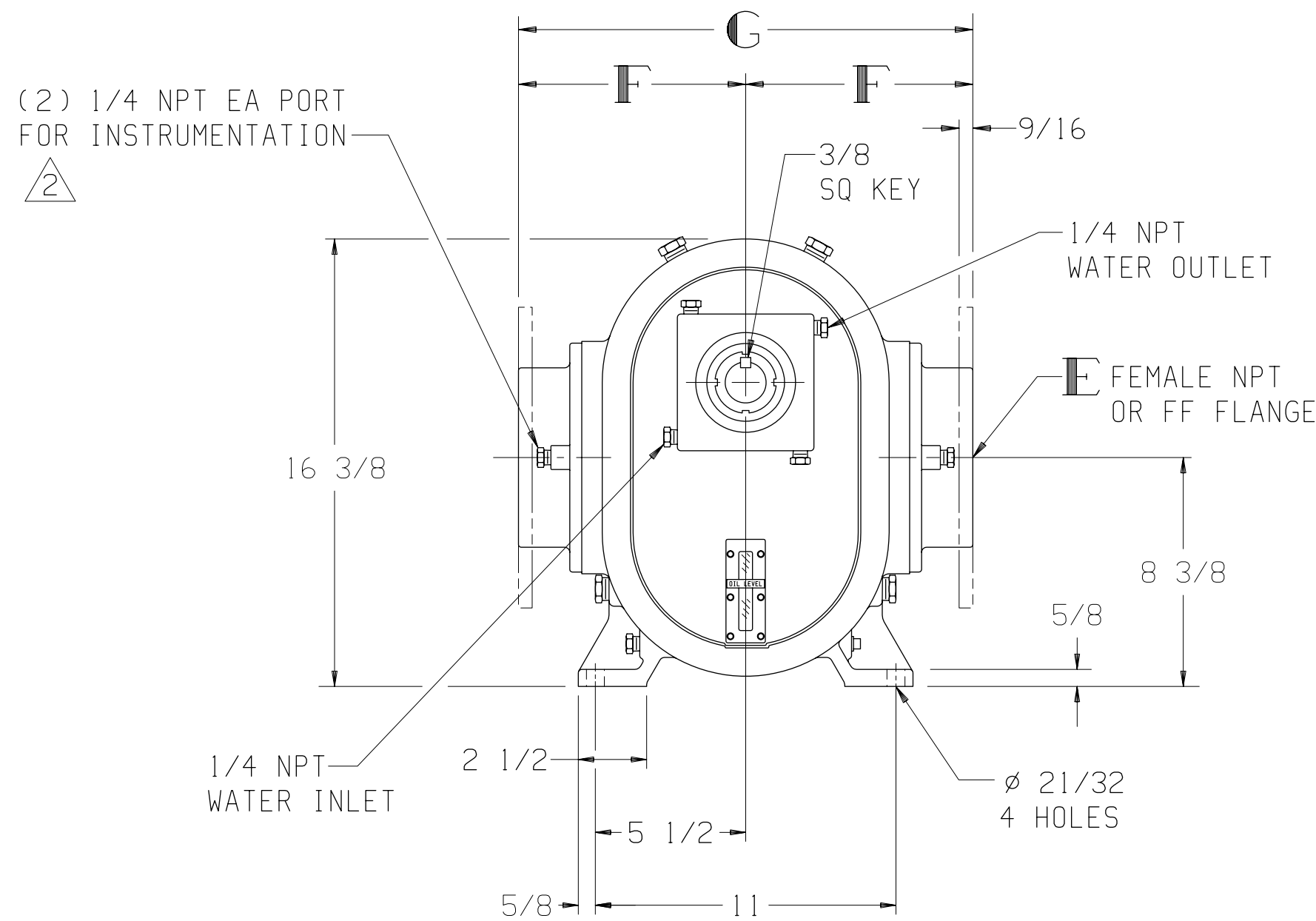


LTR	REVISION	DATE	DR	CH
H	UPDATED DWG & REMOVED 5509, 5516 & 5520; REDESIGNED DRIVE SHAFT AREA (ECN 5524)	7-30-09	CM	BD



MODEL	A	B	C	D	E	F	G
5507	30 1/16	17 13/16	12 1/4	10 3/4	4 NPT	8 1/2	17
5511	33 9/16	19 9/16	14	14 1/4	5 NPT	8 5/16	16 5/8
5514	36 9/16	21 1/16	15 1/2	17 1/4	6 FLG	10	20
5518	40 9/16	23 1/16	17 1/2	21 1/4	8 FLG	10	20



5511 SHOWN

NOTE:
1. REFER TO CURRENT MAINTENANCE MANUAL FOR SERVICE INSTRUCTIONS.

\triangle FLANGED PORTS HAVE (1) 1/4 NPT AND (1) 1/2 NPT FOR INSTRUMENTATION PER PORT.

800.825.6937
 ROTARY BLOWER OUTLINE
 5500-64T
 DR CM 7-30-09 CH
 SIZE: C4 SCALE: 3/16 WT LBS