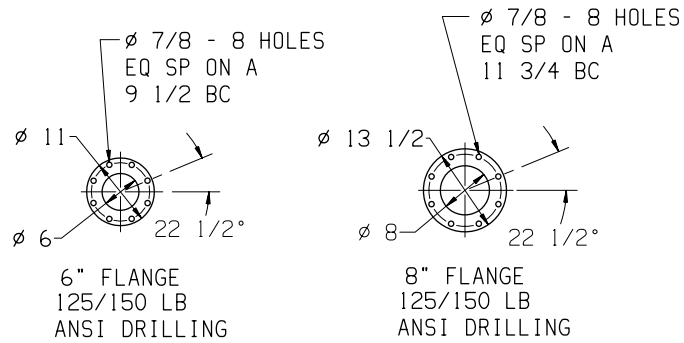
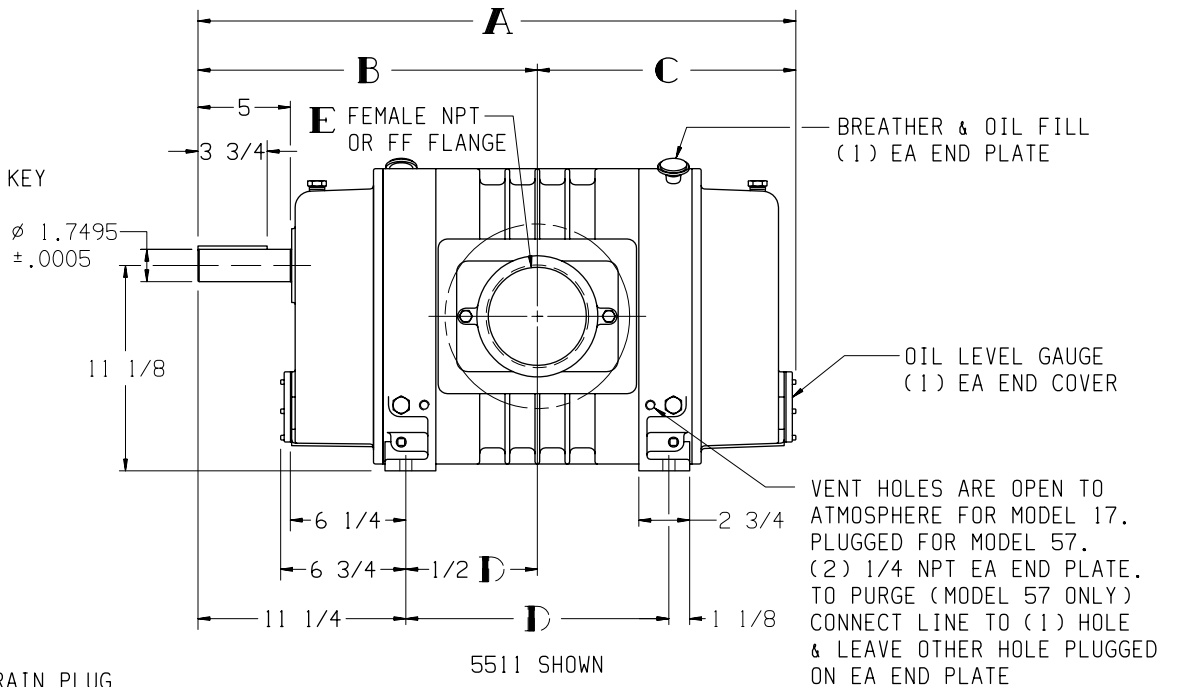
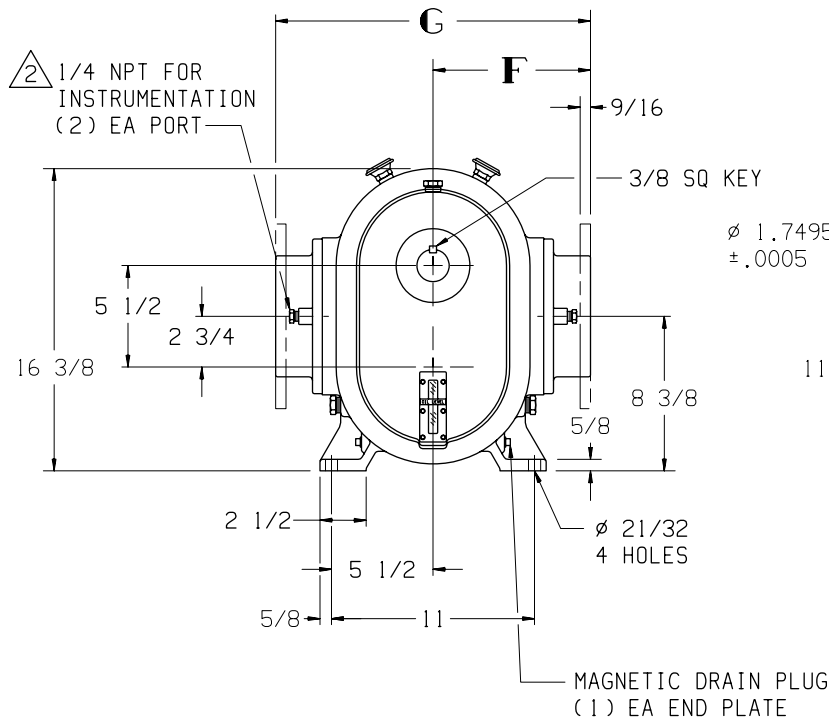


LTR	REVISION	DATE	DR	CH
C	REDRAWN PER LATEST STD'S (ECN 1643)	5-2-91	JS	MS
D	REVISED NOTE 2; CHANGED LETTERS FOR TABULATED DIMENSIONS; BREATHERS WERE ON END COVERS. (ECN 2734)	1-11-96	BD	CM



MODEL	A	B	C	D	E	F	G
5507	28 15/16	16 5/8	12 5/16	10 3/4	4 NPT	8 1/2	17
5509	30 7/16	17 3/8	13 1/16	12 1/4	5 NPT	8 1/2	17
5511	32 7/16	18 3/8	14 1/16	14 1/4	5 NPT	8 1/2	17
5514	35 7/16	19 7/8	15 9/16	17 1/4	6 FLG	10	20
5516	37 7/16	20 7/8	16 9/16	19 1/4	8 FLG	10	20
5518	39 7/16	21 7/8	17 9/16	21 1/4	8 FLG	10	20
5520	41 7/16	22 7/8	18 9/16	23 1/4	8 FLG	10	20



NOTE:

- REFER TO CURRENT MAINTENANCE MANUAL FOR SERVICE INSTRUCTIONS.

\triangle FLANGED PORTS HAVE (1) 1/4 NPT AND (1) 1/2 NPT FOR INSTRUMENTATION PER PORT.

Tuthill 800.825.6937

ROTARY BLOWER OUTLINE

SIZE: C2	5500-17T/57T
DR JS 5-2-91	CH MS 12-30-91