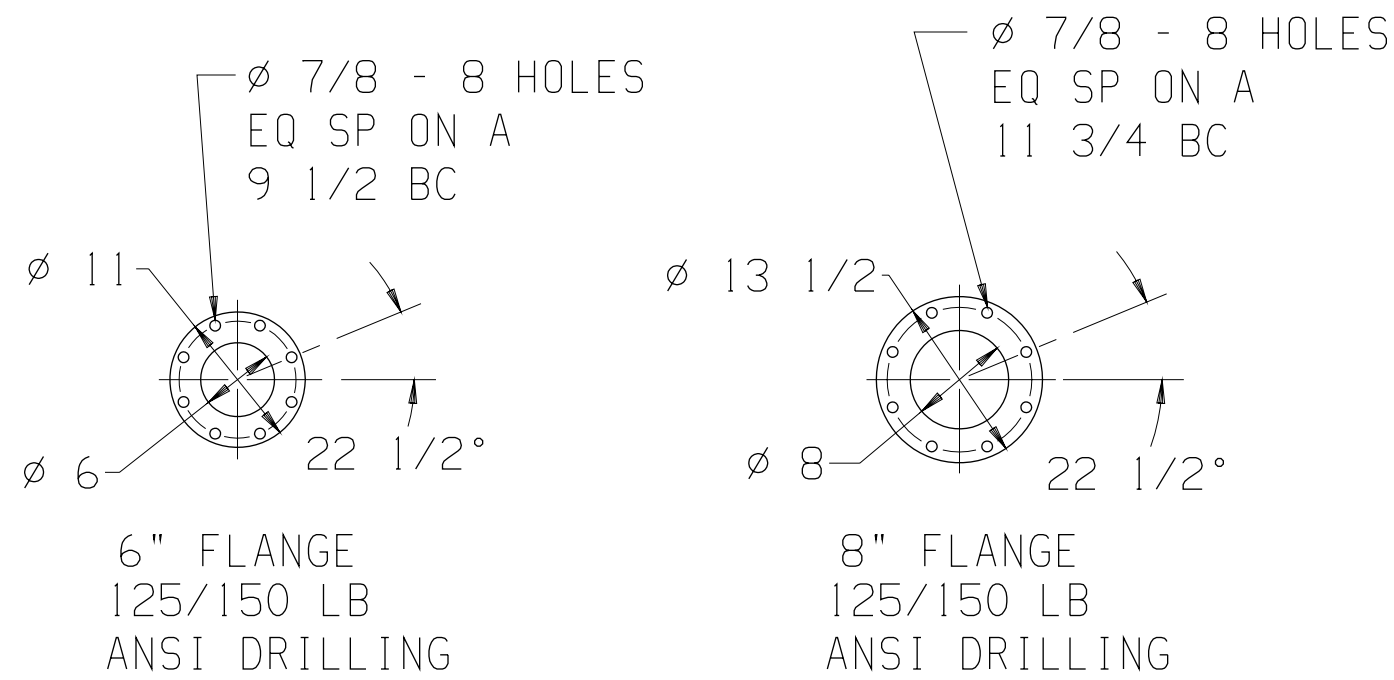
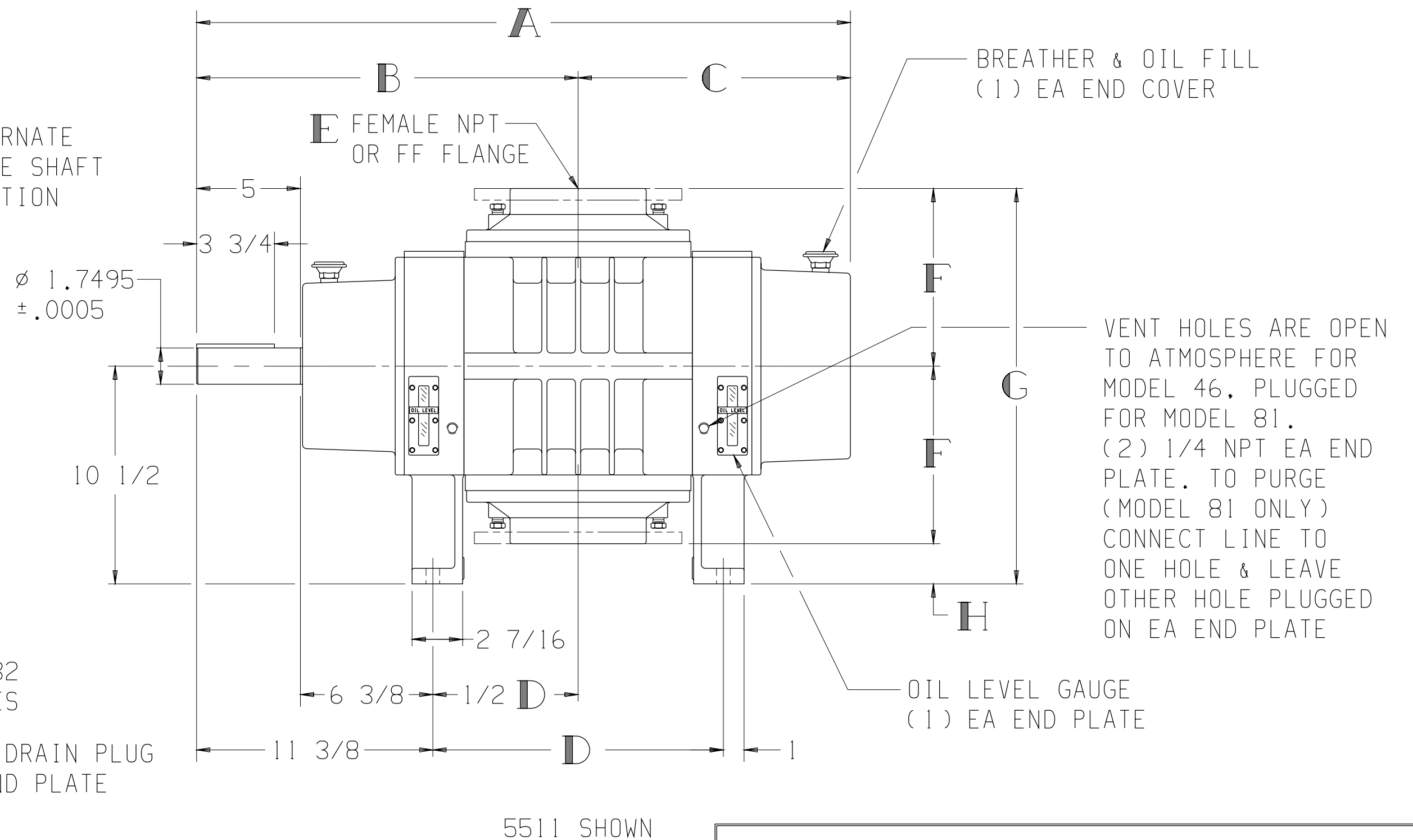
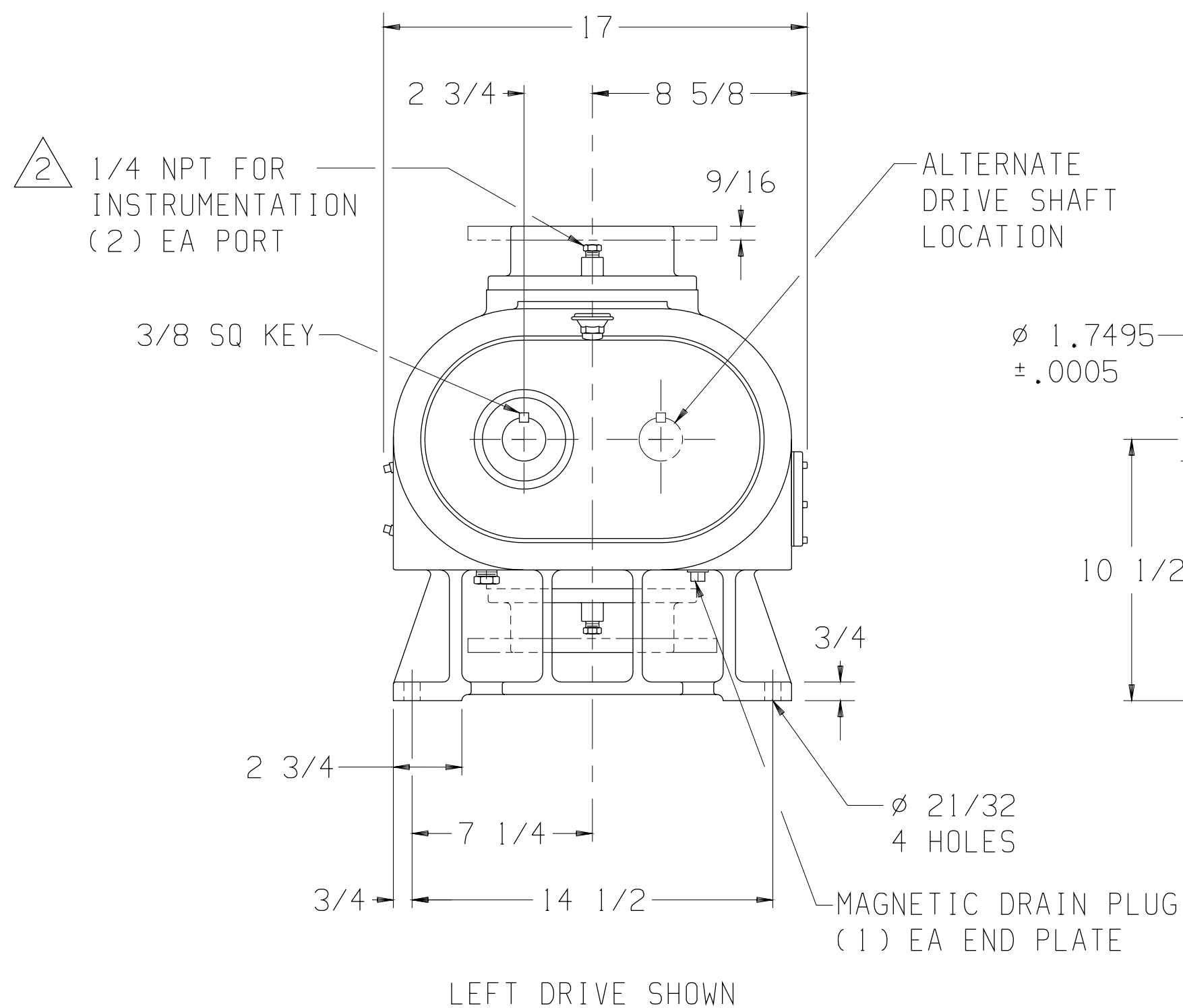



LTR	REVISION	DATE	DR	CH
E	REDRAWN PER LATEST STD'S (ECN 1643)	5-3-91	JS	MS
F	ADDED ALTERNATE DRIVE SHAFT LOCATION; REVISED NOTE 2 & CHANGED LETTERS FOR TABULATED DIMENSIONS (ECN 2734)	1-8-96	BD	CM



MODEL	A	B	C	D	E	F	G	H
5507	28 5/16	16 5/8	11 11/16	10 1/2	4 NPT	8 1/2	19	2
5509	29 13/16	17 3/8	12 7/16	12	5 NPT	8 1/2	19	2
5511	31 13/16	18 3/8	13 7/16	14	5 NPT	8 1/2	19	2
5514	34 13/16	19 7/8	14 15/16	17	6 FLG	10	20 1/2	1/2
5516	36 13/16	20 7/8	15 15/16	19	8 FLG	10	20 1/2	1/2
5518	38 13/16	21 7/8	16 15/16	21	8 FLG	10	20 1/2	1/2
5520	40 13/16	22 7/8	17 15/16	23	8 FLG	10	20 1/2	1/2



NOTE:
 1. REFER TO CURRENT MAINTENANCE MANUAL FOR SERVICE INSTRUCTIONS.
 \triangle FLANGED PORTS HAVE (1) 1/4 NPT AND (1) 1/2 NPT FOR INSTRUMENTATION PER PORT.


800.825.6937
 ROTARY BLOWER OUTLINE

SIZE: C2	5500-46/81
DR JS 5-3-91	CH MS 12-30-91