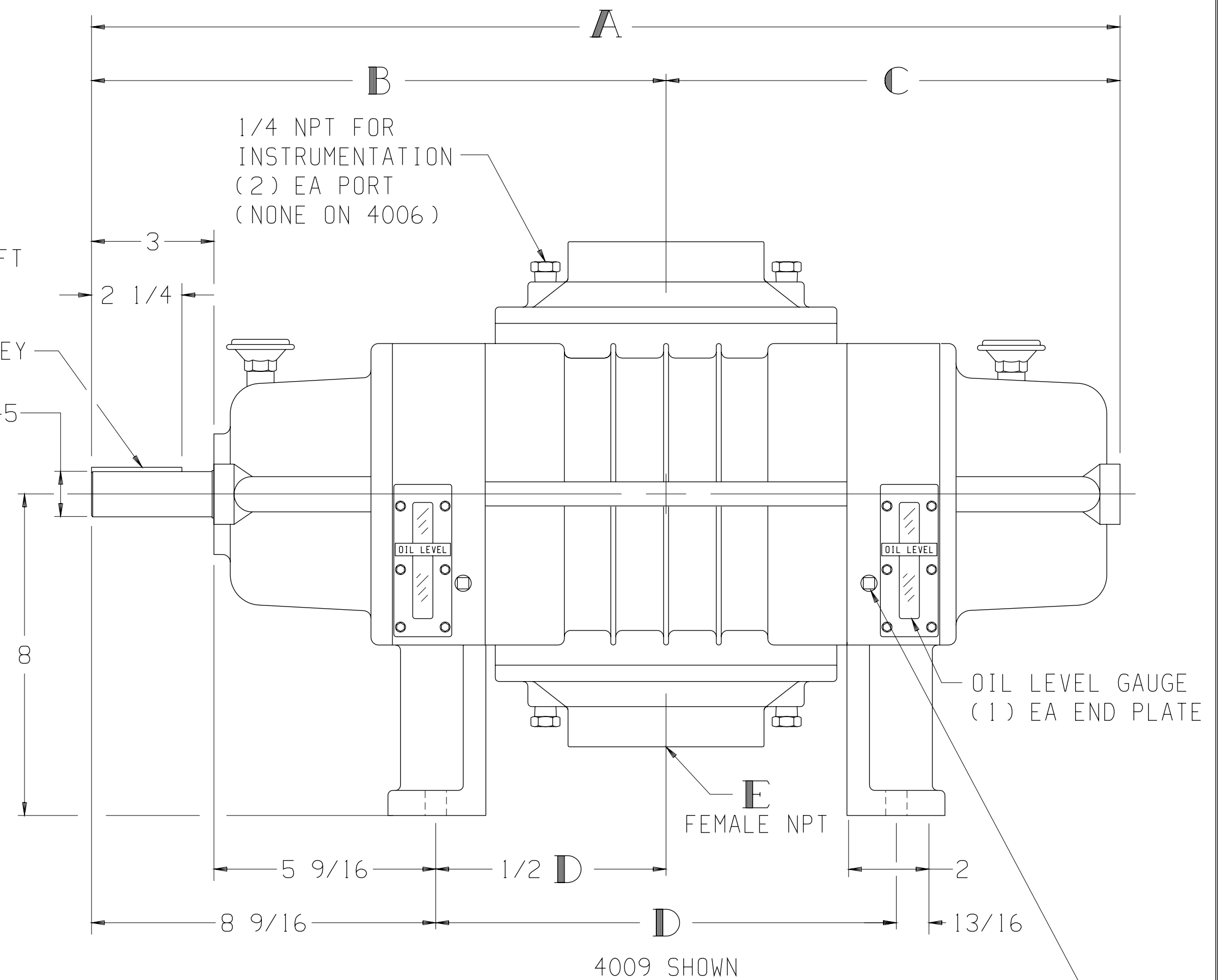
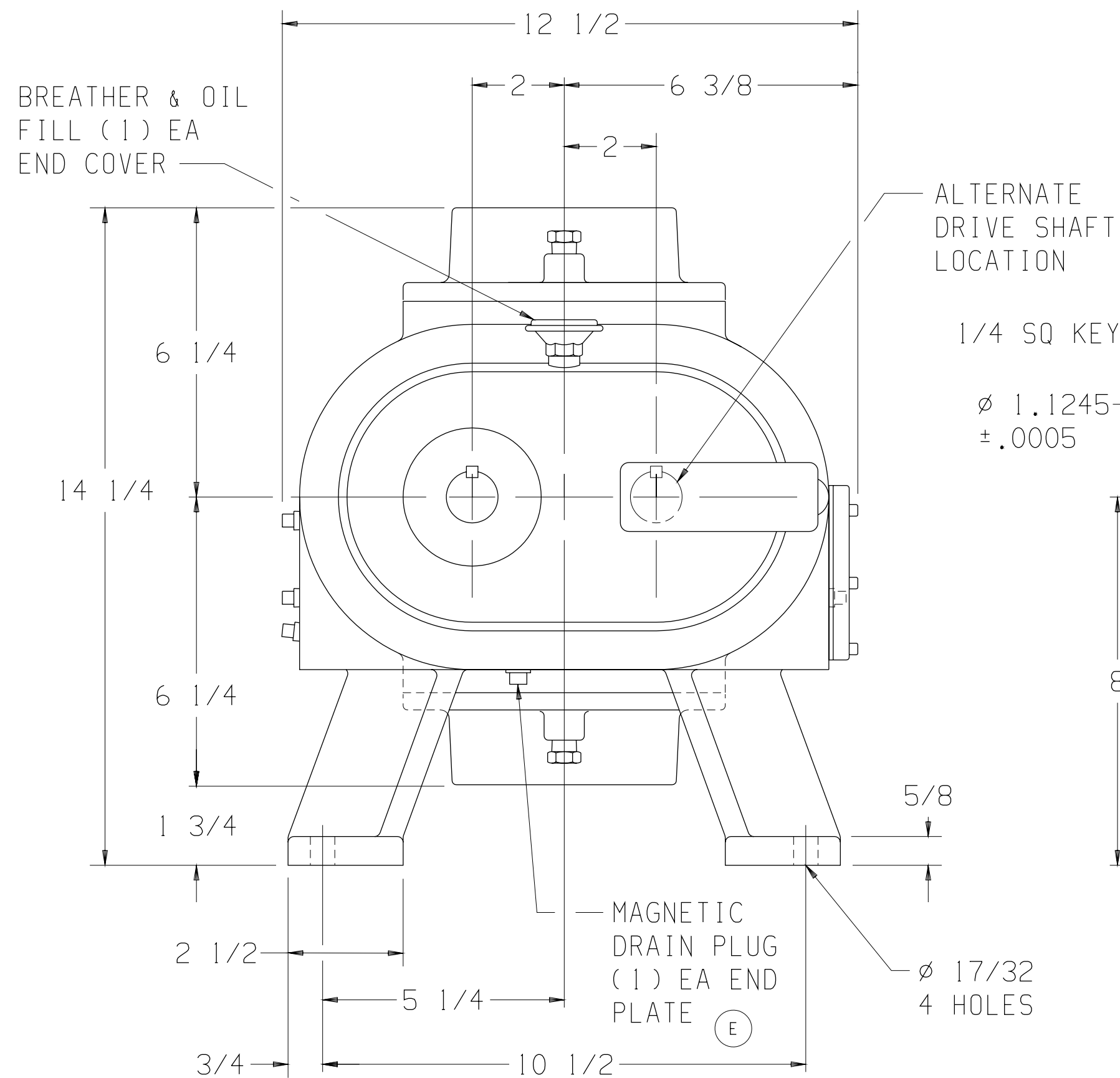


MODEL	A	B	C	D	E	WT
4006	22 5/8	12 13/16	9 13/16	8 1/2	3	165
4009	25 5/8	14 5/16	11 5/16	11 1/2	3	185
4012	28 5/8	15 13/16	12 13/16	14 1/2	4	210

LTR	REVISION	DATE	DR	CH
B	REDRAWN PER LATEST STD'S (ECN 1643)	3-14-91	JS	LB
C	ADDED ALTERNATE D.S. & WEIGHTS (PROJ 120)	1-13-95	LB	CM
D	REVISED PER CTG CHANGES (ECN 4285)	3-8-04	SM	CJ
E	RELOCATED PLUG & DELETED HEX PLUG (ECN 4439)	4-8-05	CM	CM



VENT HOLES OPEN TO ATMOSPHERE FOR 46 SERIES. PLUGGED FOR 81 SERIES. (2) 1/8 NPT EA END PLATE. TO PURGE (81 SERIES ONLY), CONNECT LINE TO (1) HOLE & LEAVE OTHER PLUGGED ON EA END PLATE

REFER TO CURRENT MAINTENANCE MANUAL FOR SERVICE INSTRUCTIONS

Tuthill 800.825.6937

ROTARY BLOWER OUTLINE

SIZE: C2	4000-46/81
DR JS 3-14-91	CH LB 2-11-92