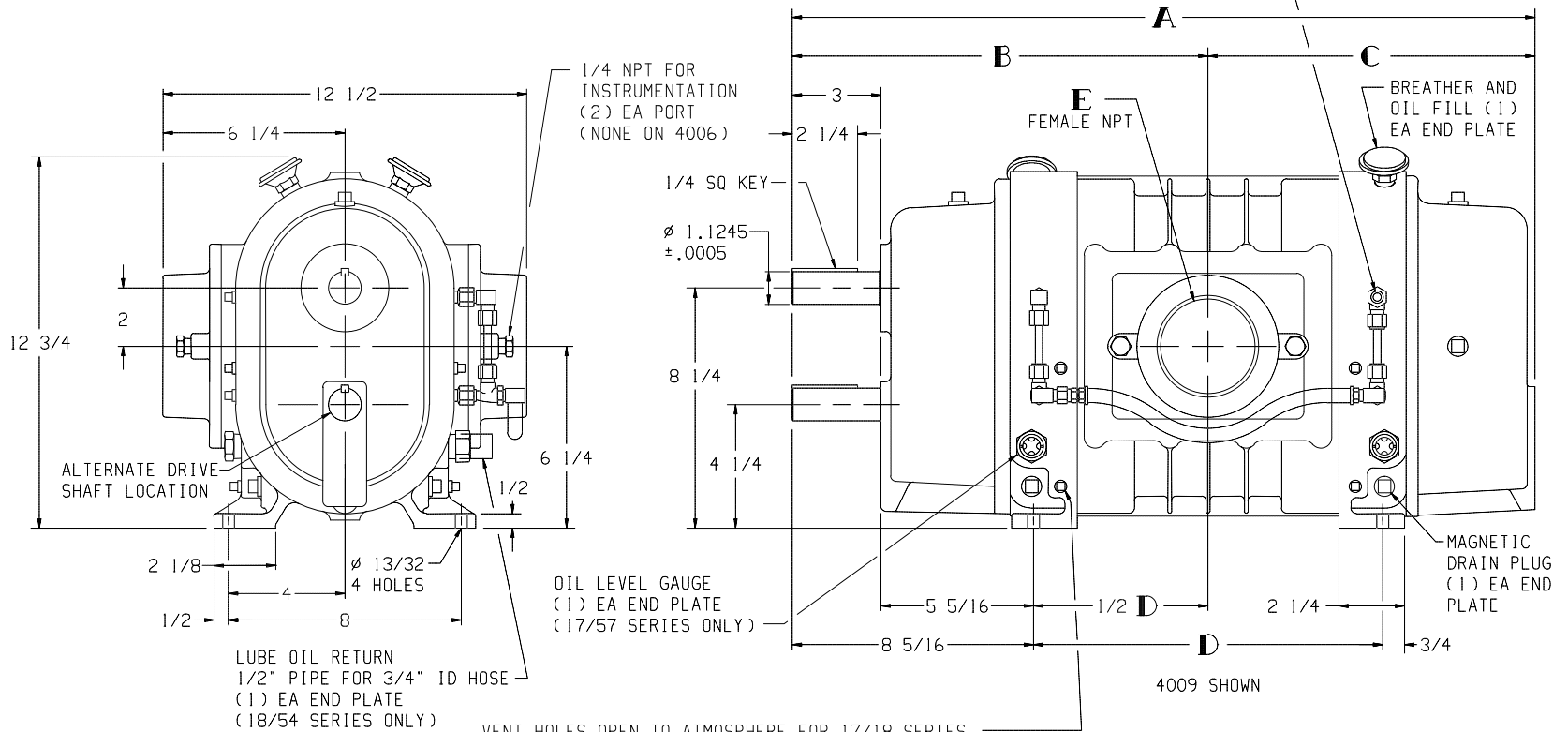


LTR	REVISION	DATE	DR	CH
-----	----------	------	----	----

MODEL	A	B	C	D	E	WT
4006	22 5/8	12 13/16	9 13/16	9	3	155
4009	25 5/8	14 5/16	11 5/16	12	3	175
4012	28 5/8	15 13/16	12 13/16	15	4	200

LUBE OIL INLET CONNECTION
7/16-20 STRAIGHT THREAD W/
45° FLARE FOR 1/4 O.D. TUBING
(18/54 SERIES ONLY)



REFER TO CURRENT MAINTENANCE MANUAL FOR SERVICE INSTRUCTIONS

Tuthill 800.825.6937

ROTARY BLOWER OUTLINE

SIZE: C2 4000-17/18/54/57

DR LB 1-13-95 CH CM 2-20-95