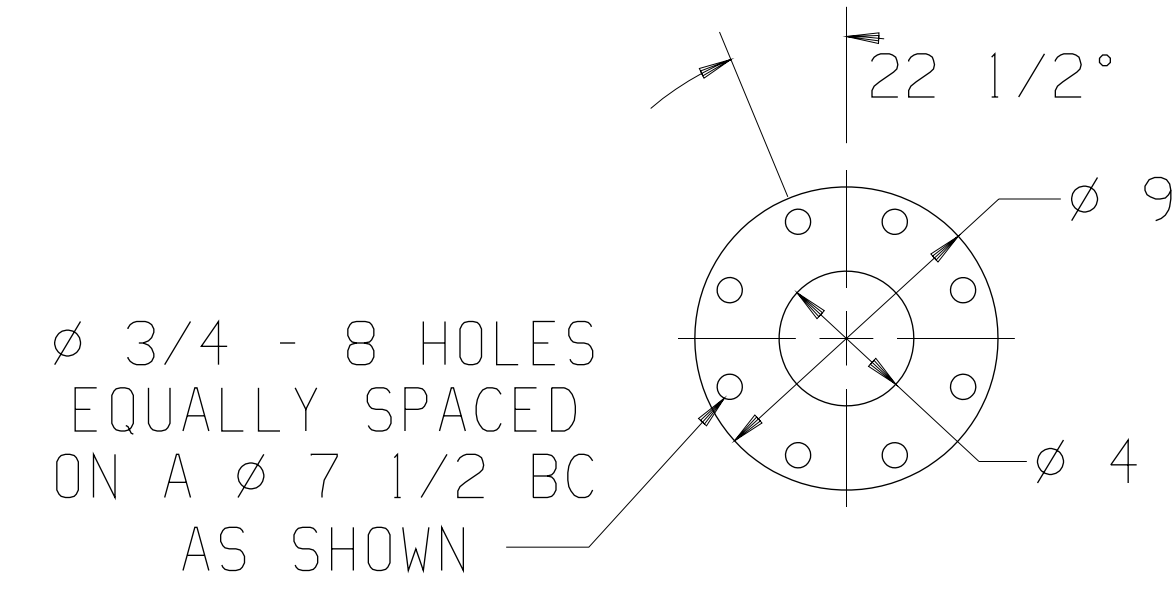
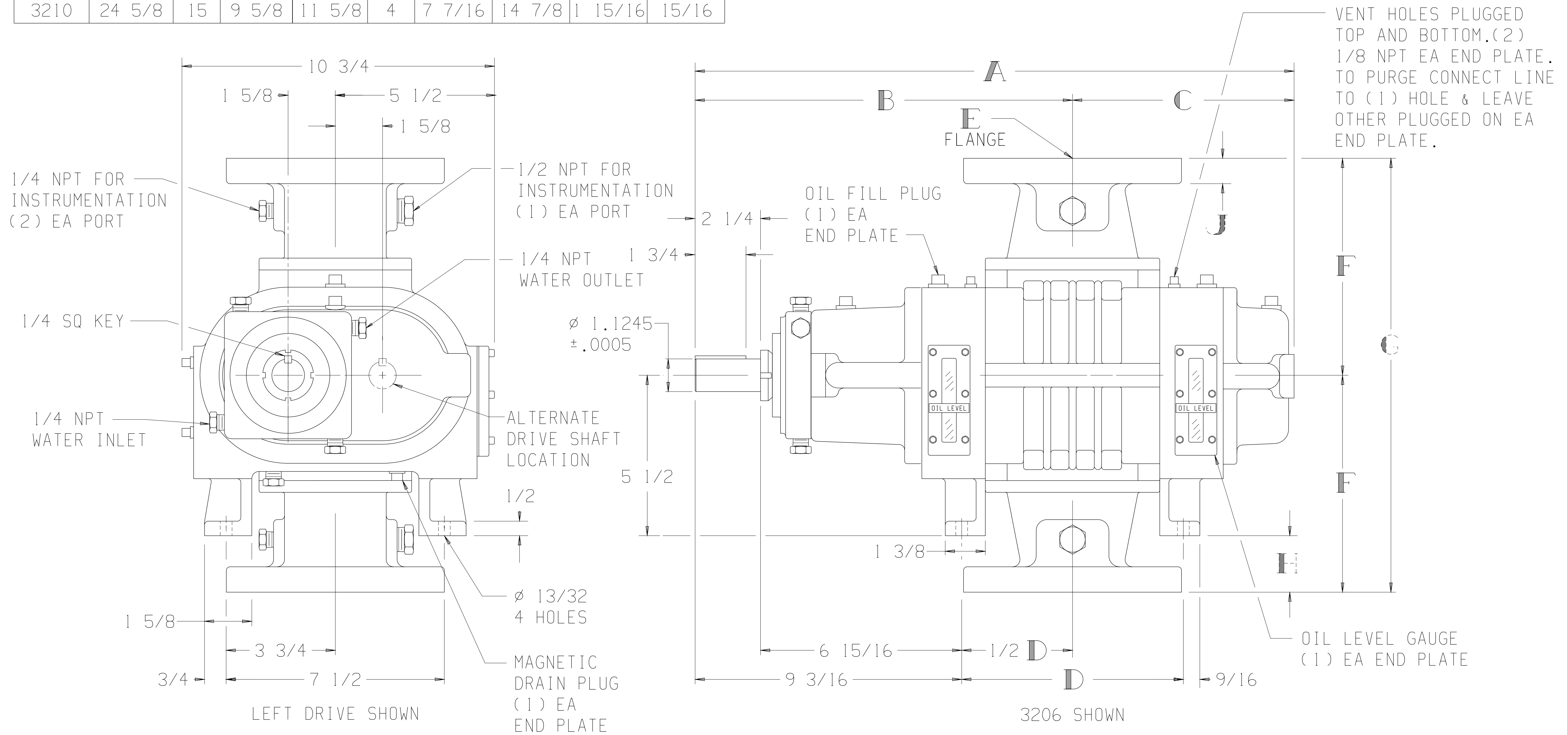
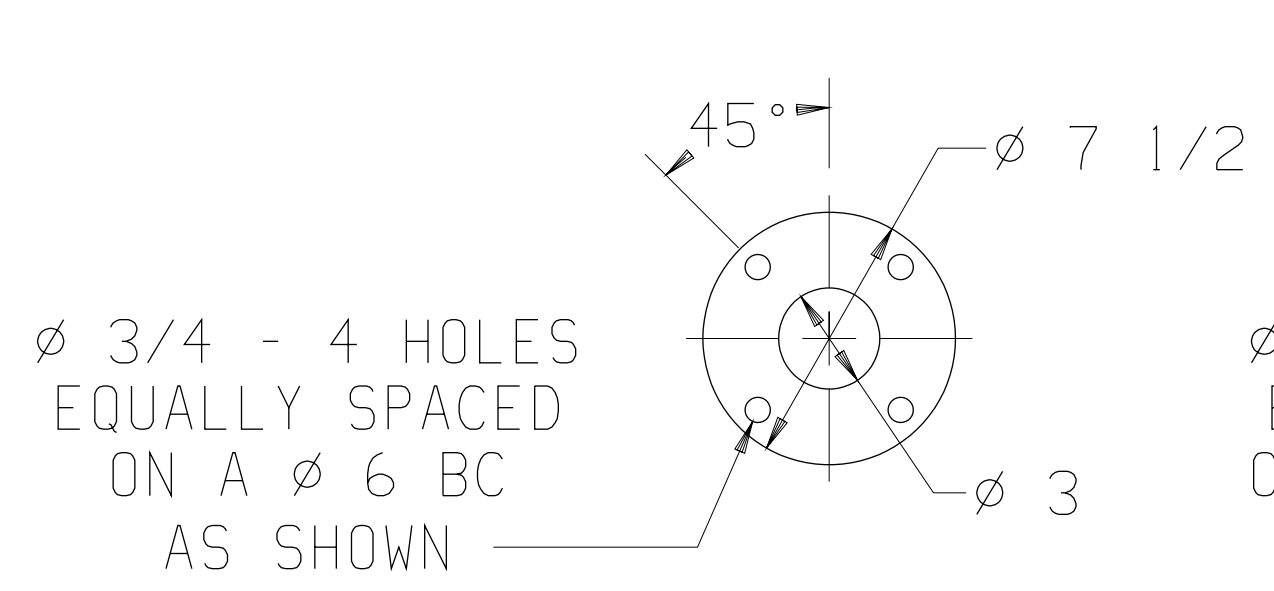


MODEL	A	B	C	D	E	F	G	H	J
3204	18 5/8	12	6 5/8	5 5/8	2	6 5/8	13 1/4	1 1/8	9/16
3206	20 5/8	13	7 5/8	7 5/8	3	7 7/16	14 7/8	1 15/16	7/8
3210	24 5/8	15	9 5/8	11 5/8	4	7 7/16	14 7/8	1 15/16	15/16

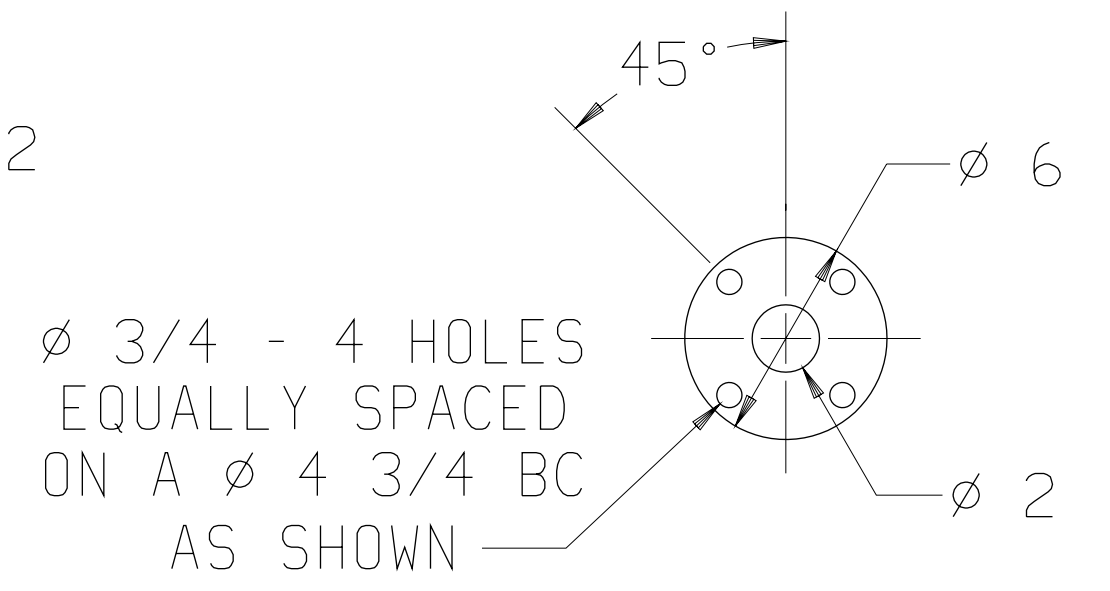
LTR	REVISION	DATE	DR	CH
A	ADDED 3204 TO TABLE (ECN 2253)	2-15-94	BD	LB
B	REVISED TAB DIM LETTERS AND ADDED ALTERNATE DRIVE SHAFT LOCATION (ECN 2990)	4-15-97	SM	CM



4" FLANGE
125/150 LB ANSI DRILLING



3" FLANGE
125/150 LB ANSI DRILLING



2" FLANGE
125/150 LB ANSI DRILLING

REFER TO CURRENT MAINTENANCE MANUAL FOR SERVICE INSTRUCTIONS

Tuthill 800.825.6937

BLOWER OUTLINE

SIZE: C2 3200-67 (FLG)

DR BD.8-6-92 CH LB 8-6-92