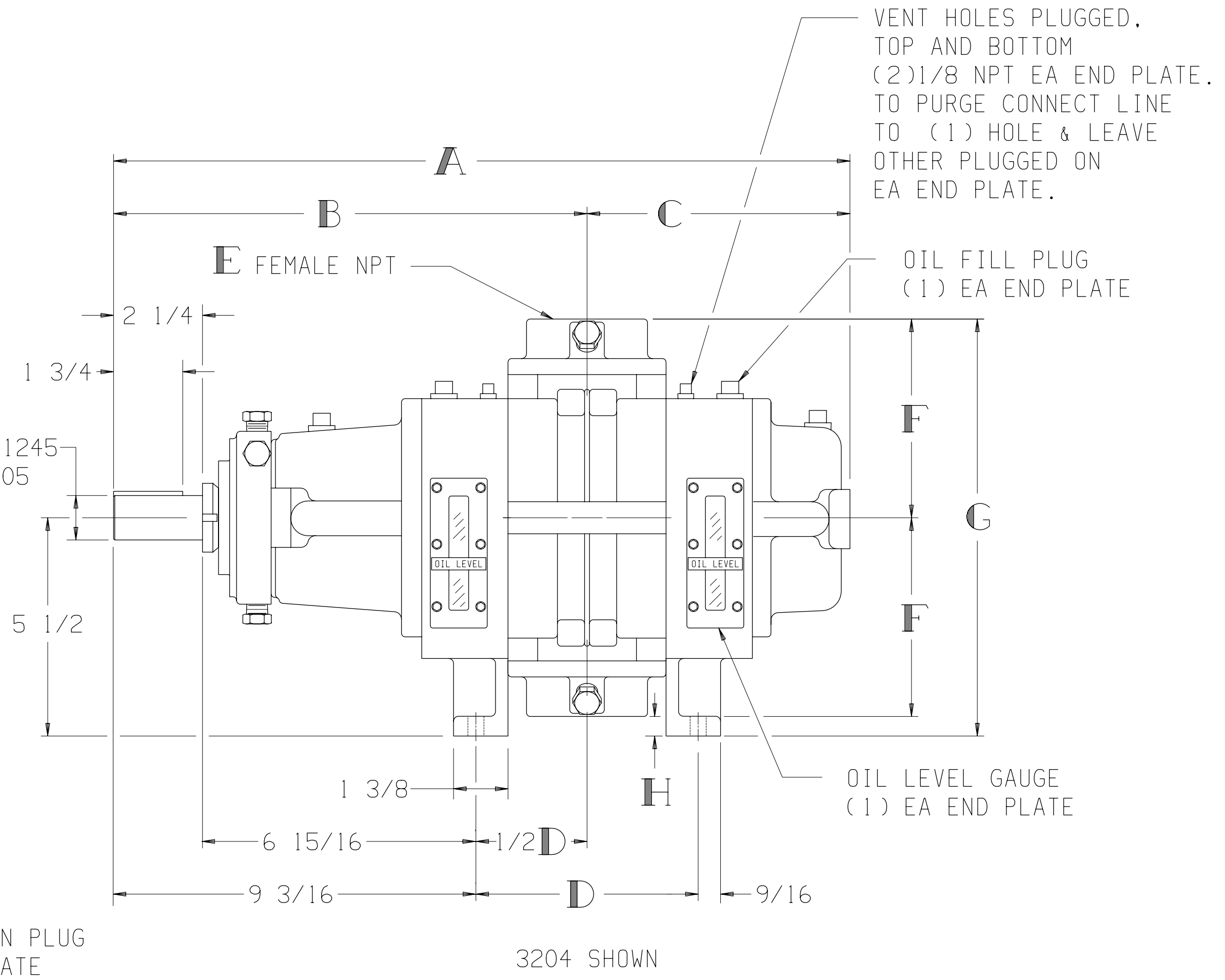
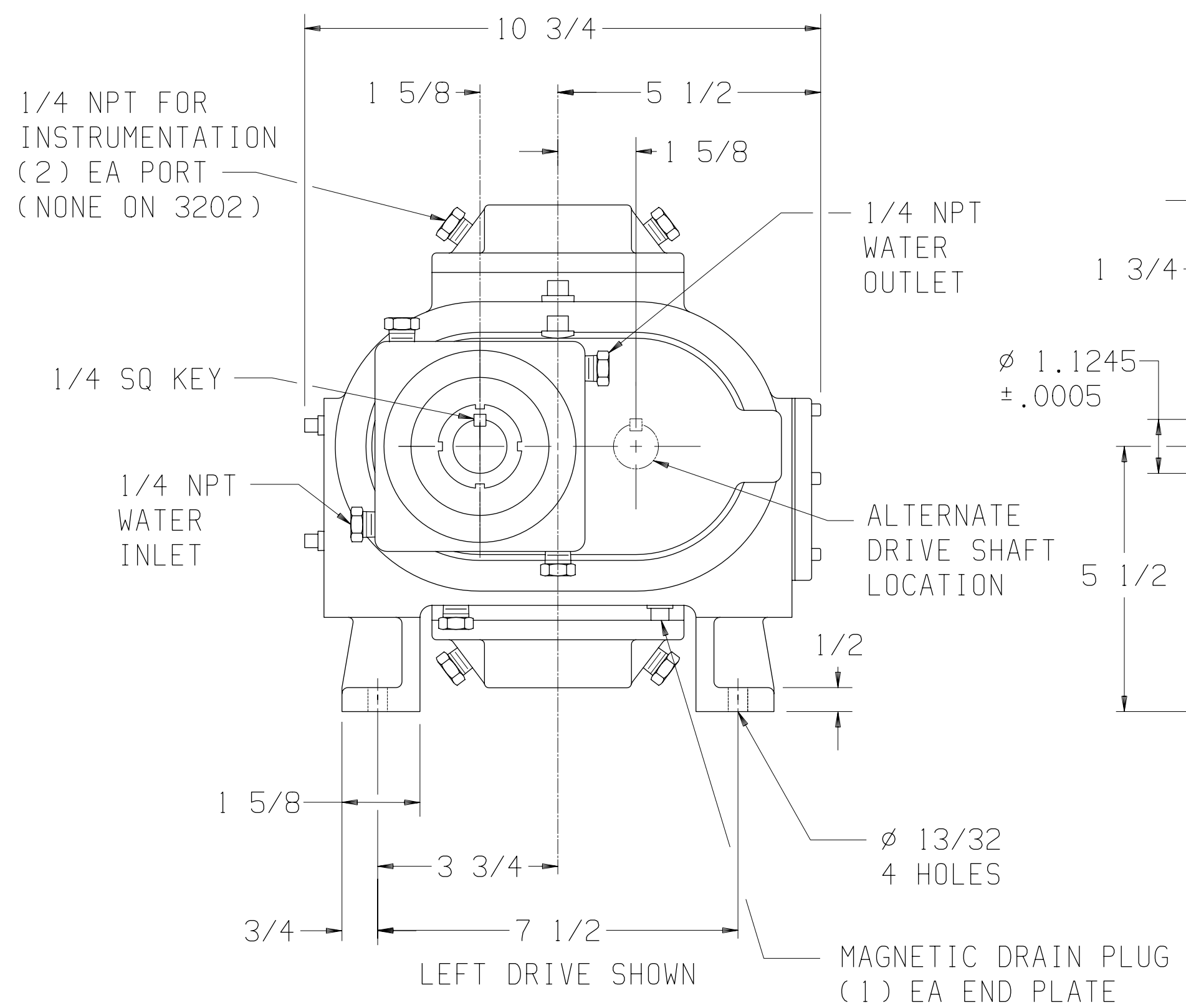


LTR	REVISION	DATE	DR	CH
C	REDRAWN PER LATEST STD'S (ECN 1643)	3-27-91	JS	LB
D	REVISED TAB DIM LETTERS AND ADDED ALTERNATE DRIVE SHAFT LOCATION (ECN 2990)	4-15-97	SM	CM

MODEL	A	B	C	D	E	F	G	H
3202	17 1/8	11 1/4	5 7/8	4 1/8	1 1/2	4	9 1/2	1 1/2
3204	18 5/8	12	6 5/8	5 5/8	2	5	10 1/2	1/2
3206	20 5/8	13	7 5/8	7 5/8	2 1/2	5	10 1/2	1/2
3210	24 5/8	15	9 5/8	11 5/8	3	5 1/2	11	—

3202 UNIT HAS PORT FITTINGS INTEGRAL WITH HOUSING



REFER TO CURRENT MAINTENANCE MANUAL FOR SERVICE INSTRUCTIONS

**Tuthill** 800.825.6937

ROTARY BLOWER OUTLINE

SIZE: C2	3200-67
DR JS 3-4-91	CH LB 3-27-91