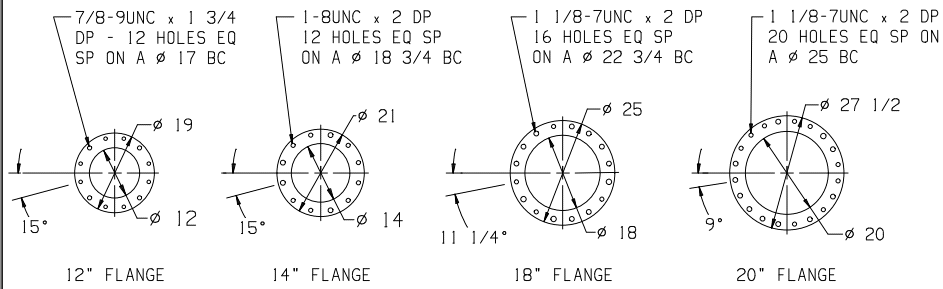
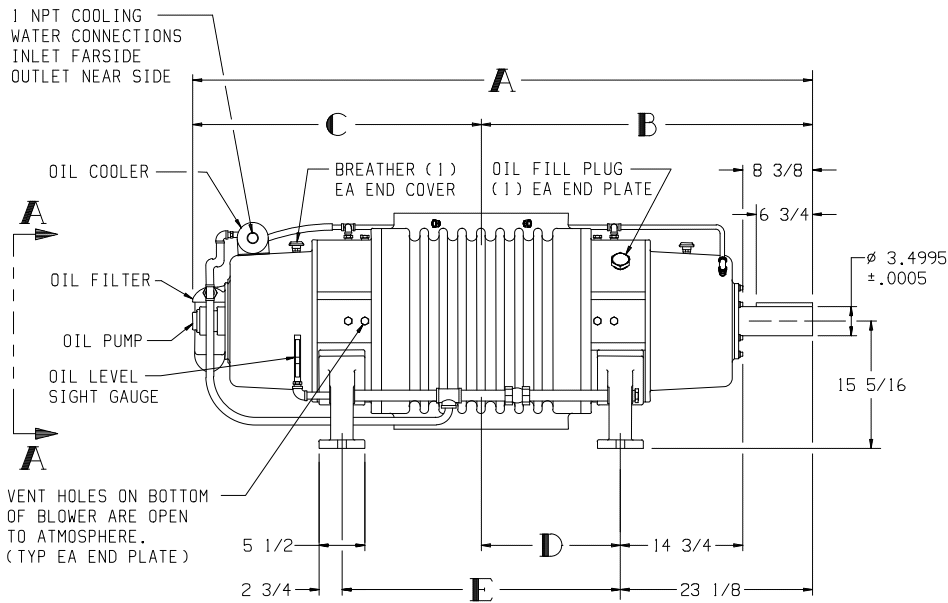


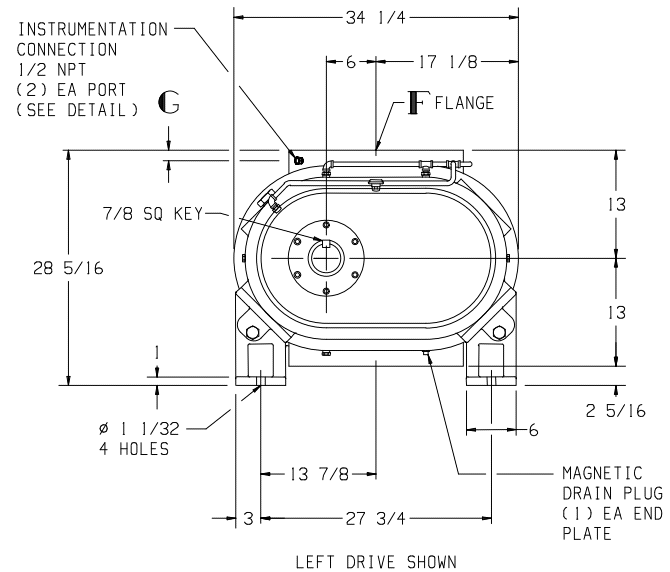
LTR	REVISION	DATE	DR	CH
C	REDRAWN PER LATEST STD'S (ECN 1643)	6-6-91	JS	LB



NOTE: ALL FLANGES 125/150 LB ANSI DRILLING

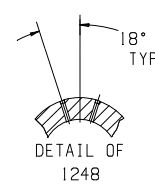
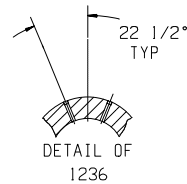
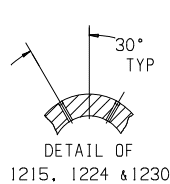
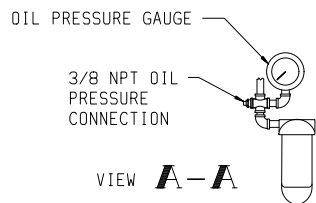


1224 SHOWN



LEFT DRIVE SHOWN

MODEL	A	B	C	D	E	F	G
1215	65 3/4	35 3/8	30 3/8	12 1/4	24 1/2	12	1 1/8
1224	74 3/4	39 7/8	34 7/8	16 3/4	33 1/2	14	1 1/4
1230	80 3/4	42 7/8	37 7/8	19 3/4	39 1/2	14	1 1/4
1236	86 3/4	45 7/8	40 7/8	22 3/4	45 1/2	18	2
1248	98 3/4	51 7/8	46 7/8	28 3/4	57 1/2	20	2



REFER TO CURRENT MAINTENANCE MANUAL FOR SERVICE INSTRUCTIONS.

800.825.6937
 ROTARY BLOWER OUTLINE

SIZE: C2	1200-86
DR JS 6-6-91	CH LB 3-31-92