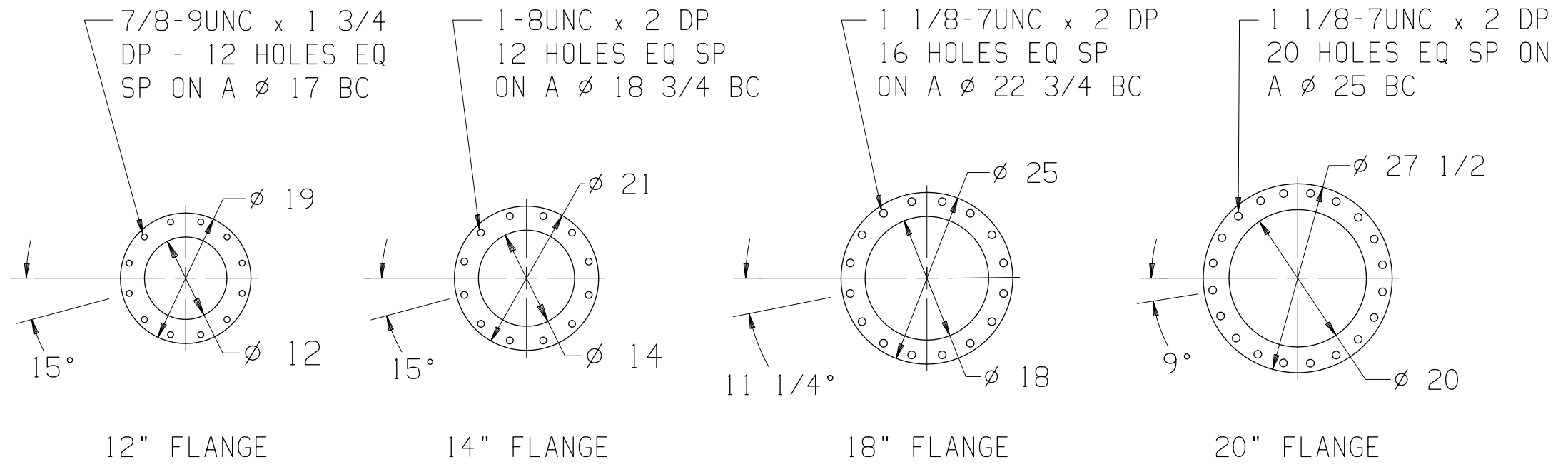
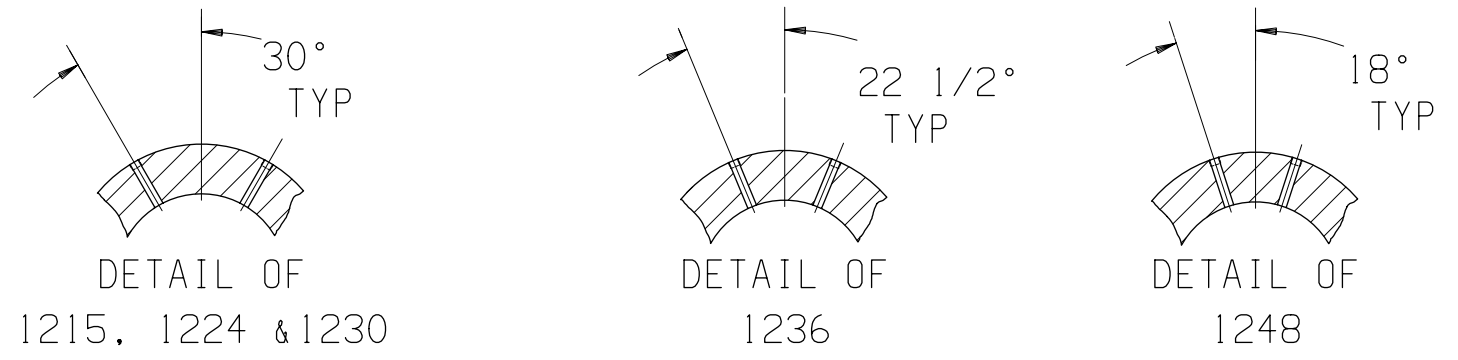
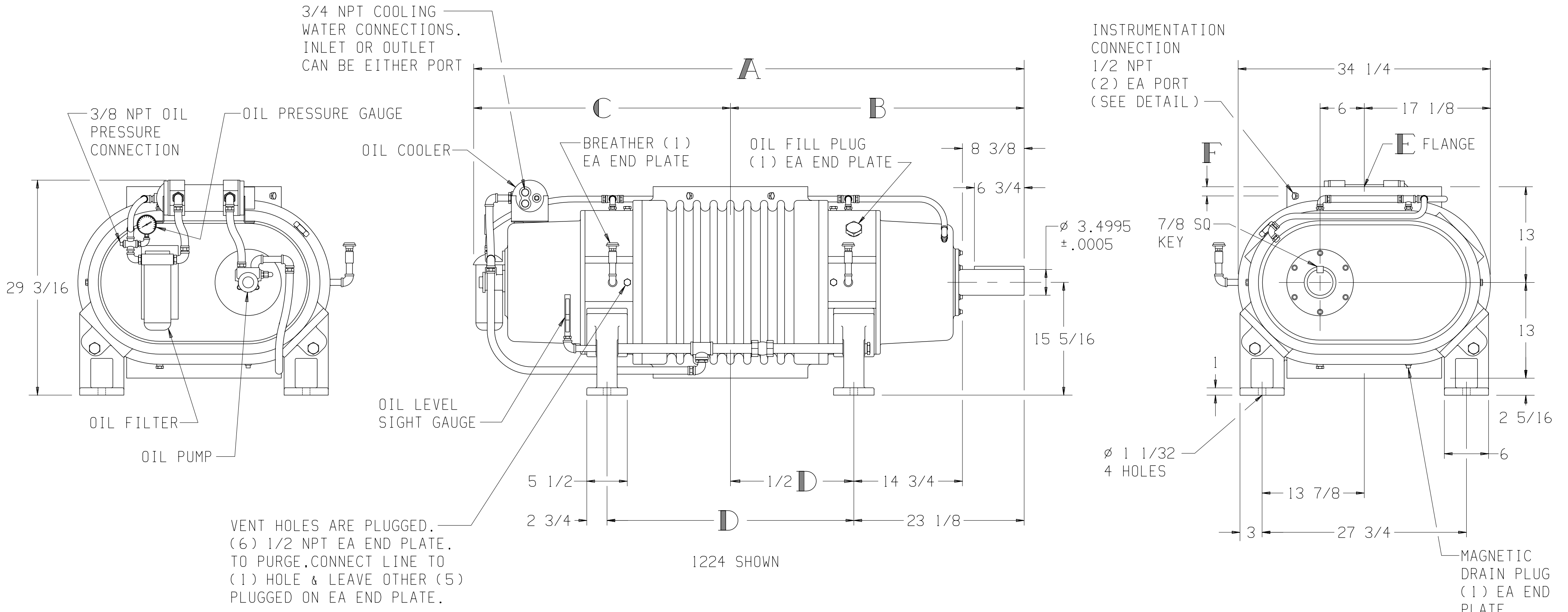


LTR	REVISION	DATE	DR	CH
B	REDRAWN PER LATEST STD'S (ECN 1643)	6-5-91	JS	LB
C	UPDATED LETTERS: MOVED BREATHERS FROM COVERS; ROTATED COOLER CONNS FROM HORIZ POSITION; ADDED BACK END VIEW (ECN 5554)	10-29-09	CM	BD



NOTE: ALL FLANGES 125/150 LB ANSI DRILLING

MODEL	A	B	C	D	E	F
1215	65 3/4	35 3/8	30 3/8	24 1/2	12	1 1/8
1224	74 3/4	39 7/8	34 7/8	33 1/2	14	1 1/4
1230	80 3/4	42 7/8	37 7/8	39 1/2	14	1 1/4
1236	86 3/4	45 7/8	40 7/8	45 1/2	18	2
1248	98 3/4	51 7/8	46 7/8	57 1/2	20	2



REFER TO CURRENT MAINTENANCE MANUAL FOR SERVICE INSTRUCTIONS.

Tuthill 800.825.6937

ROTARY BLOWER OUTLINE

1200-82

DR JS 6-5-91 CH LB 3-31-92

SIZE: C2 SCALE: 3/32 WT LBS