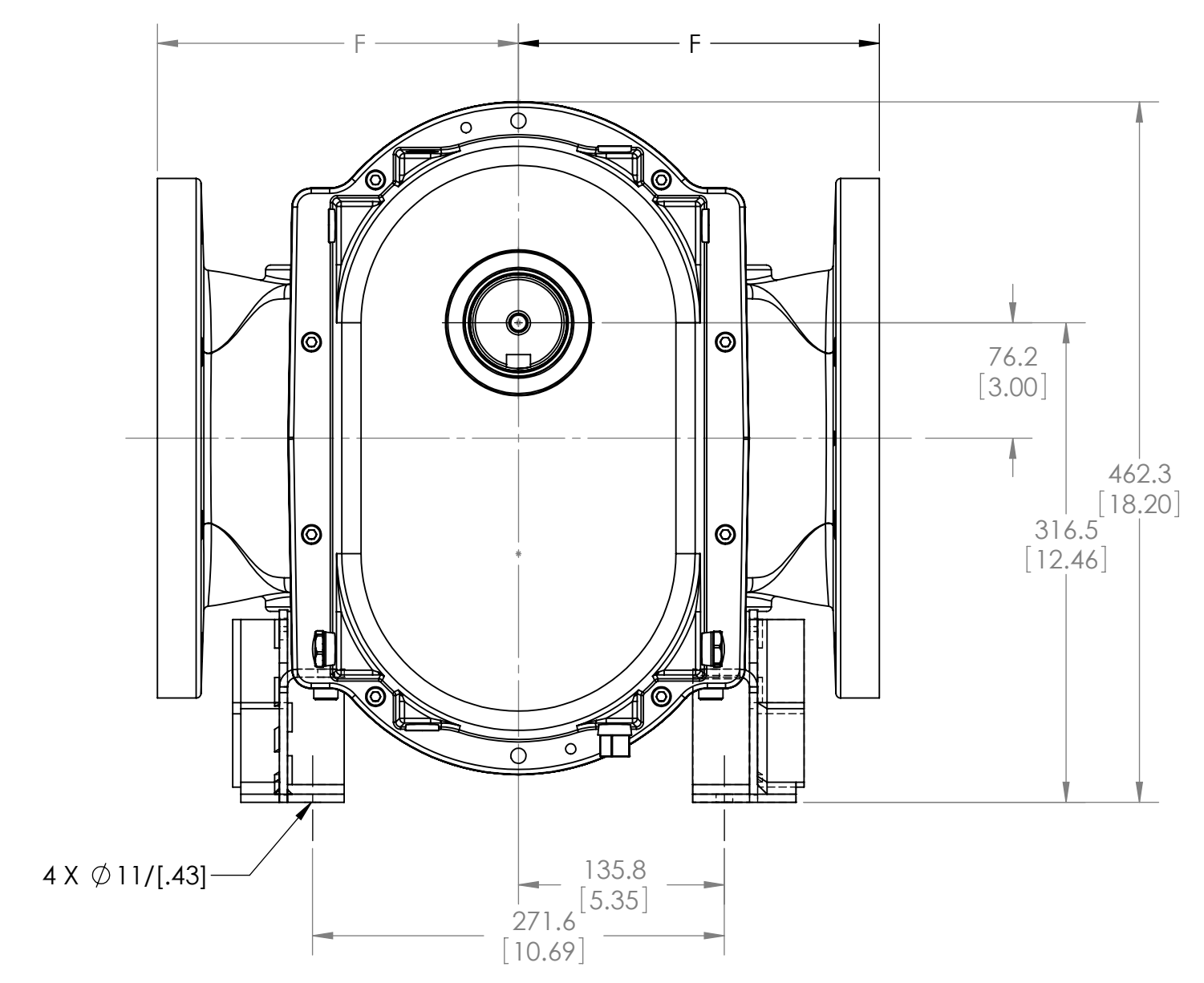


NOTICE OF CONFIDENTIAL INFORMATION

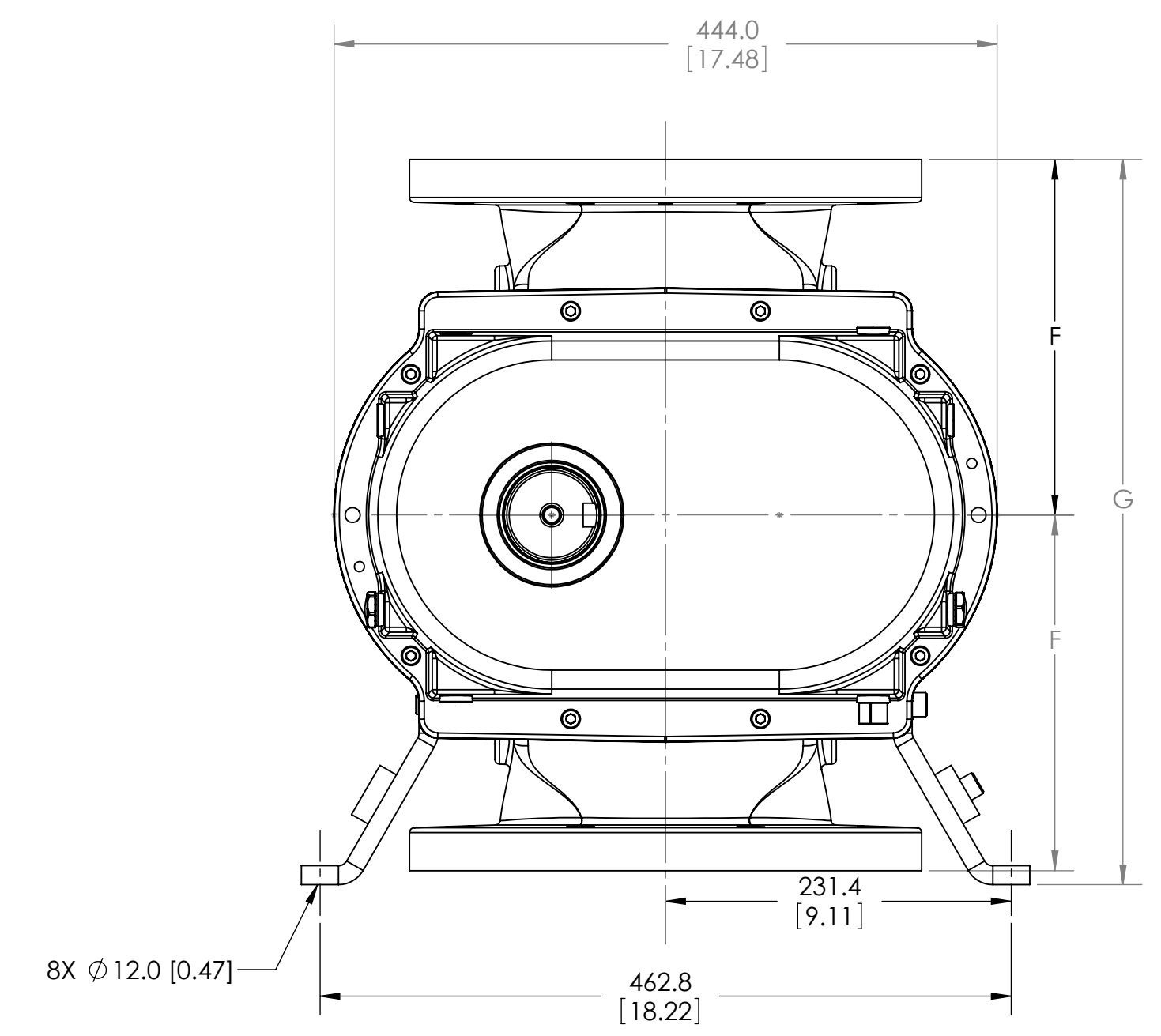
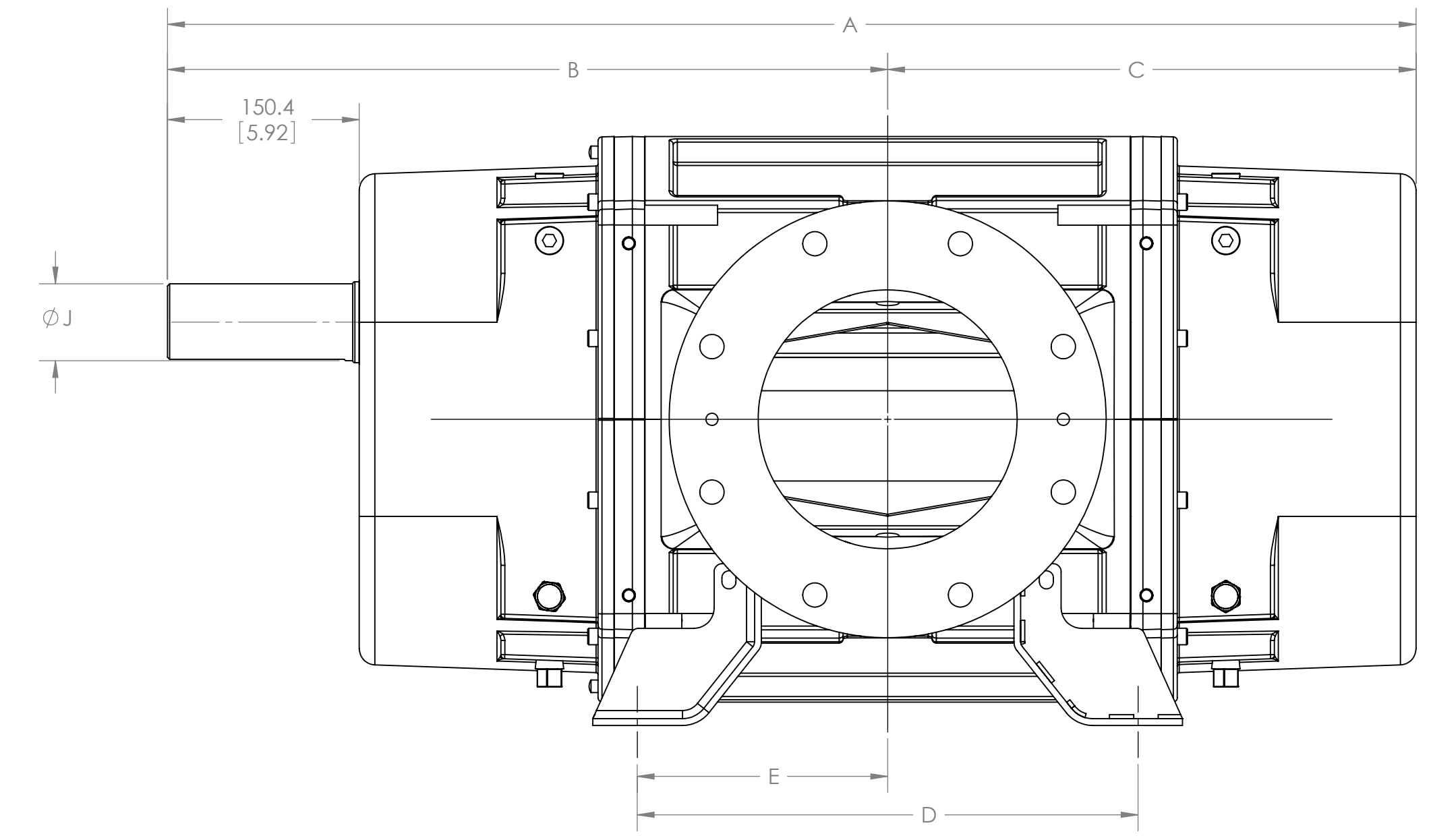
INFORMATION CONTAINED HEREIN IS CONFIDENTIAL AND IS THE PROPERTY OF THE TUTHILL CORPORATION. WHERE FURNISHED WITH A PROPOSAL THE RECIPIENT SHALL USE IT SOLELY TO EVALUATE THE PROPOSAL. WHERE FURNISHED TO A CUSTOMER IT SHALL BE USED SOLELY FOR THE PURPOSES OF INSPECTION, INSTALLATION OR MAINTENANCE. WHERE FURNISHED TO A SUPPLIER IT SHALL BE USED SOLELY IN THE PERFORMANCE OF WORK CONTRACTED FOR BY THE COMPANY. THE INFORMATION SHALL NOT BE USED OR DISCLOSED BY THE RECIPIENT FOR ANY OTHER PURPOSE WHATSOEVER.

REV.	ECN	DESCRIPTION	DATE	DR	CK
A	5499	CHANGED LABELING SCHEME TO MATCH PAST OUTLINE DRAWINGS, AND I WAS 147.2/[5.80], WAS 4X Ø111[4.3], WAS 135.8/[5.35], WAS 271.6/[10.69]	7/10/2009	MB	RR
B	6099	ADDED HOLE DETAILS	5/17/2012	CRJ	cj

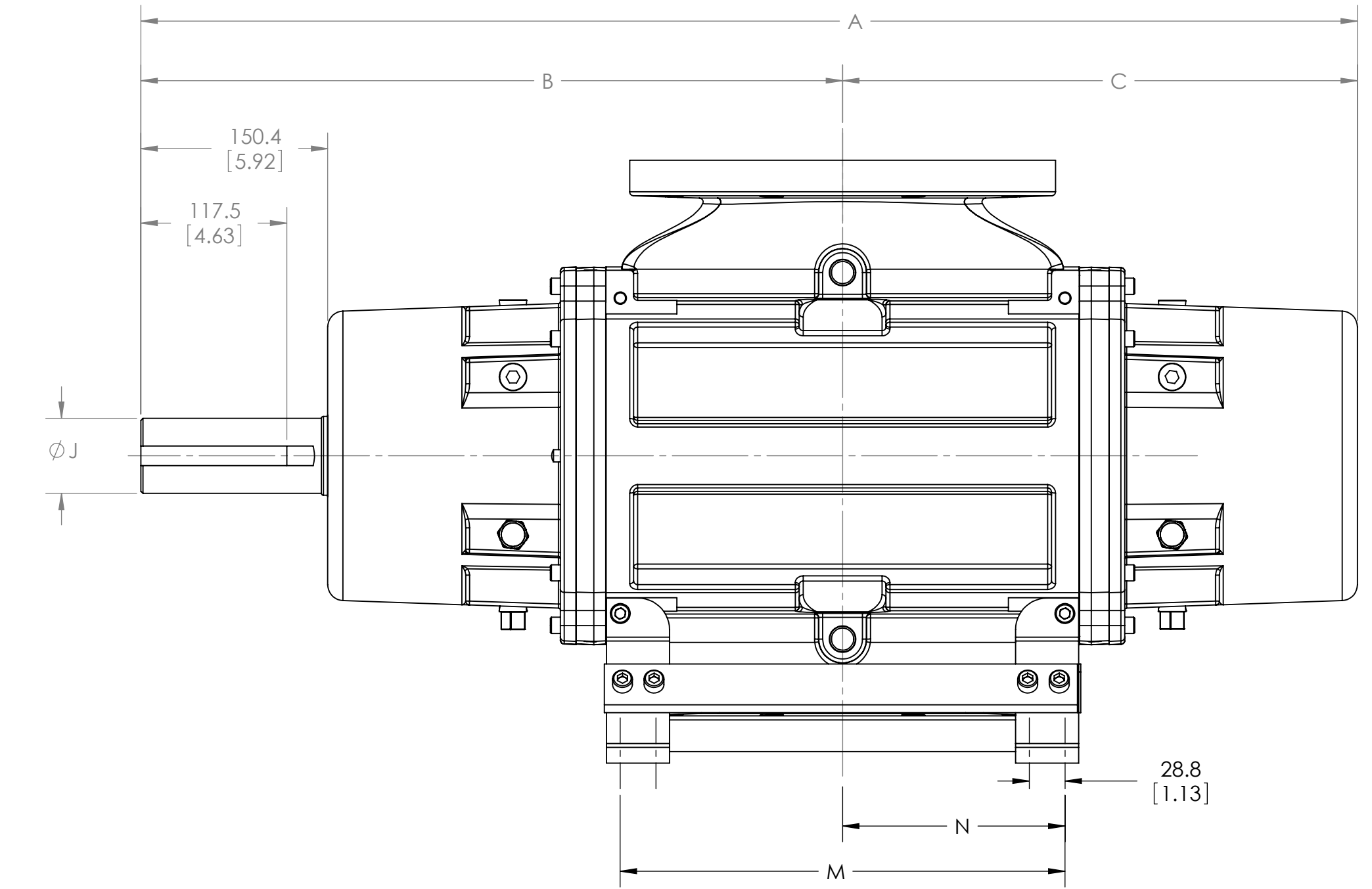
MODEL	A	B	C	D	E	F	G	J	M	N	KEYWAY	FLANGE	BOLT HOLE SIZE	NO OF HOLES
6009	825.6 / [32.51]	487.3/[19.18]	338.4 / [13.32]	240.5 / [9.47]	120.3 / [4.73]	238.1 / [9.38]	481.0/[18.94]	60.3 / [2.38]	205.7 / [8.10]	102.9 / [4.05]	15.88 / [.625] SQUARE	ANSI 8 in., CLASS 150	3/4-10UNC	8
6009M	825.6 / [32.51]	487.3/[19.18]	338.4 / [13.32]	240.5 / [9.47]	120.3 / [4.73]	238.1 / [9.38]	481.0/[18.94]	60.0 / [2.36]	205.7 / [8.10]	102.9 / [4.05]	18.00x11.00 / [.709x.433]	DIN 200mm, RATING 10	M20-2.5	8
6015	978.0 / [38.51]	563.4 / [22.18]	414.6 / [16.32]	393.0 / [15.47]	196.5 / [7.74]	238.1 / [9.38]	481.0/[18.94]	60.3 / [2.38]	358.2 / [14.10]	179.1 / [7.05]	15.88 / [.625] SQUARE	ANSI 8 in., CLASS 150	3/4-10UNC	8
6015M	978.0 / [38.51]	563.4 / [22.18]	414.6 / [16.32]	393.0 / [15.47]	196.5 / [7.74]	238.1 / [9.38]	481.0/[18.94]	60.0 / [2.36]	358.2 / [14.10]	179.1 / [7.05]	18.00x11.00 / [.709x.433]	DIN 200mm, RATING 10	M20-2.5	8



HORIZONTAL



VERTICAL



METRIC [US CUSTOMARY]

TOLERANCES

METRIC	U.S. CUSTOMARY
X = ±.5mm	
X = ±.25mm	XX = ±.01
.XX = ±.15mm	.XXX = ±.005
.XXX = ±.015mm	.XXXX = ±.0005
ANGULAR = ±1/2 DEG	CHAMFERS = ±2 DEG

BREAK ALL SHARP EDGES, CORNERS, DEBURR, AND CLEAN

APPLICATION	
NEXT ASSY	USED ON
APPROVALS	DATE
DRAWN EJK	7/21/05
CHECKED	

Tuthill VACUUM & BLOWER SYSTEMS

TITLE: **BLOWER ASSEMBLY**

SIZE DWG NO. QX-6000

SCALE 1:4 WEIGHT LB SHEET 1 OF 1

REV B

