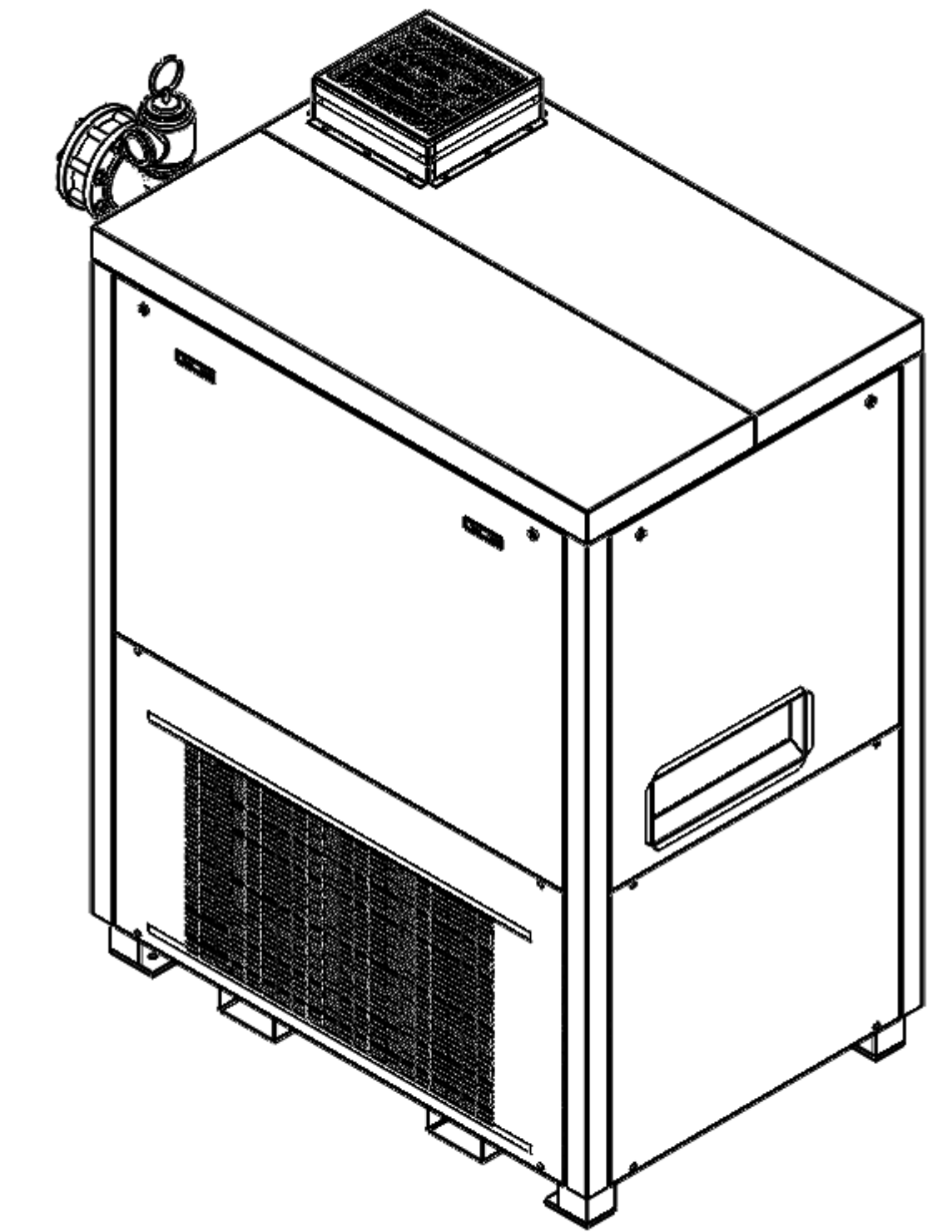
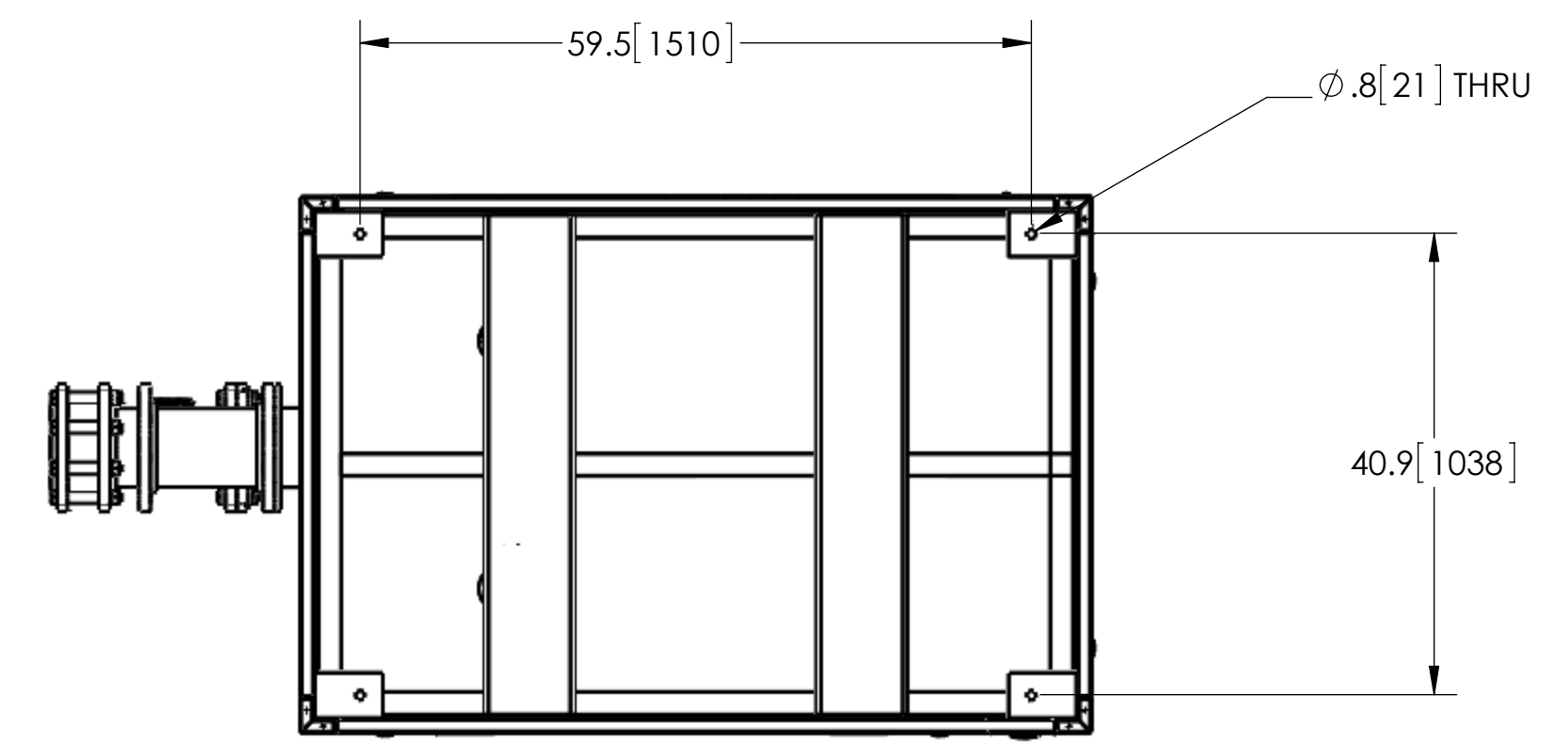
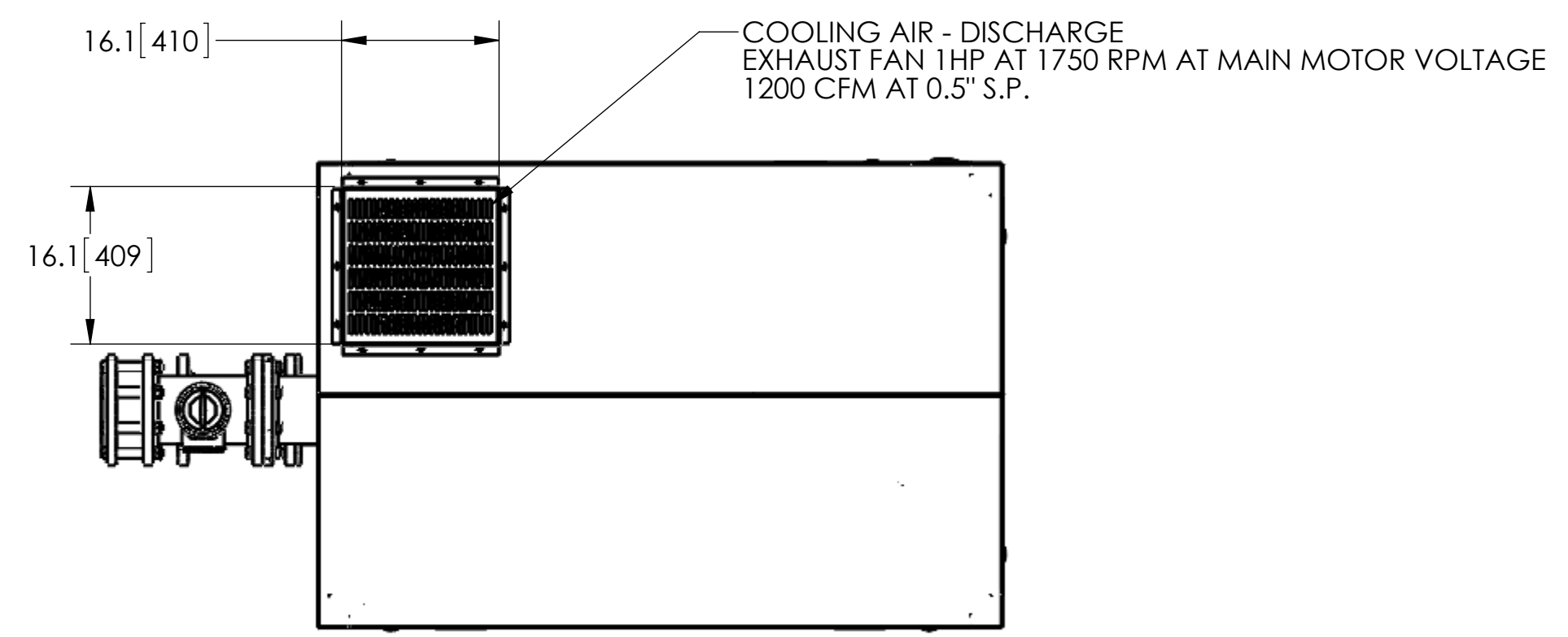
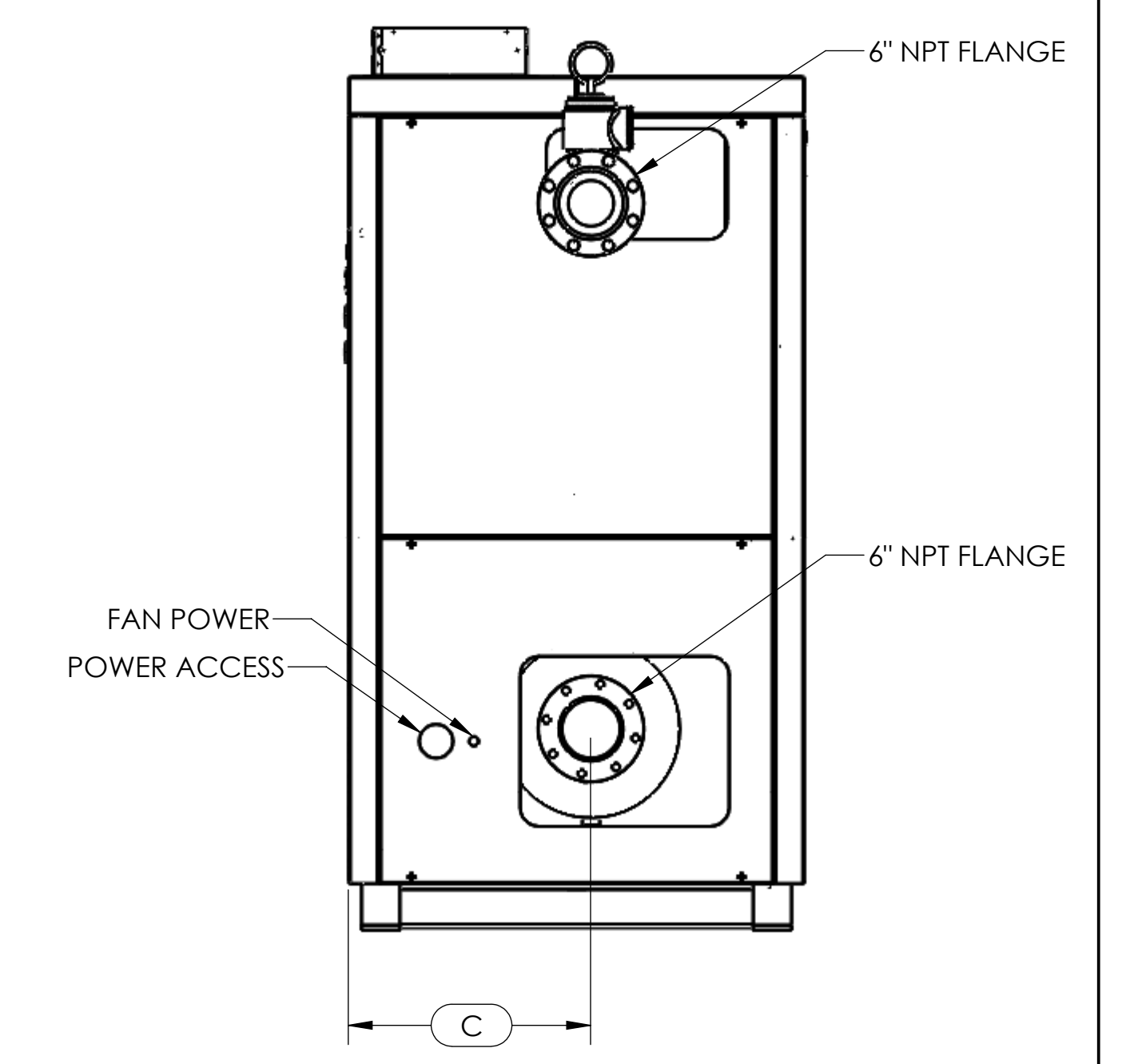
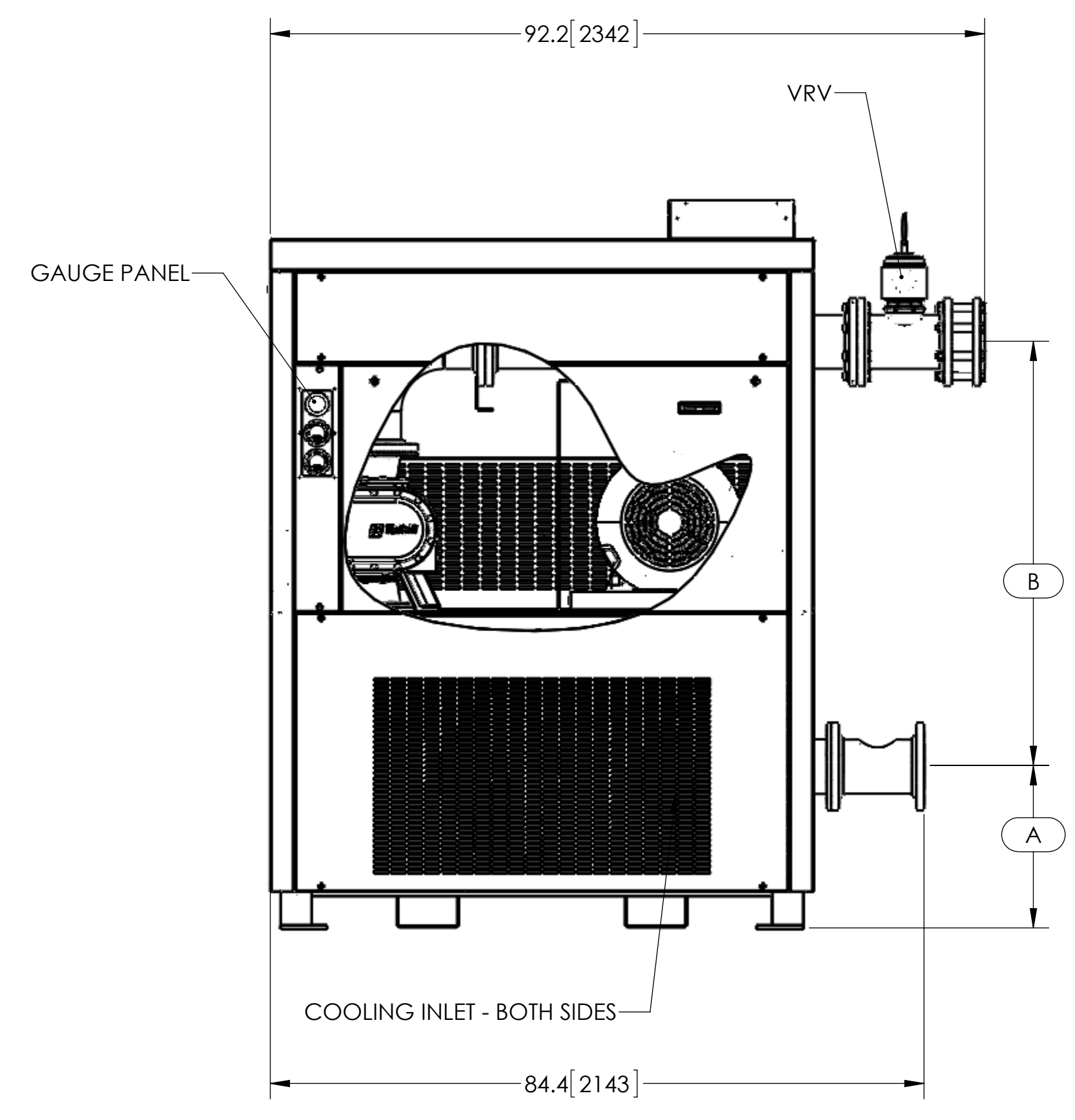
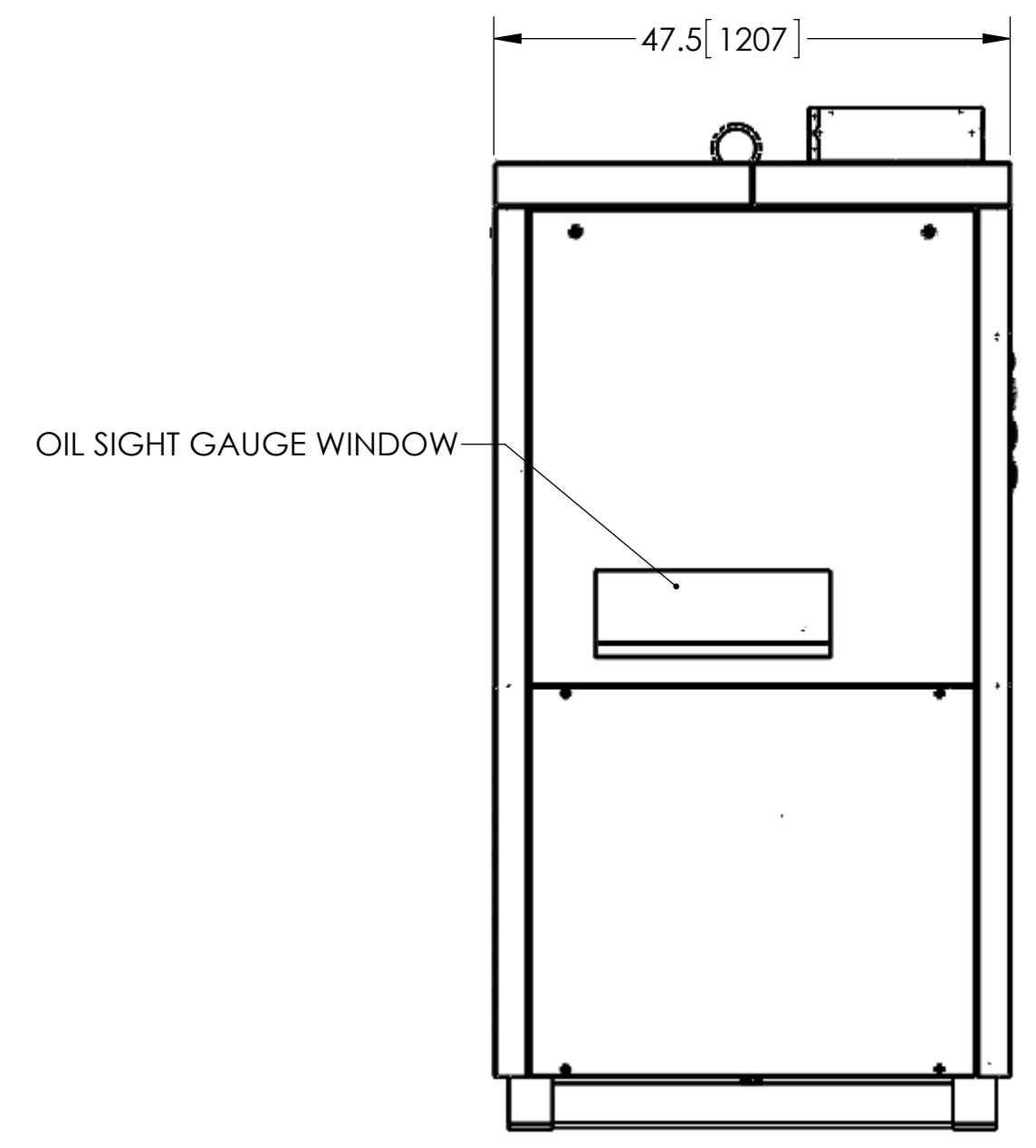
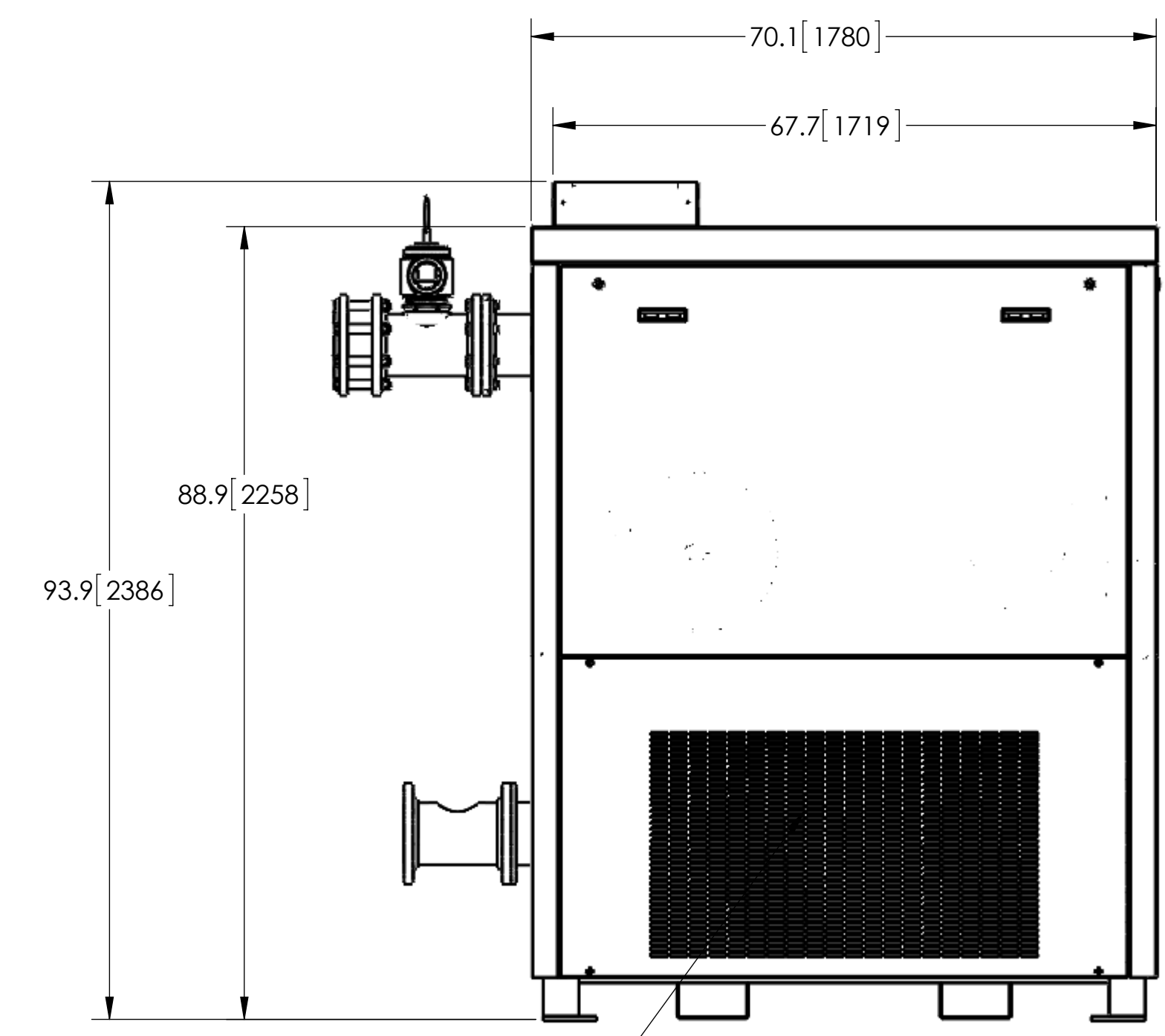


NOTICE OF CONFIDENTIAL INFORMATION

INFORMATION CONTAINED HEREIN IS CONFIDENTIAL AND IS THE PROPERTY OF THE TUTHILL CORPORATION. WHERE FURNISHED WITH A PROPOSAL THE RECIPIENT SHALL USE IT SOLELY TO EVALUATE THE PROPOSAL. WHERE FURNISHED TO A CUSTOMER IT SHALL BE USED SOLELY FOR THE PURPOSES OF INSPECTION, INSTALLATION OR MAINTENANCE. WHERE FURNISHED TO A SUPPLIER IT SHALL BE USED SOLELY IN THE PERFORMANCE OF WORK CONTRACTED FOR BY THE COMPANY. THE INFORMATION SHALL NOT BE USED OR DISCLOSED BY THE RECIPIENT FOR ANY OTHER PURPOSE WHATSOEVER.



PD5511 MODEL SHOWN FOR REFERENCE



COOLING AIR INLET - BOTH SIDES

COOLING INLET - BOTH SIDES

BLOWER MODEL	A	B	C
PD5507	20.9[532]	54.7[1391]	27.0[686]
PD5511	20.9[532]	54.7[1391]	25.3[642]
CP5009	17.9[454]	57.7[1467]	32.2[819]
CP6008	17.5[444]	58.2[1478]	31.5[801]
QX4610	23.4[595]	55.0[1397]	26.5[674]
QX6009	19.6[498]	55.9[1421]	25.3[643]

THIRD ANGLE PROJECTION	APPLICATION		VACUUM & BLOWER SYSTEMS
	NEXT ASSY	USED ON	
	APPROVALS	DATE	TITLE
			MP10 ENCLOSURE GENERAL ARRANGEMENT
DRAWN	SIZE DWG NO.		REV
CHECKED	D GA-MP10VE		A
SCALE 1:16		WEIGHT LB	SHEET 1 OF 1