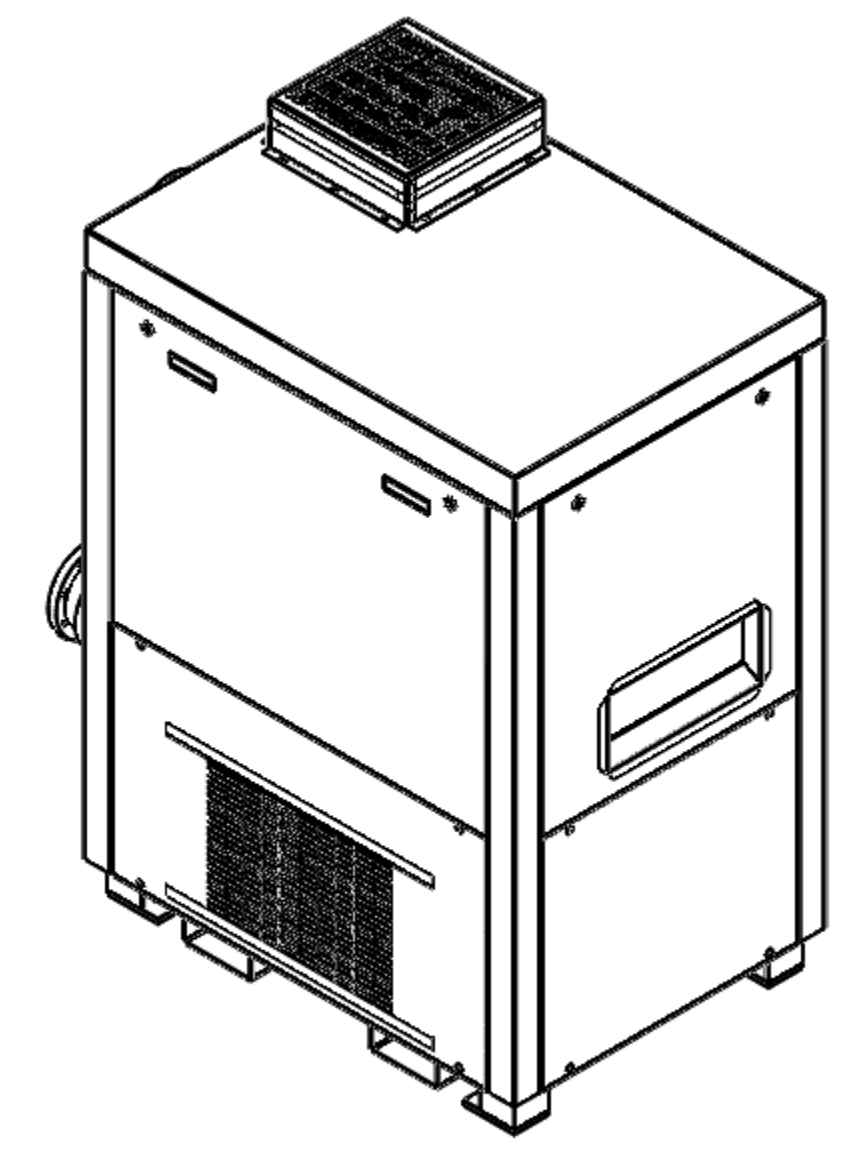
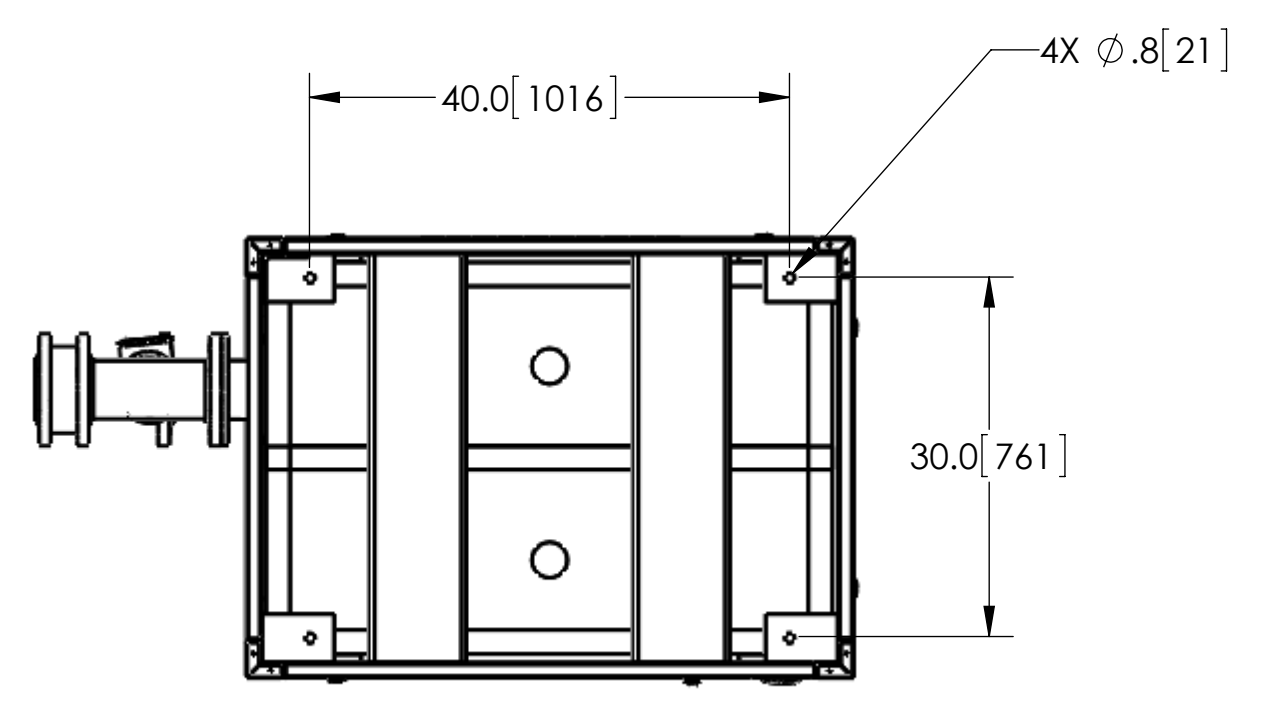
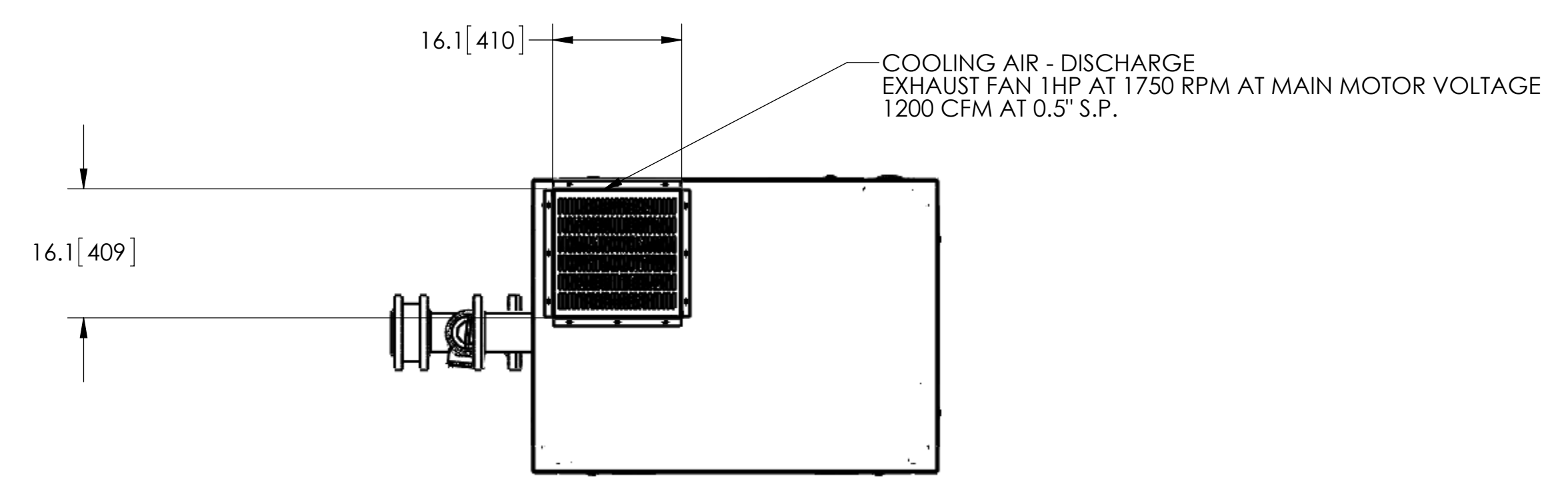
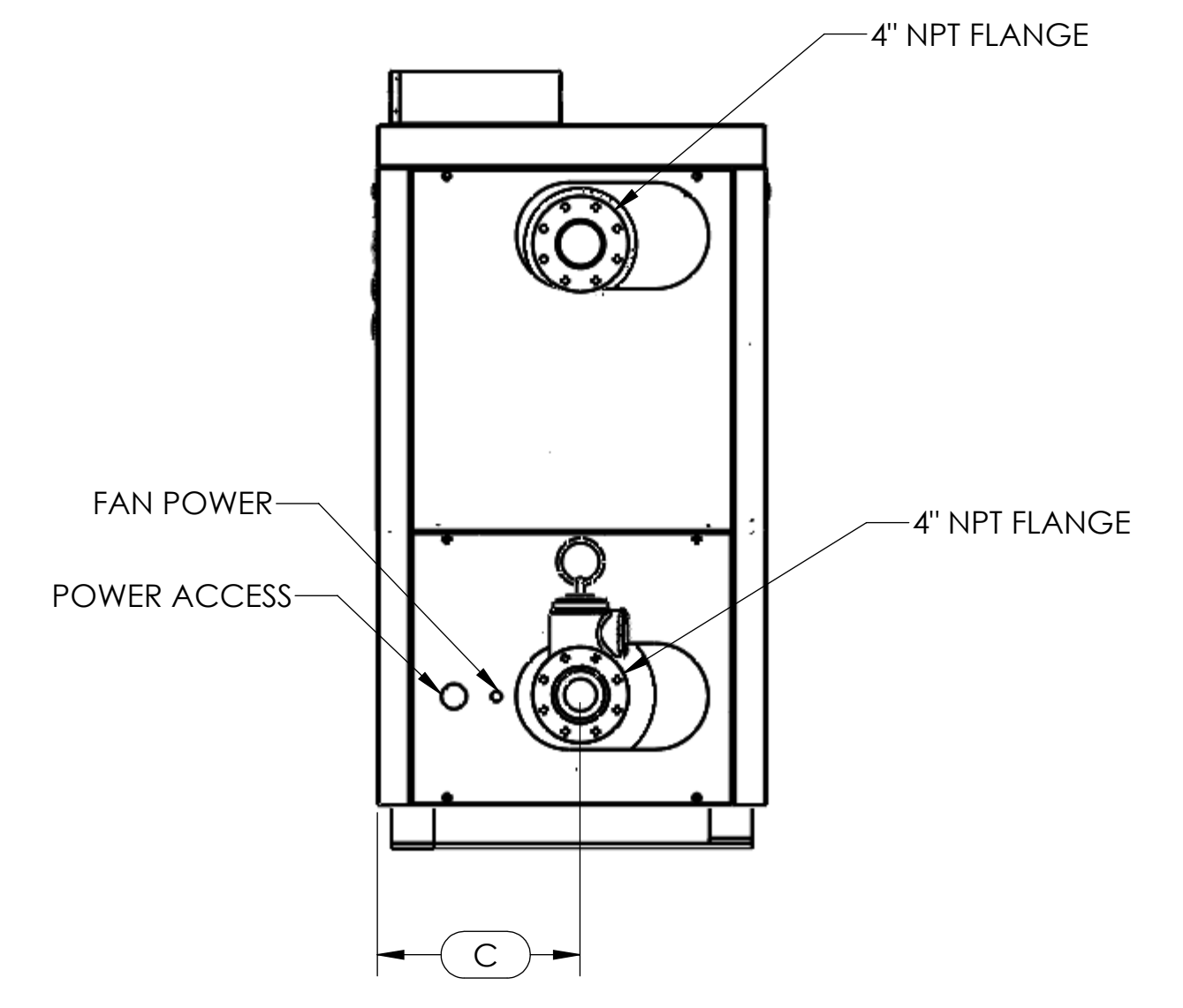
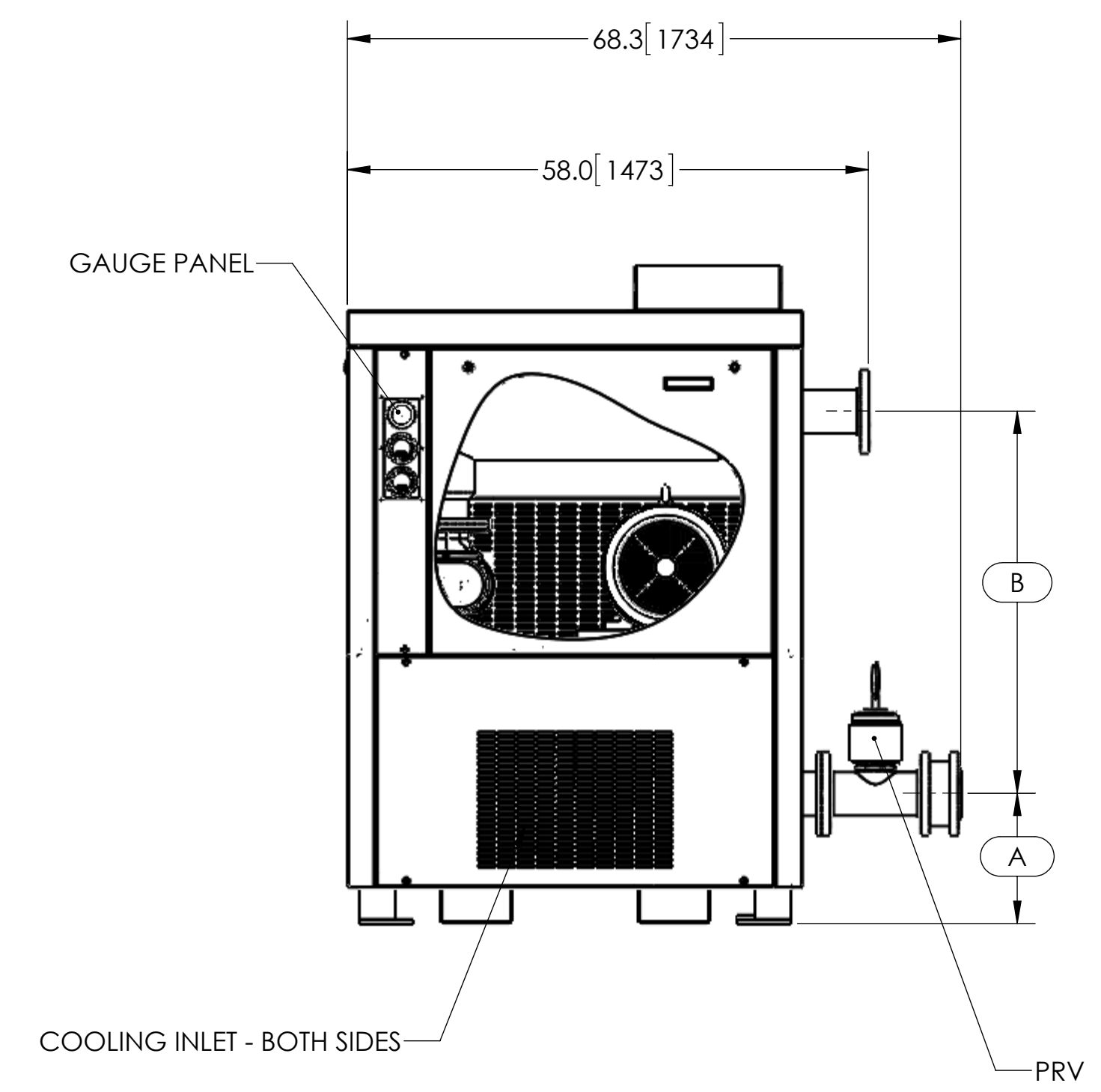
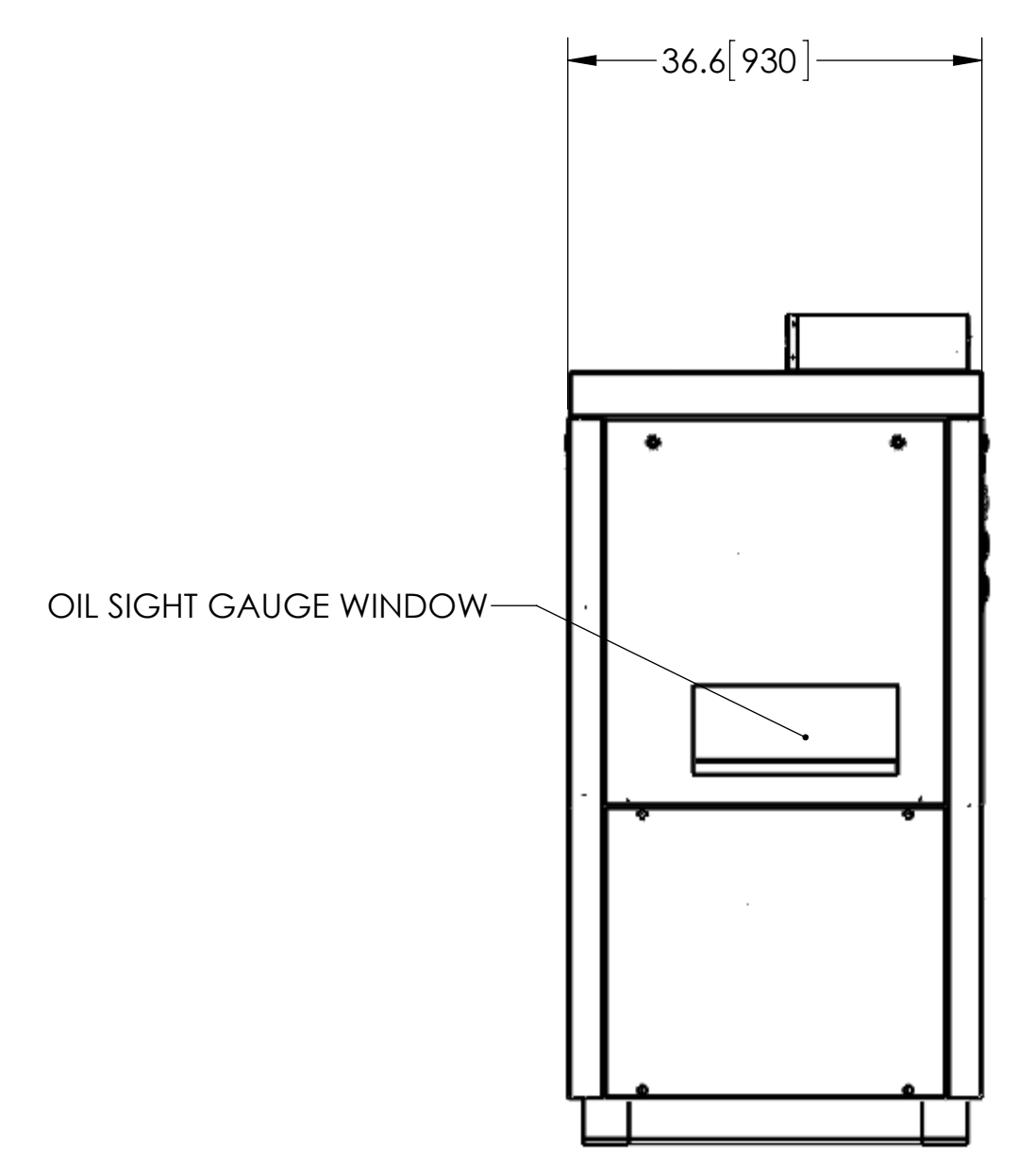
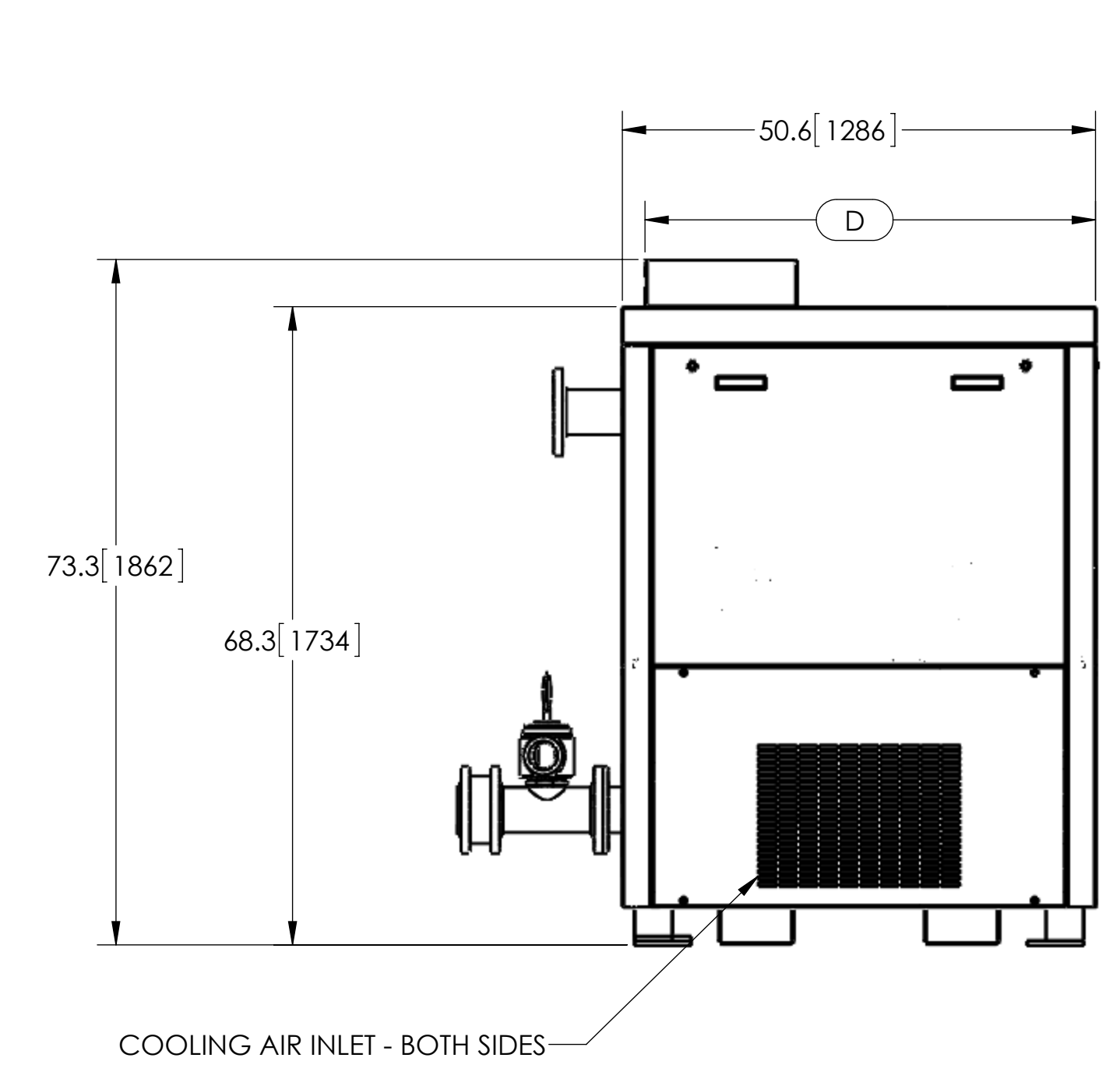


NOTICE OF CONFIDENTIAL INFORMATION

INFORMATION CONTAINED HEREIN IS CONFIDENTIAL AND IS THE PROPERTY OF THE TUTHILL CORPORATION. WHERE FURNISHED WITH A PROPOSAL THE RECIPIENT SHALL USE IT SOLELY TO EVALUATE THE PROPOSAL. WHERE FURNISHED TO A CUSTOMER IT SHALL BE USED SOLELY FOR THE PURPOSES OF INSPECTION, INSTALLATION OR MAINTENANCE. WHERE FURNISHED TO A SUPPLIER IT SHALL BE USED SOLELY IN THE PERFORMANCE OF WORK CONTRACTED FOR BY THE COMPANY. THE INFORMATION SHALL NOT BE USED OR DISCLOSED BY THE RECIPIENT FOR ANY OTHER PURPOSE WHATSOEVER.



QX 3208 MODEL SHOWN FOR REFERENCE

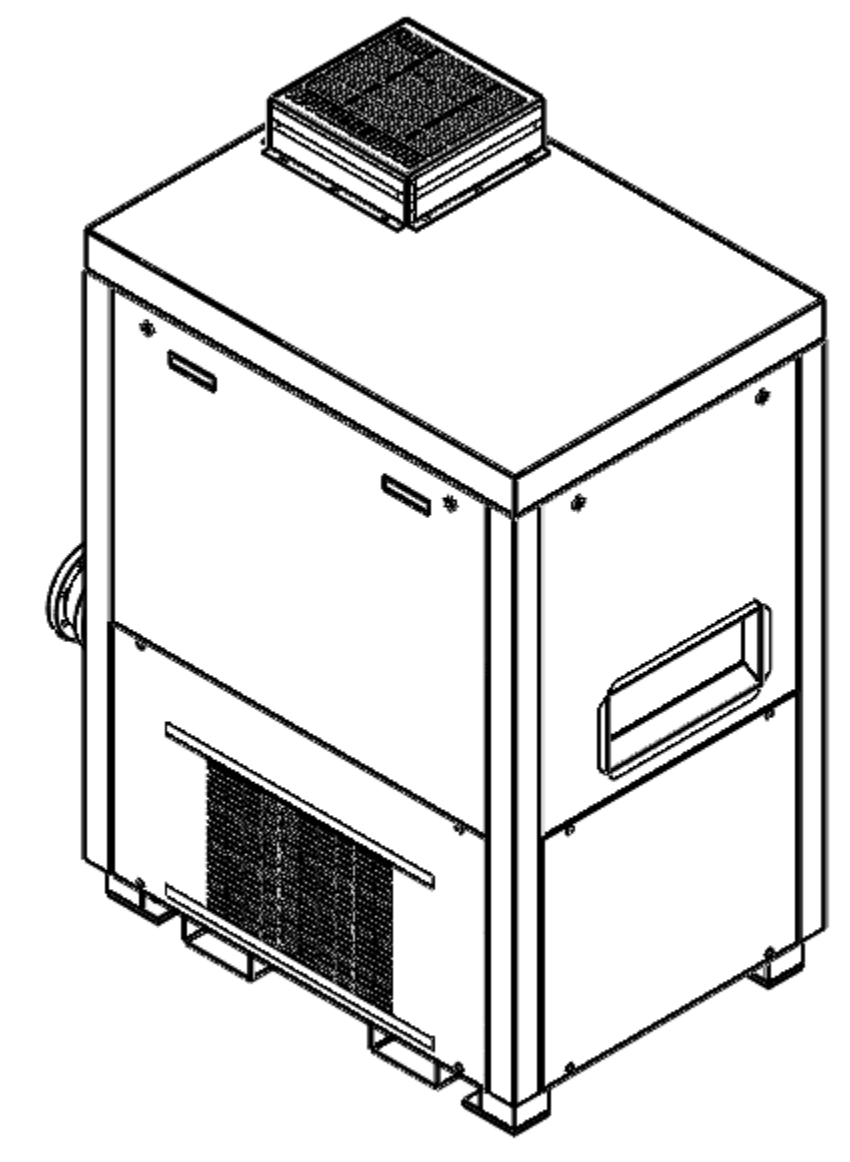
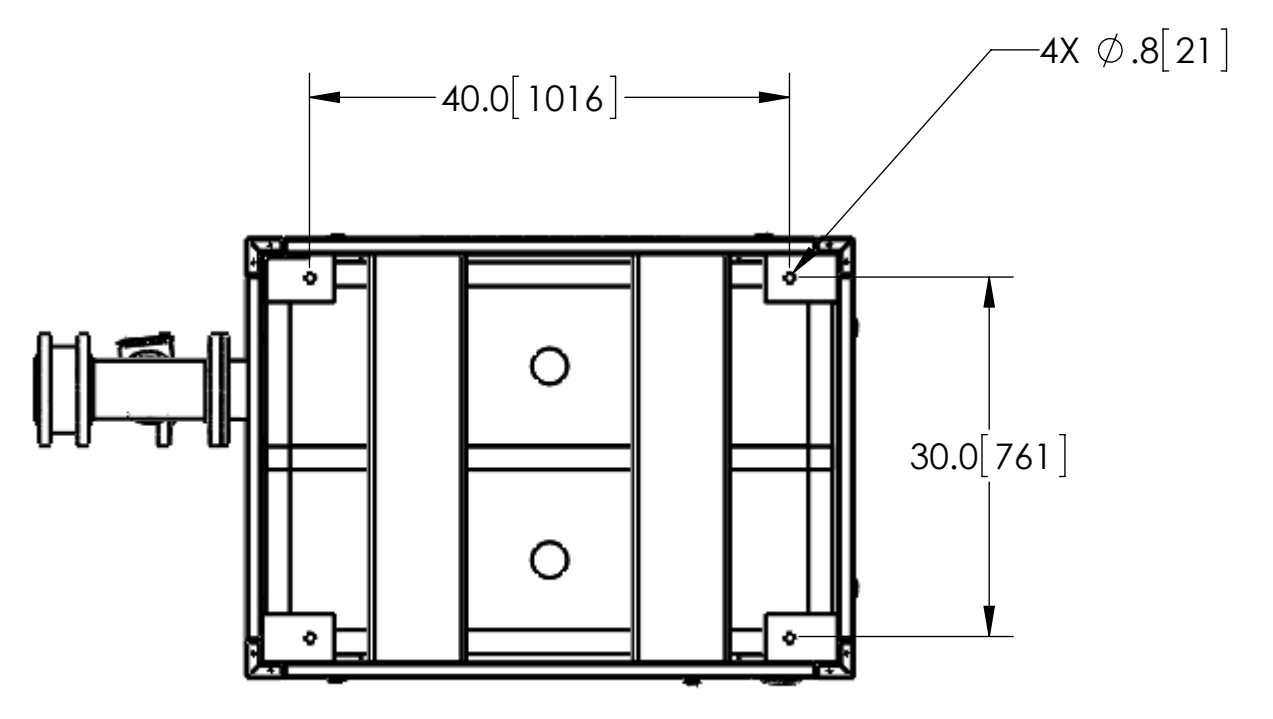
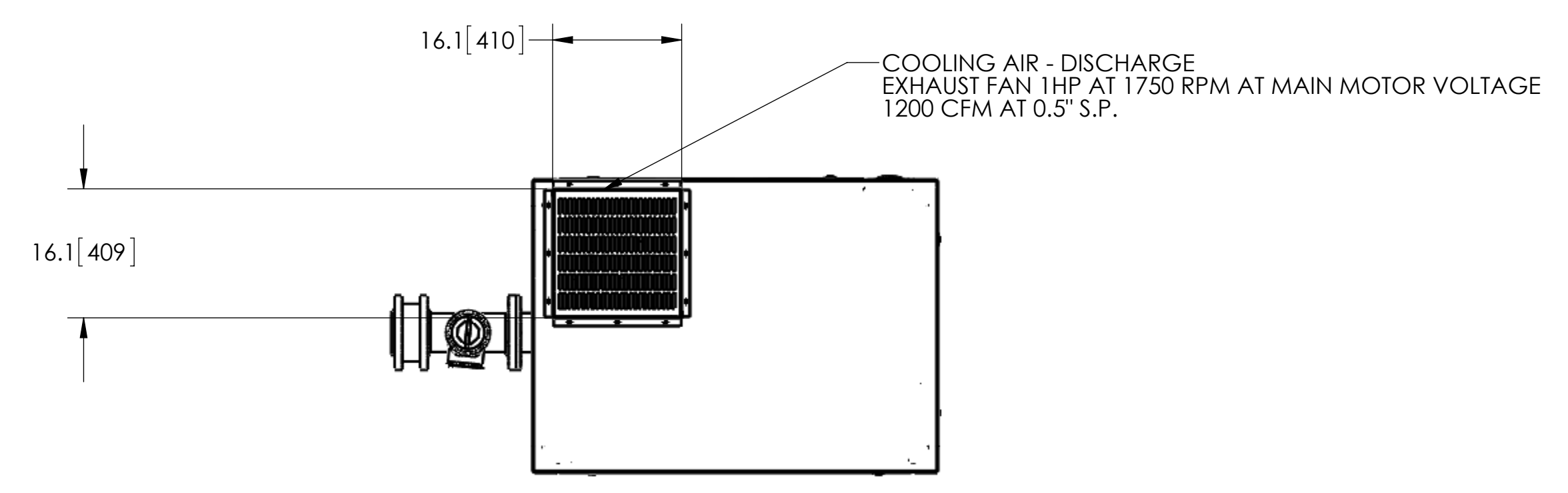


BLOWER MODEL	A	B	C	D
PD4009	14.2[361]	45.0[1143]	17.7[448]	48.2[1224]
PD4012	14.2[361]	45.0[1142]	16.1[410]	18.7[475]
CP4005	14.2[362]	43.4[1103]	24.0[609]	48.2[1224]
CP4007	14.4[366]	43.2[1098]	23.0[583]	48.2[1224]
CP5006	14.9[378]	43.2[1098]	23.2[588]	48.2[1224]
QX3208	14.5[368]	42.5[1081]	19.1[485]	48.2[1224]

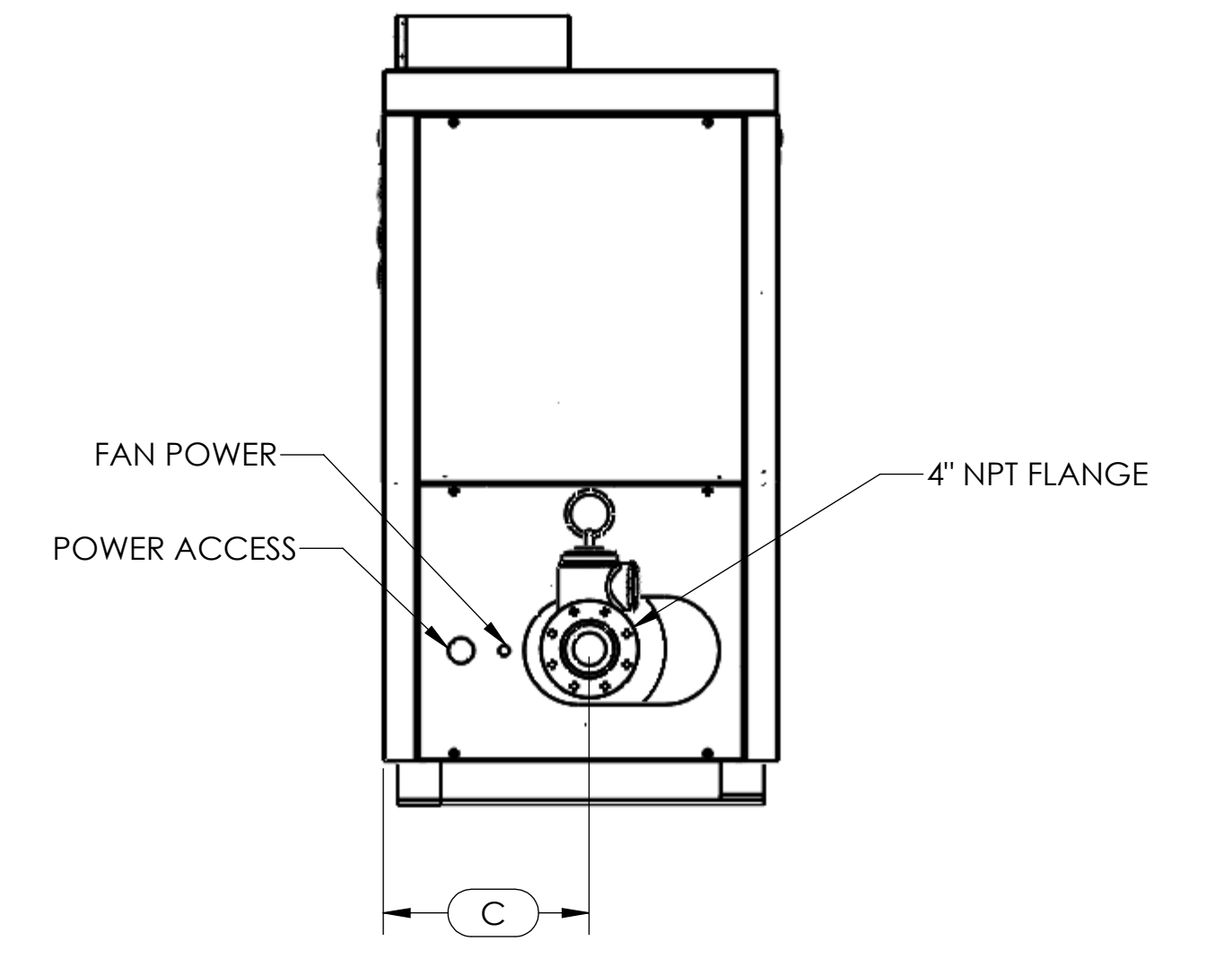
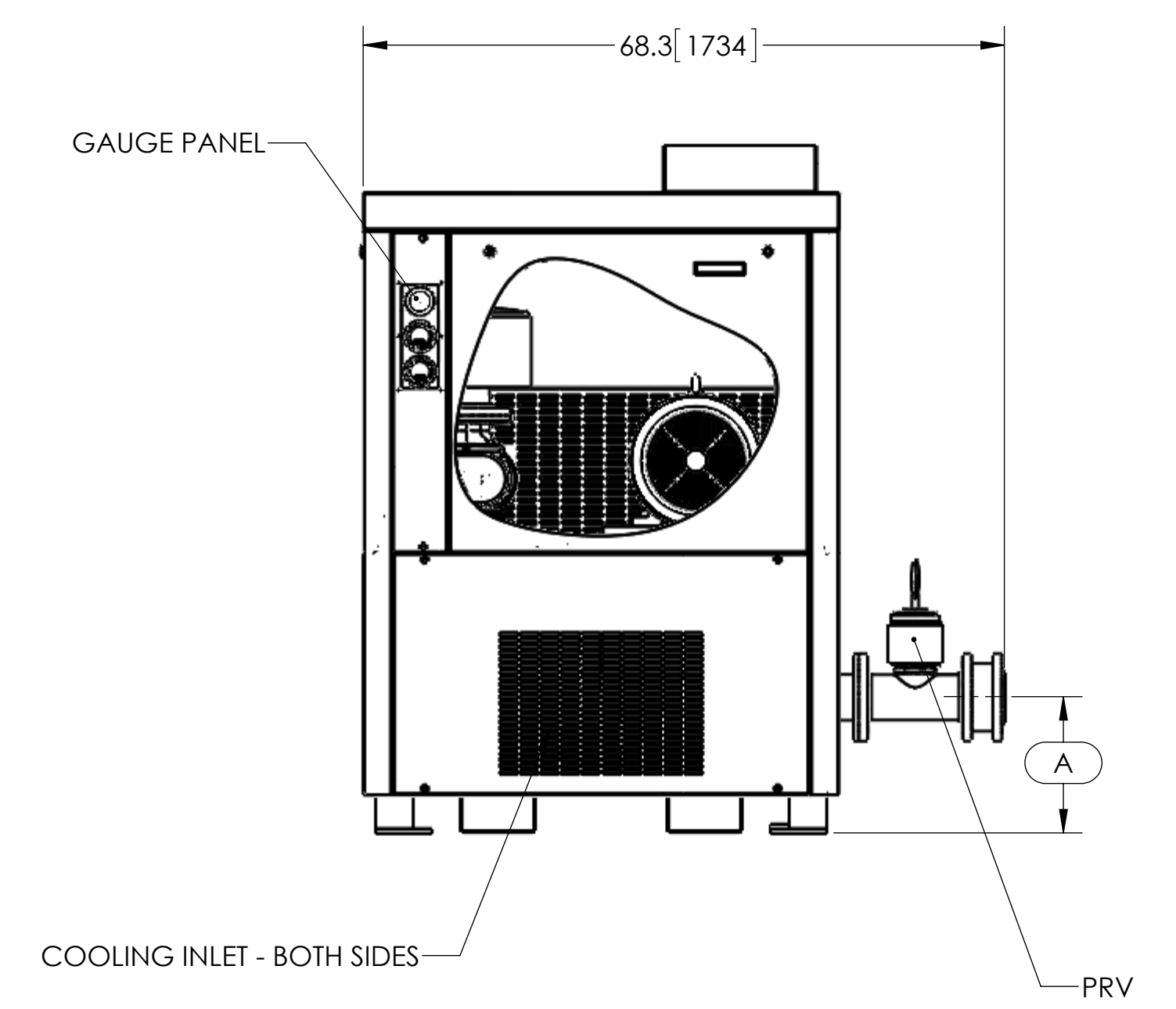
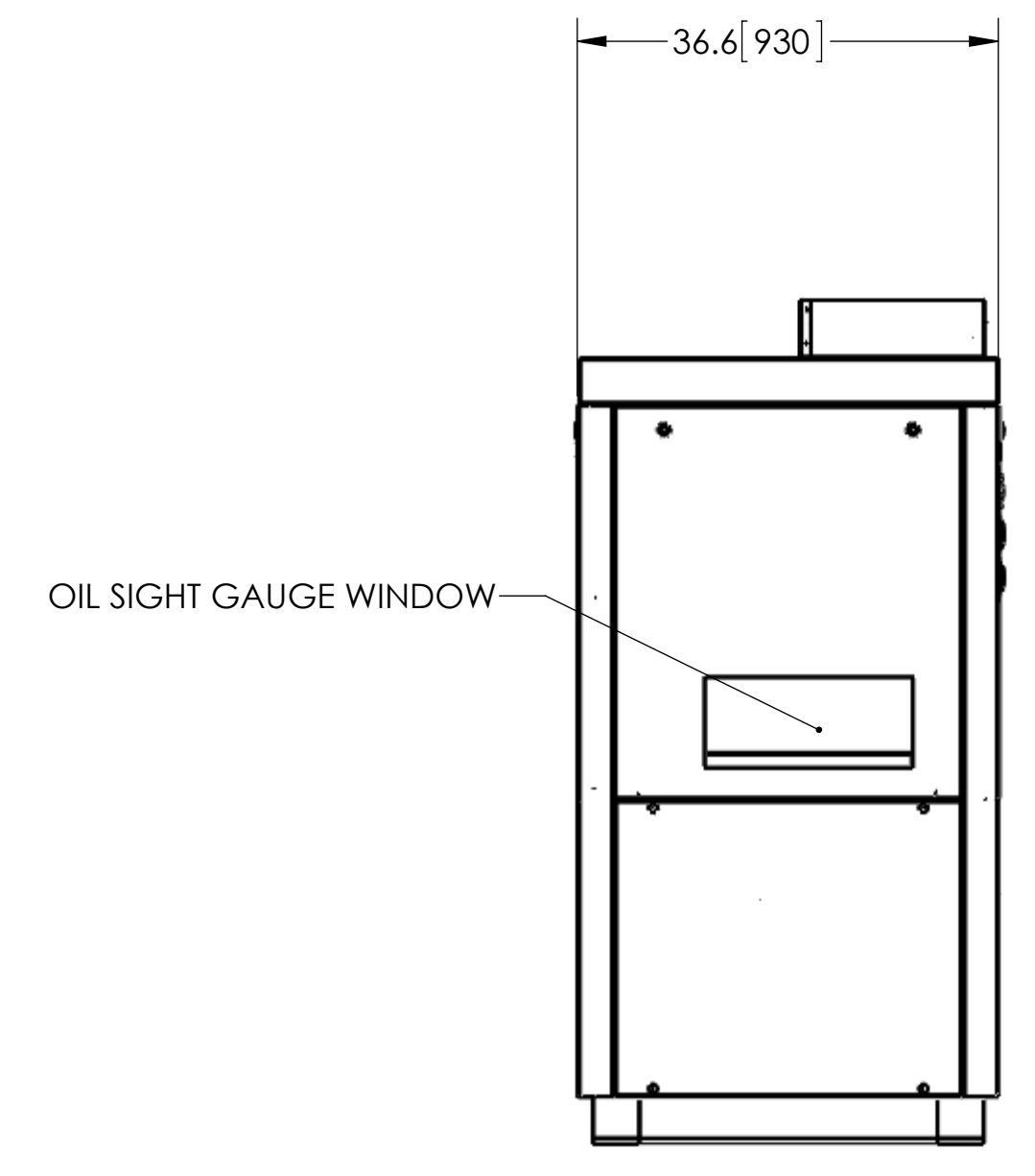
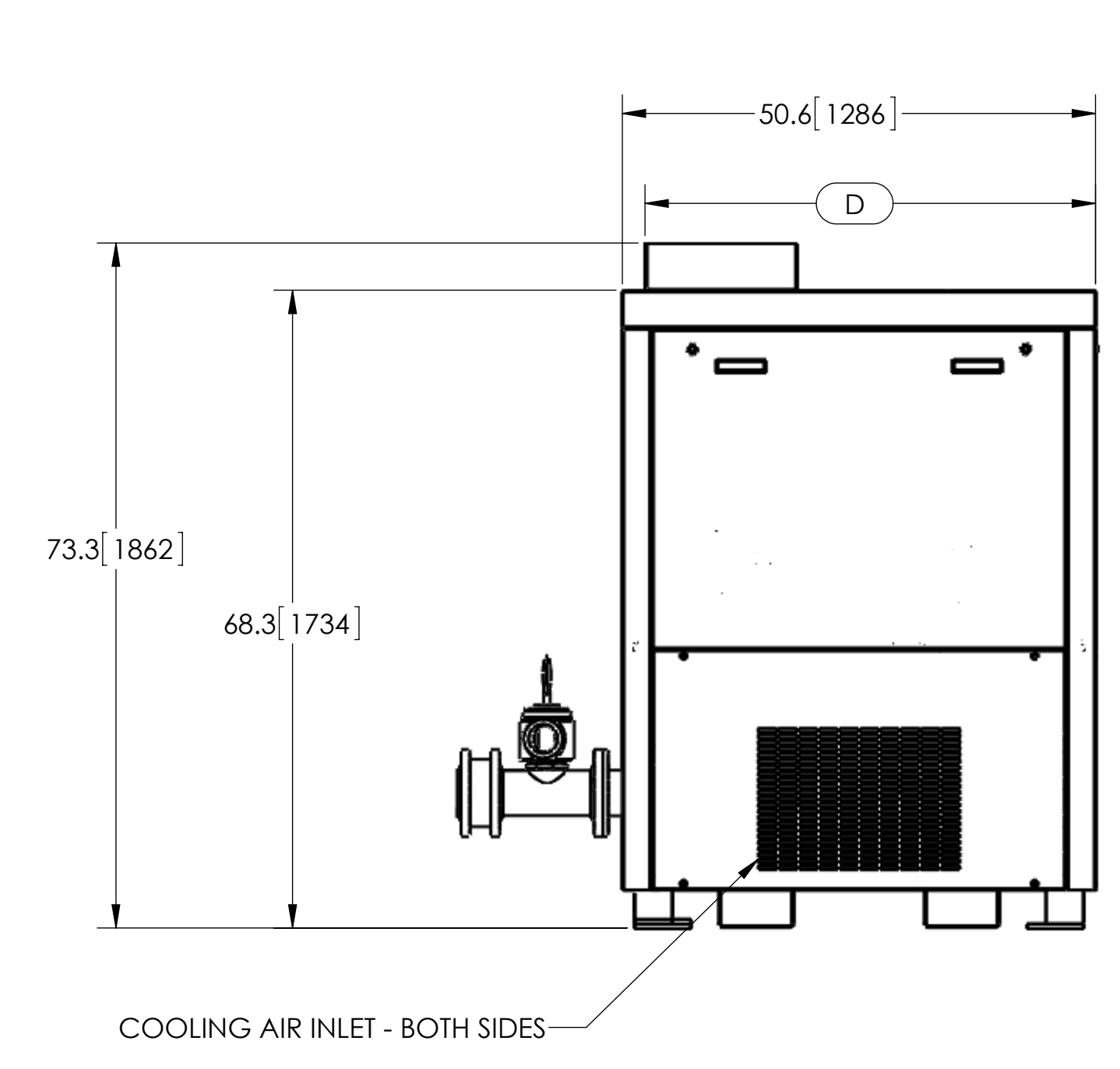
THIRD ANGLE PROJECTION	APPLICATION		VACUUM & BLOWER SYSTEMS
	NEXT ASSY	USED ON	
	APPROVALS	DATE	TITLE
			MP05 ENCLOSURE GENERAL ARRANGEMENT
DRAWN	CHECKED	SIZE DWG NO.	REV
		D GA-MP05PE-SILENCER	A
		SCALE 1:16 WEIGHT LB	SHEET 1 OF 1

NOTICE OF CONFIDENTIAL INFORMATION

INFORMATION CONTAINED HEREIN IS CONFIDENTIAL AND IS THE PROPERTY OF THE TUTHILL CORPORATION. WHERE FURNISHED WITH A PROPOSAL THE RECIPIENT SHALL USE IT SOLELY TO EVALUATE THE PROPOSAL. WHERE FURNISHED TO A CUSTOMER IT SHALL BE USED SOLELY FOR THE PURPOSES OF INSPECTION, INSTALLATION OR MAINTENANCE. WHERE FURNISHED TO A SUPPLIER IT SHALL BE USED SOLELY IN THE PERFORMANCE OF WORK CONTRACTED FOR BY THE COMPANY. THE INFORMATION SHALL NOT BE USED OR DISCLOSED BY THE RECIPIENT FOR ANY OTHER PURPOSE WHATSOEVER.



QX 3208 MODEL SHOWN FOR REFERENCE



BLOWER MODEL	A	B	C	D
PD4009	14.2[361]	-	17.7[448]	48.2[1224]
PD4012	14.2[361]	-	16.1[410]	18.7[475]
CP4005	14.2[362]	-	24.0[609]	48.2[1224]
CP4007	14.4[366]	-	23.0[583]	48.2[1224]
CP5006	14.9[378]	-	23.2[588]	48.2[1224]
QX3208	14.5[368]	-	19.1[485]	48.2[1224]

THIRD ANGLE PROJECTION	APPLICATION		VACUUM & BLOWER SYSTEMS
	NEXT ASSY	USED ON	
	APPROVALS	DATE	TITLE
			MP05 ENCLOSURE GENERAL ARRANGEMENT
DRAWN	CHECKED	SCALE 1:16	WEIGHT LB
		SIZE DWG NO. D GA-MP05PE-FILTER	REV A
		SHEET 1 OF 1	