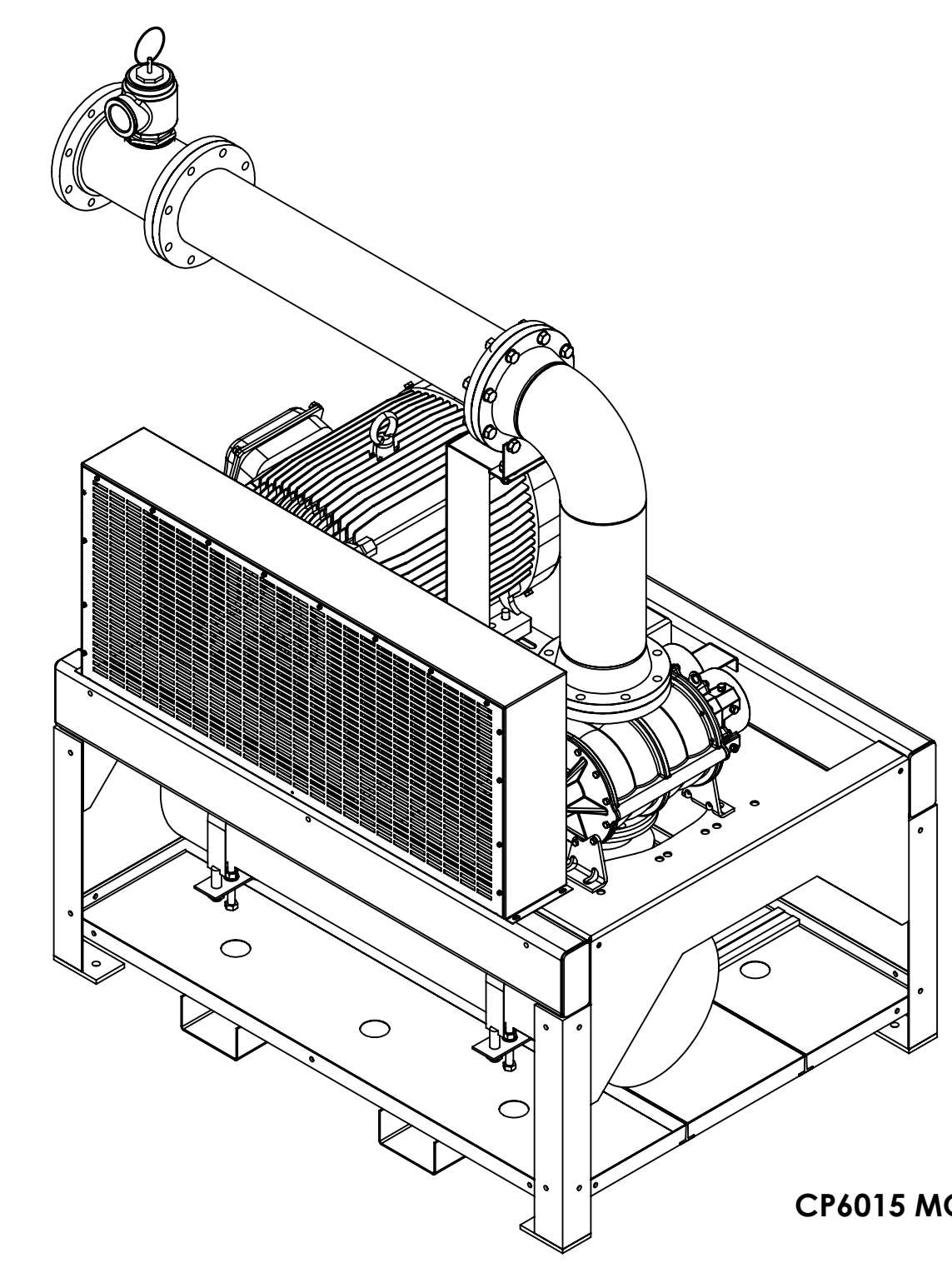
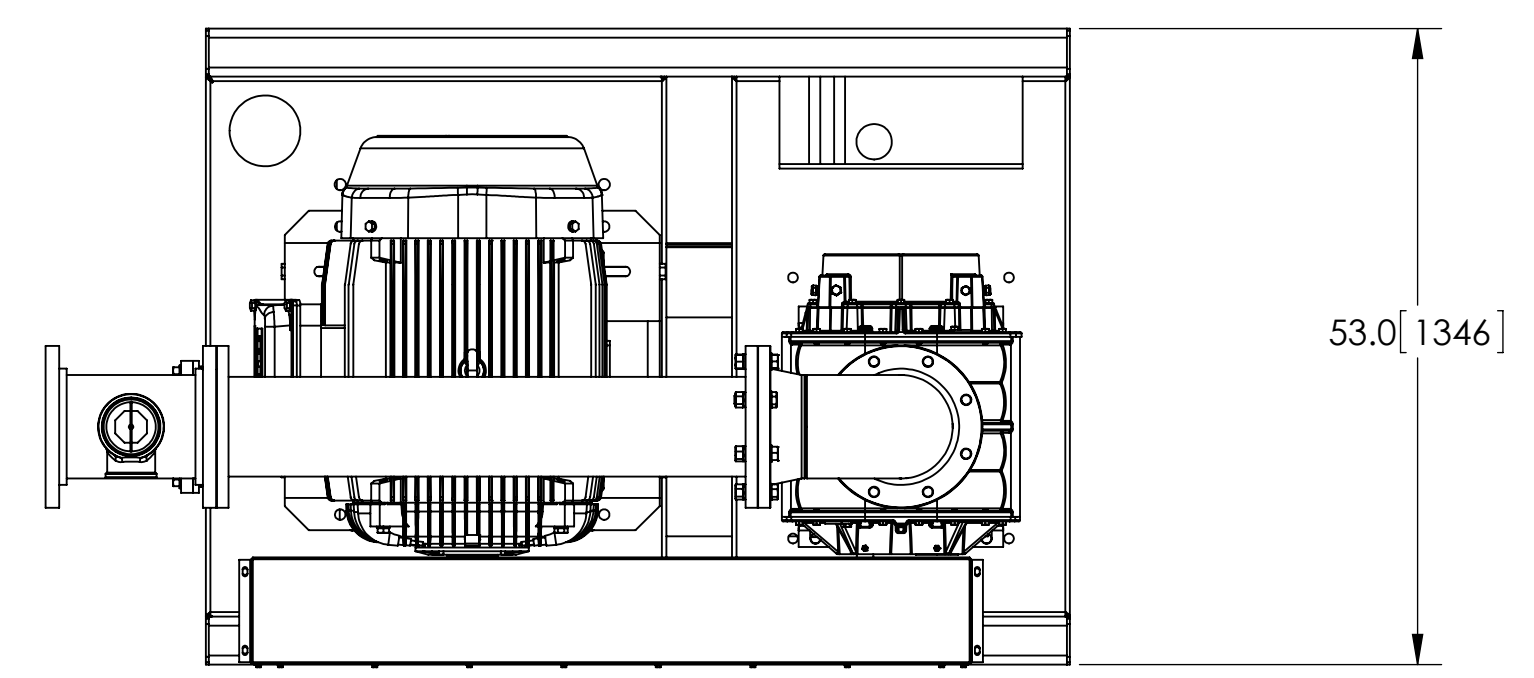
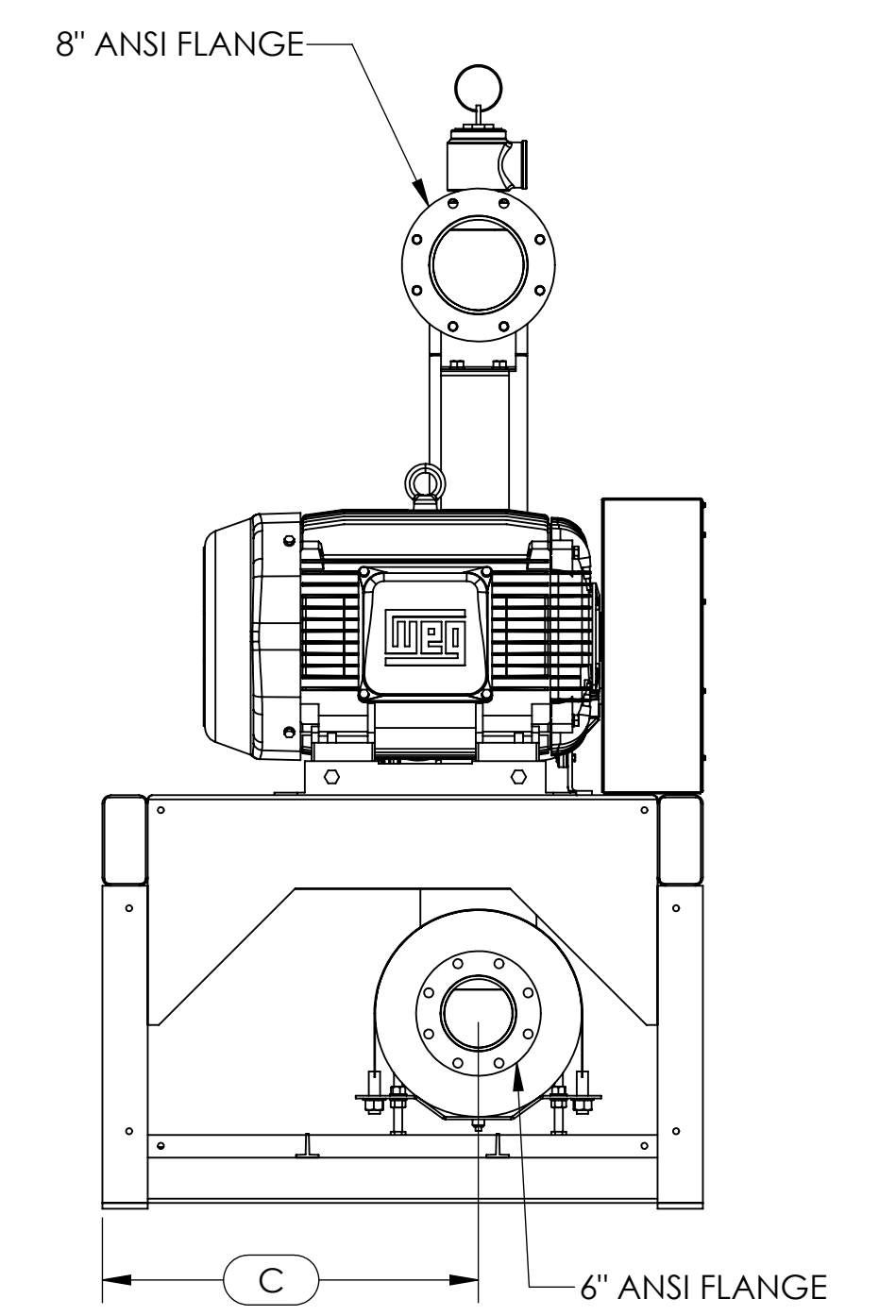
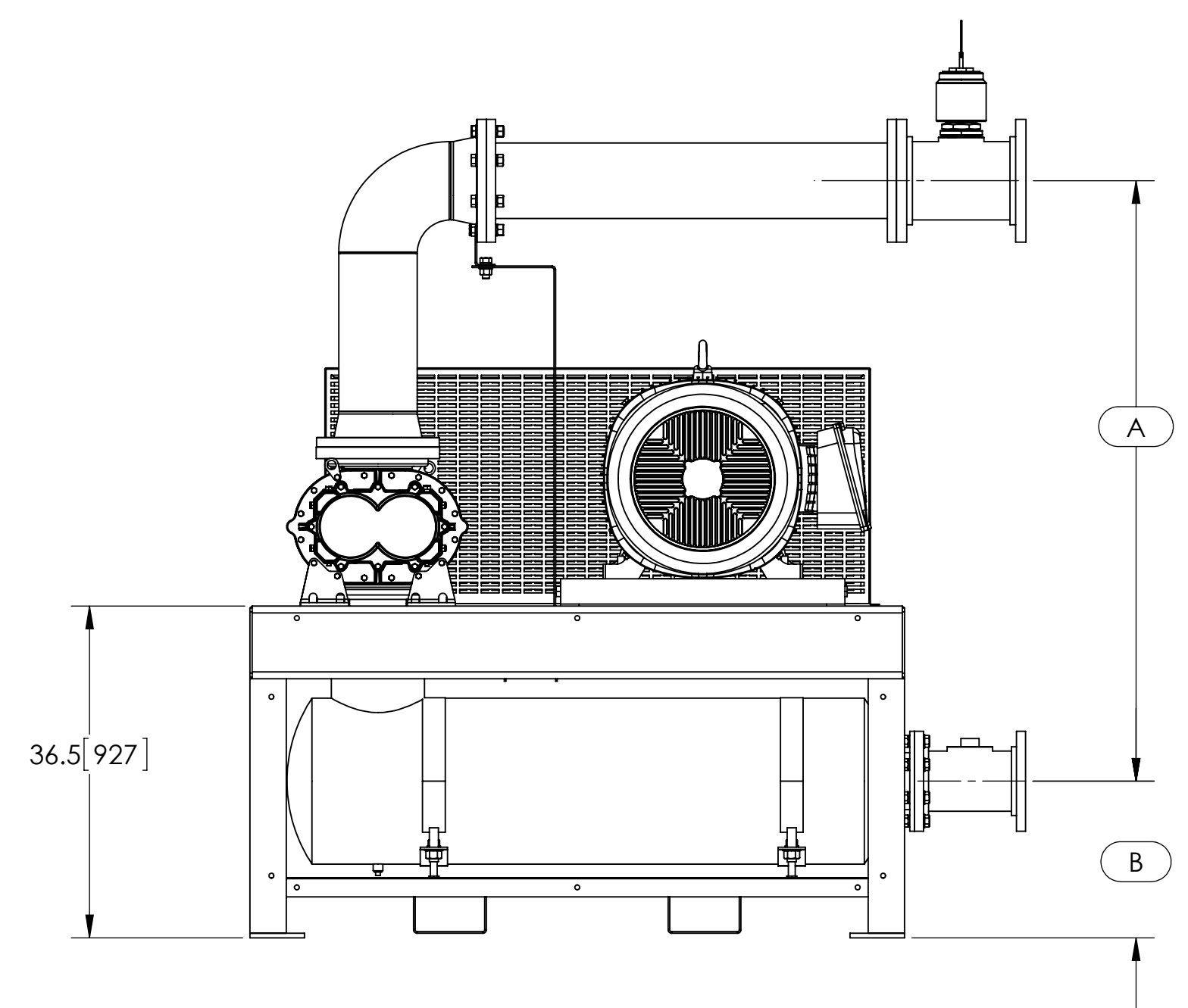
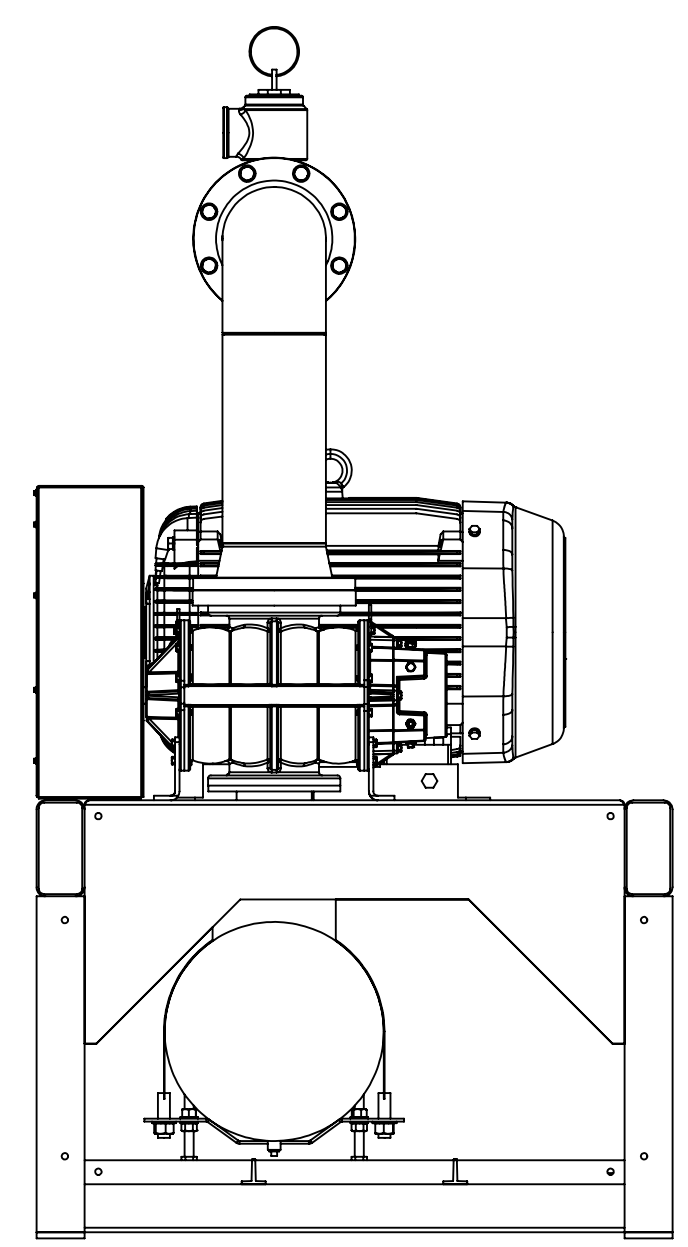
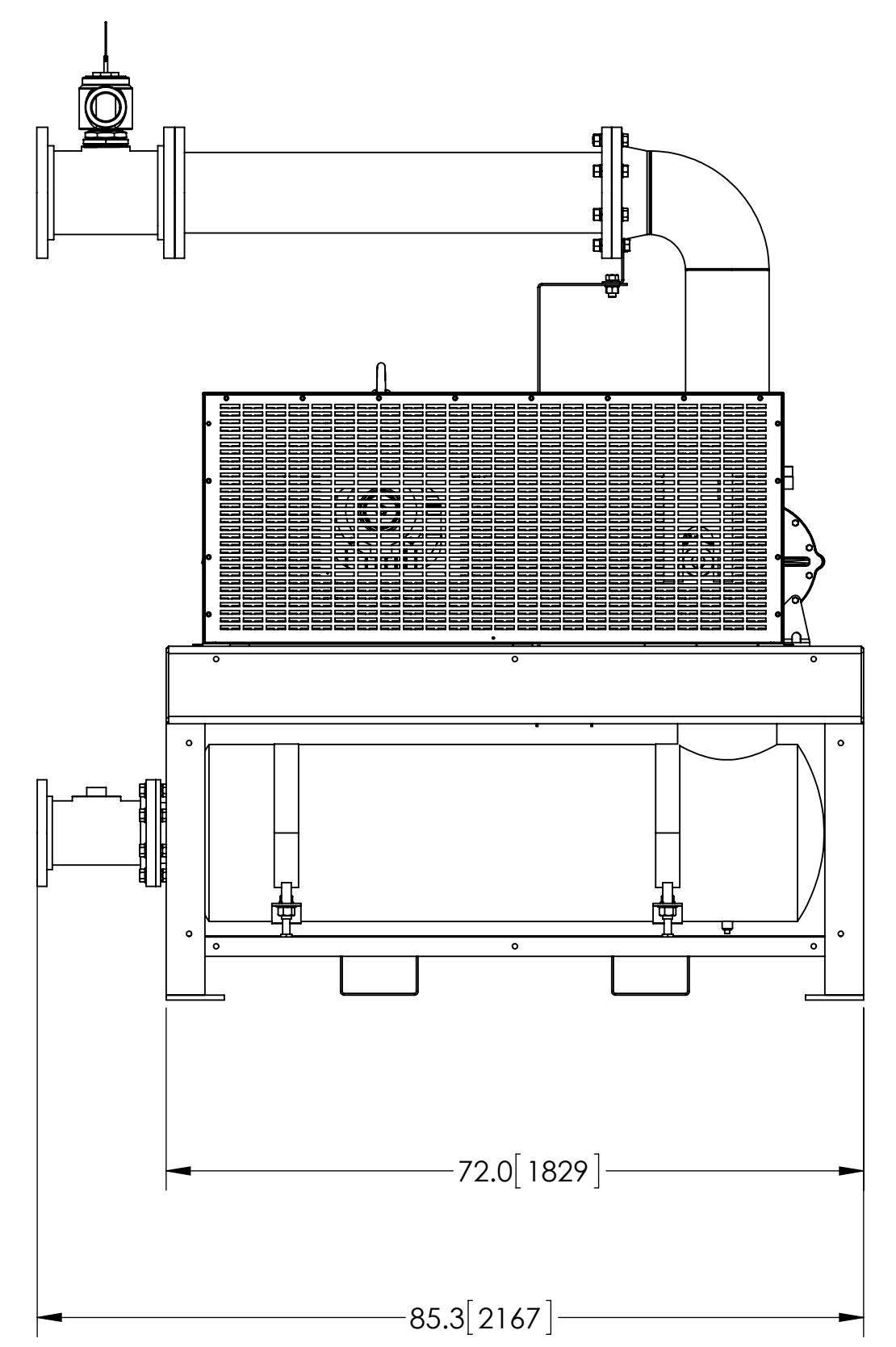


NOTICE OF CONFIDENTIAL INFORMATION

INFORMATION CONTAINED HEREIN IS CONFIDENTIAL AND IS THE PROPERTY OF THE TUTHILL CORPORATION. WHERE FURNISHED WITH A PROPOSAL THE RECIPIENT SHALL USE IT SOLELY TO EVALUATE THE PROPOSAL. WHERE FURNISHED TO A CUSTOMER IT SHALL BE USED SOLELY FOR THE PURPOSES OF INSPECTION, INSTALLATION OR MAINTENANCE. WHERE FURNISHED TO A SUPPLIER IT SHALL BE USED SOLELY IN THE PERFORMANCE OF WORK CONTRACTED FOR BY THE COMPANY. THE INFORMATION SHALL NOT BE USED OR DISCLOSED BY THE RECIPIENT FOR ANY OTHER PURPOSE WHATSOEVER.



CP6015 MODEL SHOWN FOR REFERENCE



BLOWER MODEL	A	B	C
CP6015	66.1[1679]	17.2[438]	33.2[843]
CP7011	68.1[1730]	18.5[470]	35.1[892]
CP7018	68.1[1730]	17.2[438]	31.6[803]
QX6015	67.1[1704]	15.1[384]	30.3[769]
PD7010	65.7[1669]	17.6[448]	25.3[641]
PD7013	65.7[1669]	16.4[416]	23.9[606]

THIRD ANGLE PROJECTION	APPLICATION		<b>VACUUM &amp; BLOWER SYSTEMS</b>
	NEXT ASSY	USED ON	
	APPROVALS	DATE	TITLE
	DRAWN		MP20 BARE GENERAL ARRANGEMENT
CHECKED			SIZE DWG NO. <b>D</b> GA-MP20VB SCALE 1:16 WEIGHT LB SHEET 1 OF 1