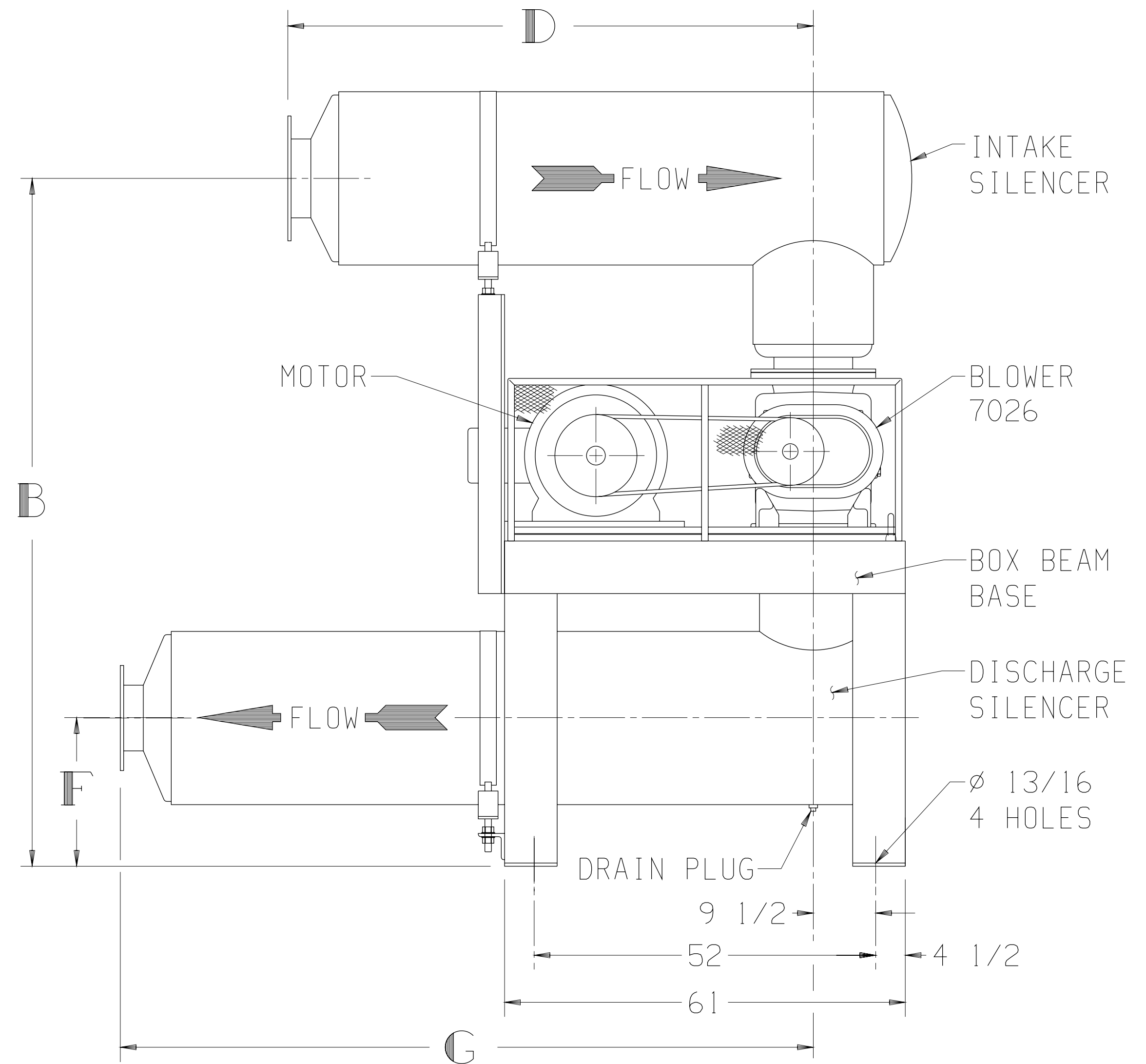
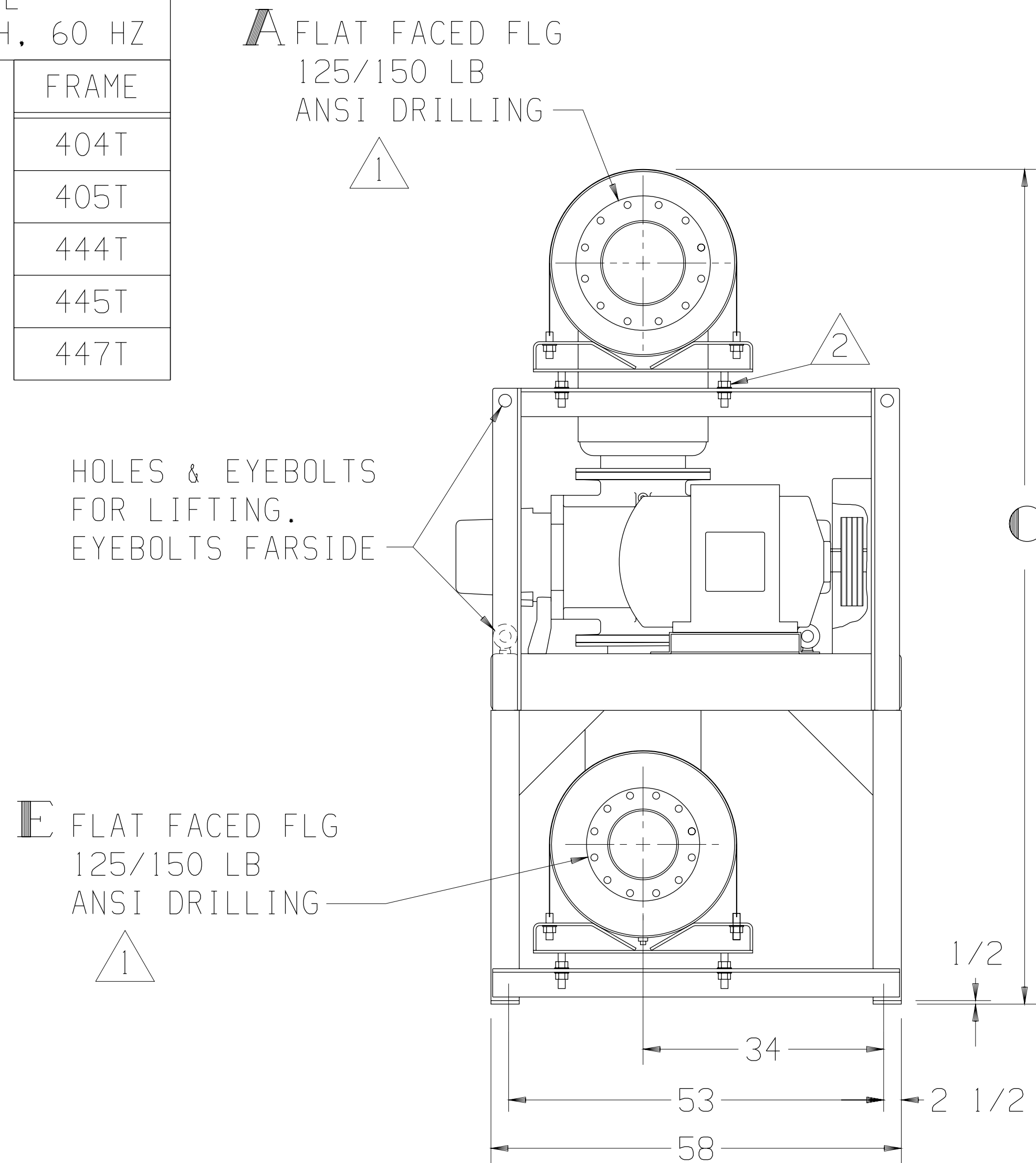


LTR	REVISION	DATE	DR	CH
B	SILENCERS WERE 29551 & 29552 (ECN 4767)	7-25-06	CM	CM

INTAKE SILENCER <sup>2</sup>	A	B	C	D
17325-AXXX	8 FLG	96 1/16	105 7/8	57
17325-AXXX	10 FLG	100 1/16	111 15/16	68 1/2
17300-120	12 FLG	104 1/16	117 15/16	80

DISCHARGE SILENCER <sup>2</sup>	E	F	G
17326-AXXX	8 FLG	26 9/16	82
17326-AXXX	10 FLG	22 9/16	105 1/2

MOTOR W/ SLIDE BASE 1800 RPM, 230/460 V, 3 PH, 60 HZ		
HP	TYPE	FRAME
100	ODP	404T
125	TEFC	405T
150	TEXP	444T
200	SEVERE DUTY TEFC	445T
	SEVERE DUTY TEXP	447T



NOTE:

<sup>1</sup> CONNECTION SIZES SHOWN IN TABLES ABOVE ARE STANDARD CONNECTIONS. WHEN REQUESTED, CONNECTIONS OTHER THAN STANDARD CAN BE SUPPLIED. IF SO, THEY ARE \_\_\_\_\_ INLET & \_\_\_\_\_ OUTLET CONNECTIONS.

<sup>2</sup> AN "X" IN A PART NUMBER INDICATES NEEDED INFORMATION FOR A COMPLETE PART NUMBER

APPROXIMATE WEIGHT	
BASE, DRIVE & GUARD	1450 LBS
BLOWER	_____ LBS
MOTOR & S.B.	_____ LBS
SILENCERS	_____ LBS
TOTAL WEIGHT	_____ LBS

THIS OUTLINE APPLIES TO BLOWER 7026 & MOTORS SHOWN IN TABLE

**Tuthill** 800.825.6937

BASE MOUNTED OUTLINE B7000VV3A

SIZE:  
C2

DR BD 8-23-91

CH CM 8-27-91