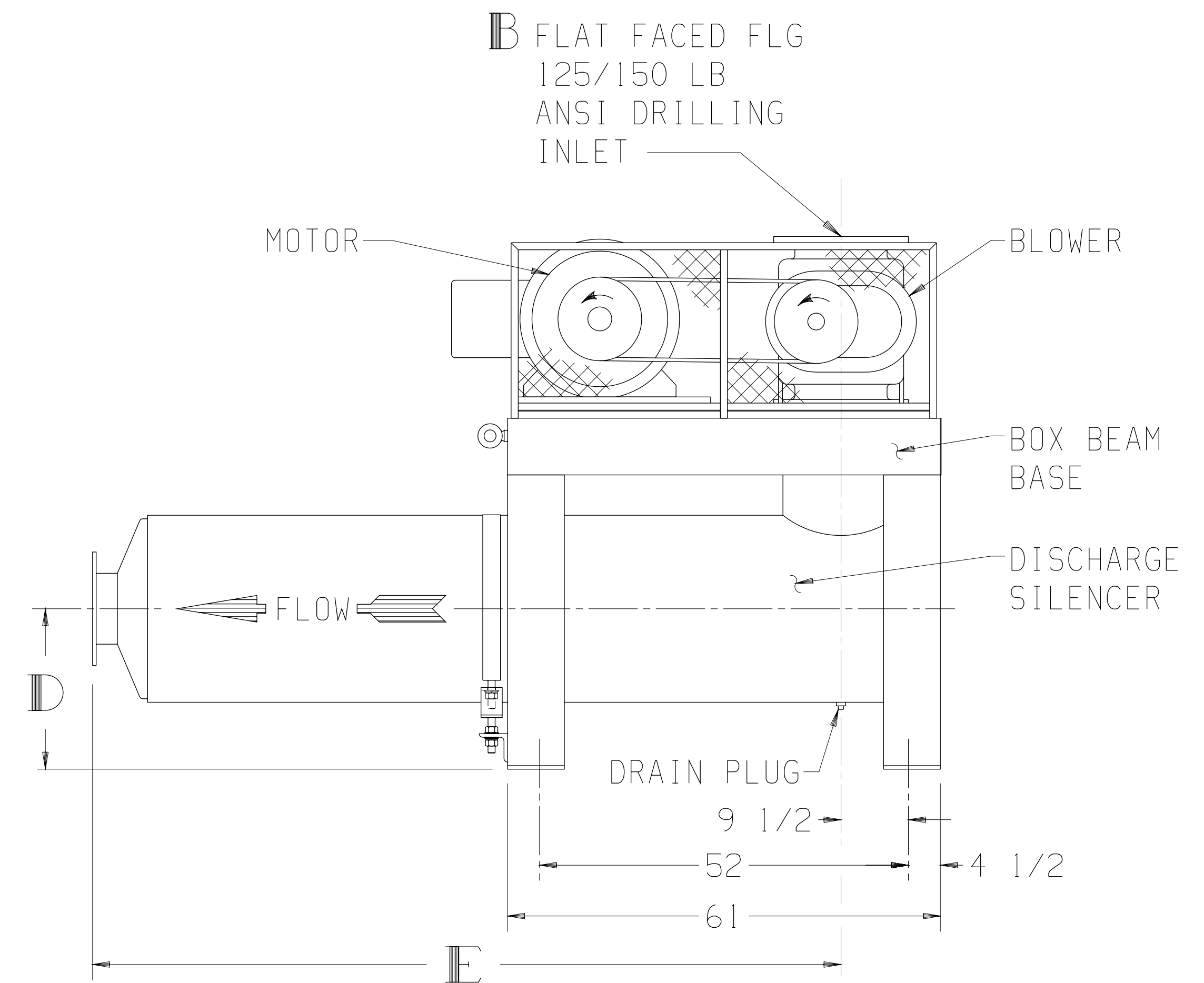
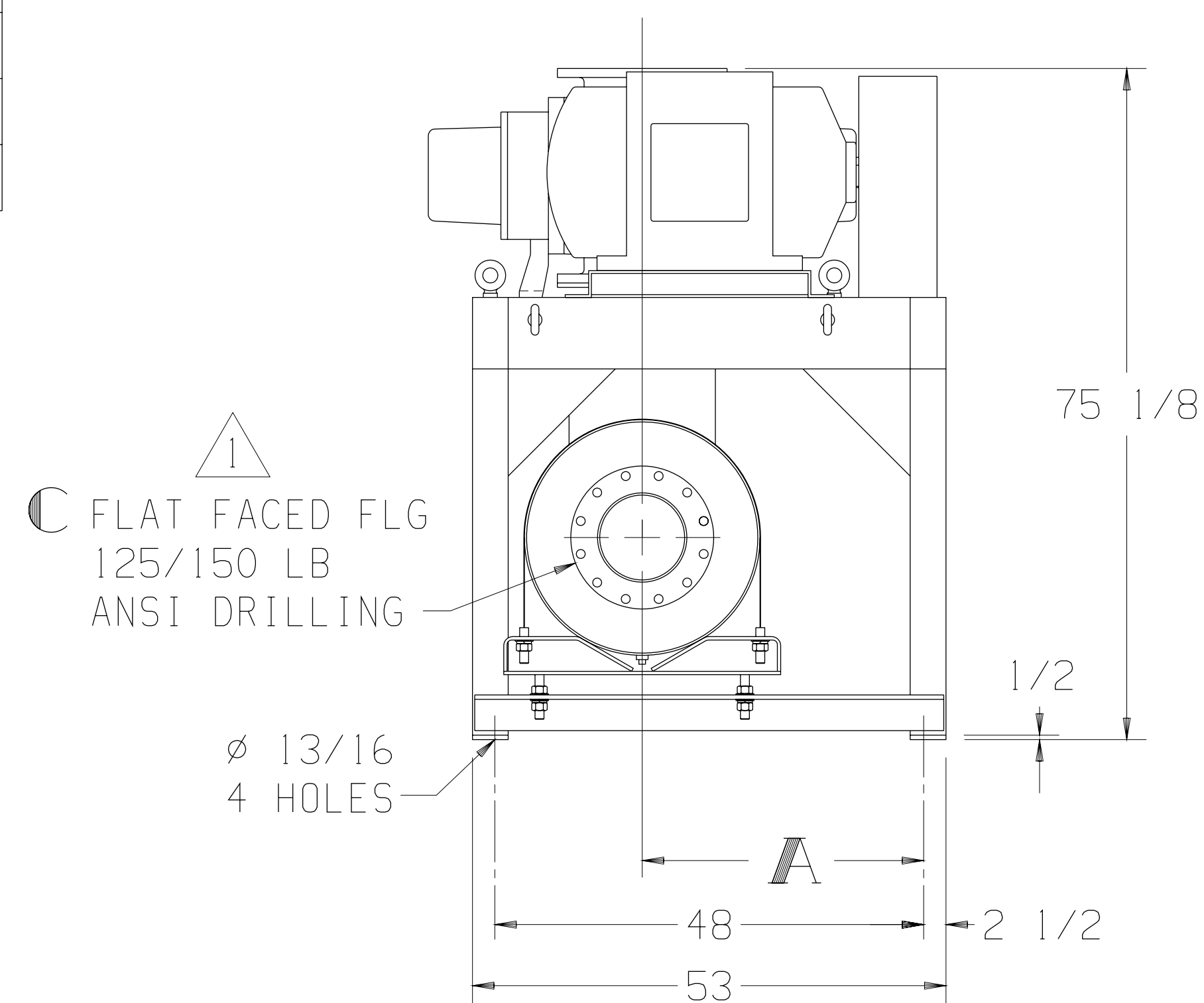


| LTR | REVISION | DATE | DR | CH |
|-----|---|---------|----|----|
| B | SILENCERS WERE 29551 & 29552 (ECN 4767) | 7-25-06 | CM | CM |

| BLOWER | DISCHARGE SILENCER ² | F | G | H |
|--------|---------------------------------|--------|--------|---------|
| 7010 | 17326-AXXXX | 5 FLG | 24 5/8 | 53 1/2 |
| | 17301-060 | 6 FLG | 30 5/8 | 59 |
| 7013 | 17326-AXXXX | 6 FLG | 30 5/8 | 59 |
| | 17301-080 | 8 FLG | 26 5/8 | 82 |
| 7017 | 17326-AXXXX | 6 FLG | 30 5/8 | 59 |
| | 17326-AXXXX | 8 FLG | 26 5/8 | 82 |
| 7021 | 17326-AXXXX | 8 FLG | 26 5/8 | 82 |
| | 17326-AXXXX | 10 FLG | 22 5/8 | 105 1/2 |

| MOTOR W/ SLIDE BASE 1800 RPM, 230/460 V, 3 PH, 60 HZ | | |
|---|-------|------------------|
| HP | FRAME | TYPE |
| 100 | 404T | ODP |
| 125 | 405T | TEFC |
| 150 | 444T | TEXP |
| 200 | 445T | SEVERE DUTY TEFC |
| | 447T | SEVERE DUTY TEXP |

| BLOWER | A | B |
|--------|--------|--------|
| 7010 | 26 1/8 | 6 FLG |
| 7013 | 27 1/2 | 8 FLG |
| 7017 | 29 1/2 | 10 FLG |
| 7021 | 31 1/2 | 12 FLG |



NOTE:

¹ CONNECTION SIZE SHOWN IN TABLE ABOVE IS A STANDARD CONNECTION. WHEN REQUESTED, CONNECTION OTHER THAN STANDARD CAN BE SUPPLIED. IF SO, IT IS A _____ OUTLET CONNECTION.

² AN "X" IN A PART NUMBER INDICATES NEEDED INFORMATION FOR A COMPLETE PART NUMBER

| APPROXIMATE WEIGHT | |
|---------------------|-------------|
| BASE, DRIVE & GUARD | - 1230 LBS |
| BLOWER | - _____ LBS |
| MOTOR & S.B. | - _____ LBS |
| SILENCER | - _____ LBS |
| TOTAL WEIGHT | - _____ LBS |

THIS OUTLINE APPLIES TO THE BLOWERS & MOTORS SHOWN IN TABLES

Tuthill 800.825.6937

BASE MOUNTED OUTLINE B7000VV2A-DS

SIZE:
C2

DR MJ 3-15-90

CH LB 3-16-90