

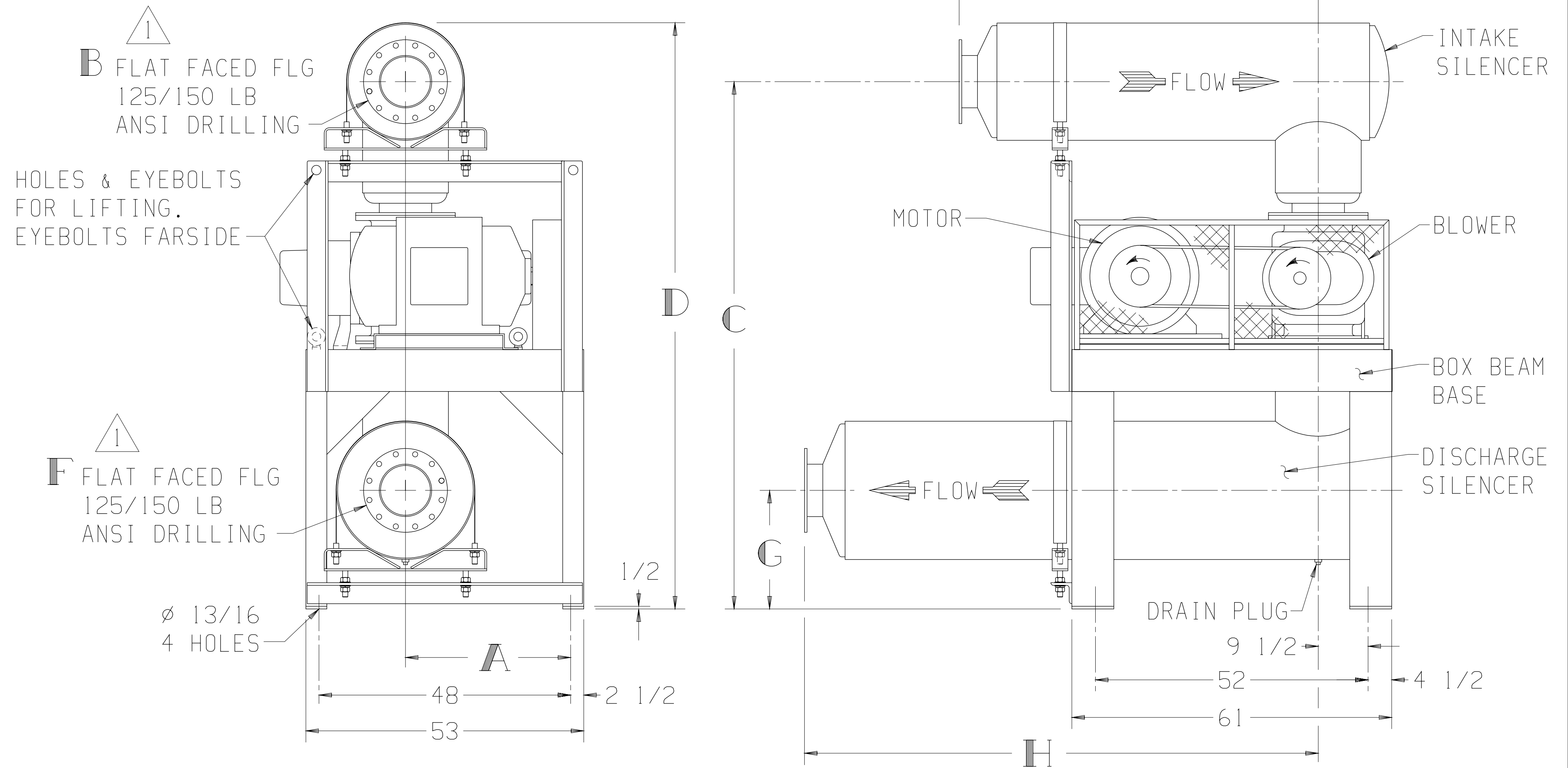
LTR	REVISION	DATE	DR	CH
B	SILENCERS WERE 29551 & 29552 (ECN 4767)	7-25-06	CM	CM

BLOWER	INTAKE SILENCER ²	B	C	D	E
7010	17300-060	6 FLG	92 1/8	99 1/4	52 1/2
7013	17325-AXXXX	6 FLG	92 1/8	99 1/4	52 1/2
	17300-080	8 FLG	96 5/8	106	57
7017	17325-AXXXX	6 FLG	92 1/8	99 1/4	52 1/2
	17325-AXXXX	8 FLG	96 5/8	106	57
	17300-100	10 FLG	100 5/8	112	68 1/2
7021	17325-AXXXX	8 FLG	96 5/8	106	57
	17325-AXXXX	10 FLG	100 5/8	112	68 1/2

BLOWER	DISCHARGE SILENCER ²	F	G	H
7010	17326-AXXXX	5 FLG	24 5/8	53 1/2
	17301-060	6 FLG	30 5/8	59
7013	17326-AXXXX	6 FLG	30 5/8	59
	17301-080	8 FLG	26 5/8	82
7017	17326-AXXXX	6 FLG	30 5/8	59
	17326-AXXXX	8 FLG	26 5/8	82
7021	17326-AXXXX	8 FLG	26 5/8	82
	17326-AXXXX	10 FLG	22 5/8	105 1/2

BLOWER	A
7010	26 1/8
7013	27 1/2
7017	29 1/2
7021	31 1/2

MOTOR W/ SLIDE BASE 1800 RPM, 230/460 V, 3 PH, 60 HZ		
HP	FRAME	TYPE
100	404T	ODP
125	405T	TEFC
150	444T	TEXP
200	445T	SEVERE DUTY TEFC
	447T	SEVERE DUTY TEXP



NOTE:

¹ CONNECTION SIZES SHOWN IN TABLES ABOVE ARE STANDARD CONNECTIONS. WHEN REQUESTED, CONNECTIONS OTHER THAN STANDARD CAN BE SUPPLIED. IF SO, THEY ARE _____ INLET & _____ OUTLET CONNECTIONS.

² AN "X" IN A PART NUMBER INDICATES NEEDED INFORMATION FOR A COMPLETE PART NUMBER

THIS OUTLINE APPLIES TO THE BLOWERS & MOTORS SHOWN IN TABLES

APPROXIMATE WEIGHT	
BASE, DRIVE & GUARD-	1400 LBS
BLOWER	- _____ LBS
MOTOR & S.B.	- _____ LBS
SILENCERS	- _____ LBS
TOTAL WEIGHT	- _____ LBS

Tuthill 800.825.6937

BASE MOUNTED OUTLINE B7000VV2A

SIZE:
C2

DR SY 1-5-90

CH A0 2-15-90