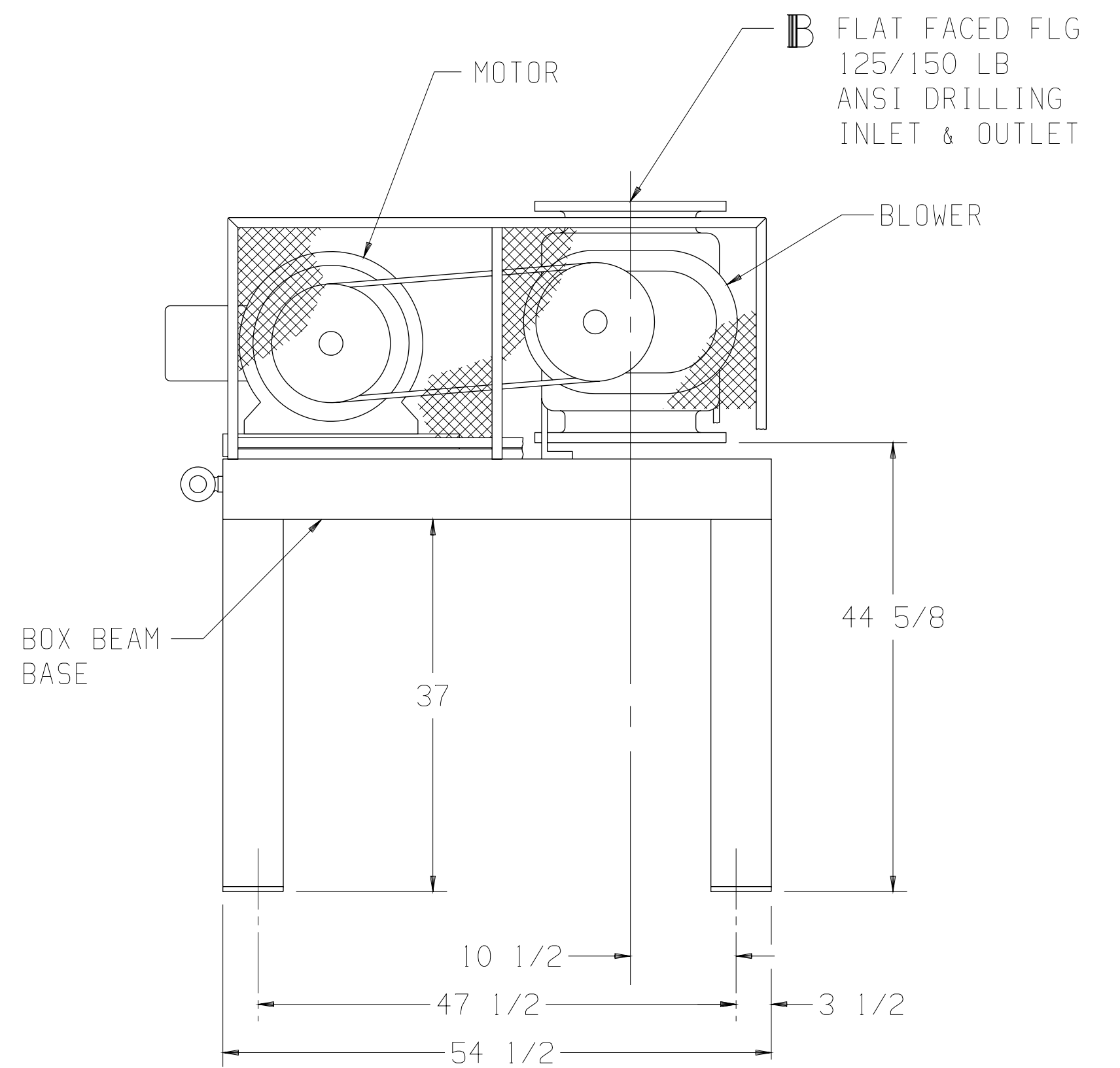
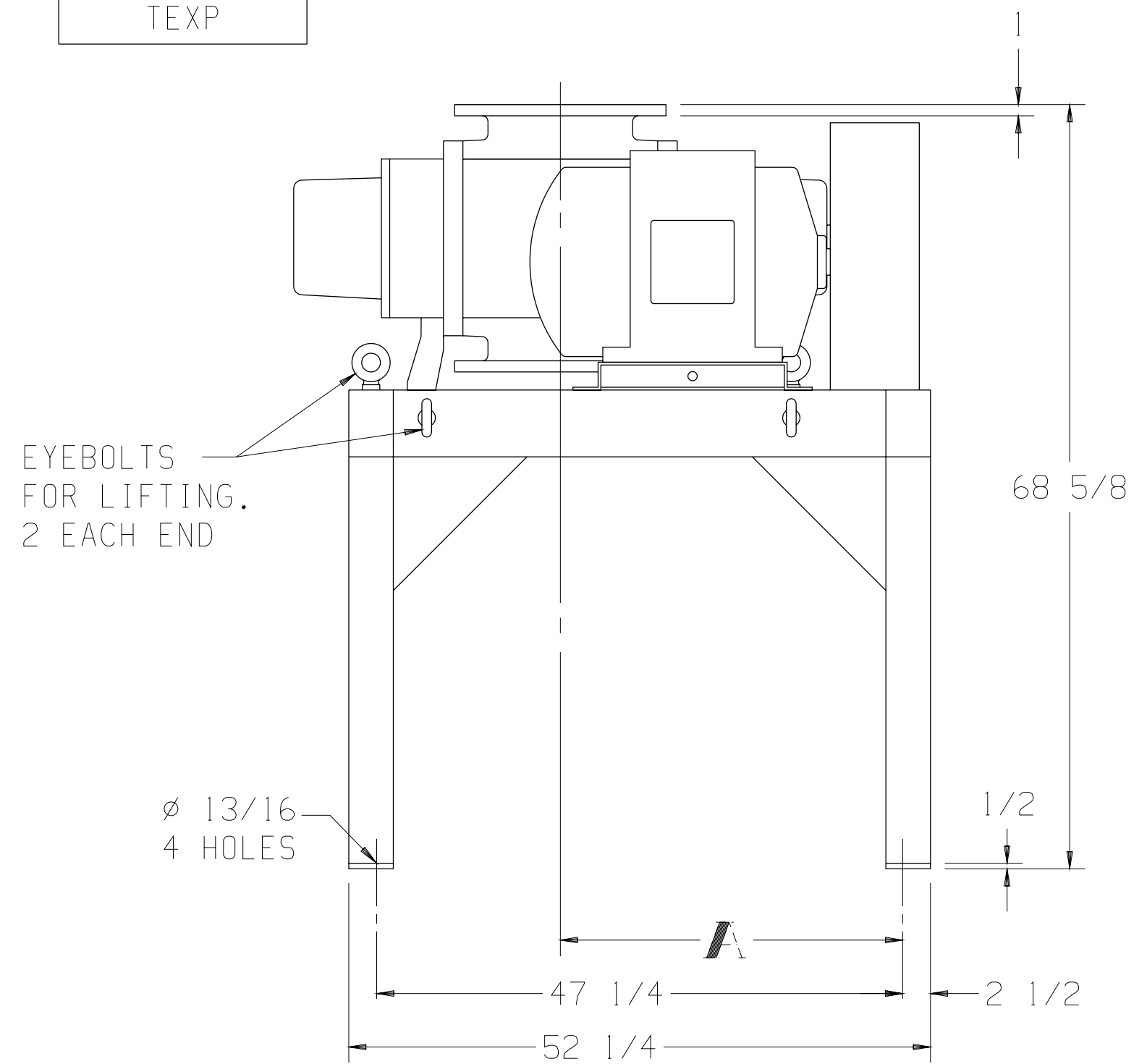


MOTOR W/ SLIDE BASE  
1800 RPM, 230/460 V, 3 PH, 60 HZ

HP	FRAME	TYPE
40	324T	ODP
50	326T	TEFC
60	364T	TEXP
75	365T	SEVERE DUTY TEFC
		SEVERE DUTY TEXP

BLOWER	A	B
7010	25 3/8	6 FLG
7013	26 3/4	8 FLG
7017	28 3/4	10 FLG
7021	30 3/4	12 FLG



APPROXIMATE WEIGHT

BASE, DRIVE & GUARD-	800	LBS
BLOWER	-	LBS
MOTOR & S.B.	-	LBS
SILENCERS	-	LBS
<b>TOTAL WEIGHT</b>	-	<b>LBS</b>

THIS OUTLINE APPLIES TO THE BLOWERS  
& MOTORS SHOWN IN TABLES

**Tuthill** 800.825.6937

BASE MOUNTED OUTLINE B7000VV1L

SIZE: C2

DR CM 6-7-95 CH BD 6-8-95