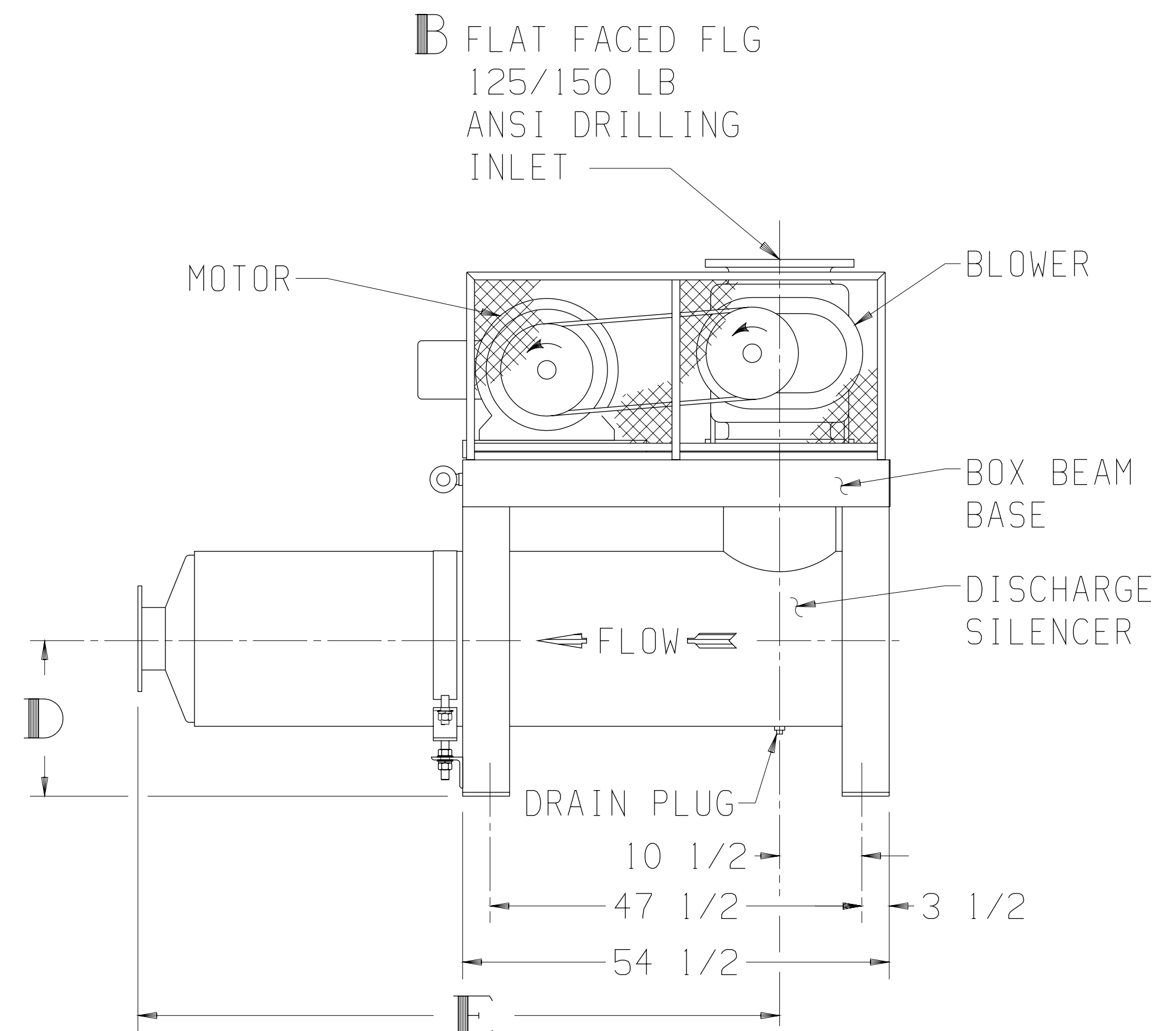
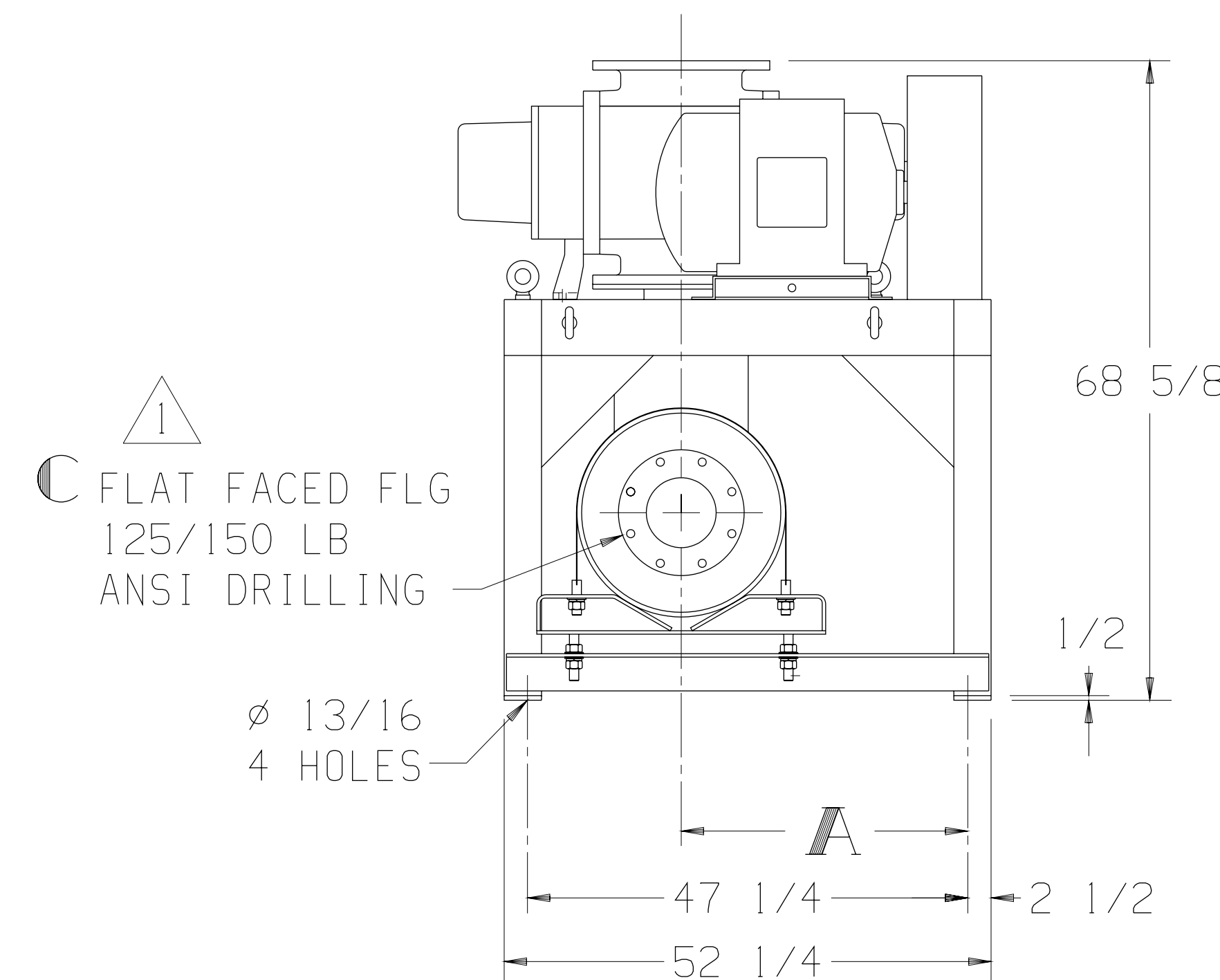


LTR	REVISION	DATE	DR	CH
B	SILENCERS WERE 29551 & 29552 (ECN 4767)	7-25-06	CM	CM

BLOWER	DISCHARGE SILENCER ²	F	G	H
7010	17326-AXXXX	5 FLG	28	53 1/2
	17301-060	6 FLG	24	59
7013	17326-AXXXX	5 FLG	28	53 1/2
	17301-080	8 FLG	20	82
7017	17326-AXXXX	6 FLG	24	59
	17326-AXXXX	8 FLG	20	82
7021	17326-AXXXX	8 FLG	20	82

BLOWER	A	B
7010	25 3/8	6 FLG
7013	26 3/4	8 FLG
7017	28 3/4	10 FLG
7021	30 3/4	12 FLG

MOTOR W/ SLIDE BASE 1800 RPM, 230/460 V, 3 PH, 60 HZ		
HP	FRAME	TYPE
40	324T	ODP
50	326T	TEFC
60	364T	TEXP
75	365T	SEVERE DUTY TEFC
		SEVERE DUTY TEXP



NOTE:

¹ CONNECTION SIZE SHOWN IN TABLE ABOVE IS A STANDARD CONNECTION. WHEN REQUESTED, CONNECTION OTHER THAN STANDARD CAN BE SUPPLIED. IF SO, IT IS A _____ OUTLET CONNECTION.

² AN "X" IN A PART NUMBER INDICATES NEEDED INFORMATION FOR A COMPLETE PART NUMBER

APPROXIMATE WEIGHT

BASE, DRIVE & GUARD	- 800 LBS
BLOWER	- _____ LBS
MOTOR & S.B.	- _____ LBS
SILENCERS	- _____ LBS
TOTAL WEIGHT	- _____ LBS

THIS OUTLINE APPLIES TO THE BLOWERS & MOTORS SHOWN IN TABLES

Tuthill 800.825.6937

BASE MOUNTED OUTLINE B7000VVA-DS

SIZE:
C2

DR JS 8-3-90

CH LB 1-28-91