

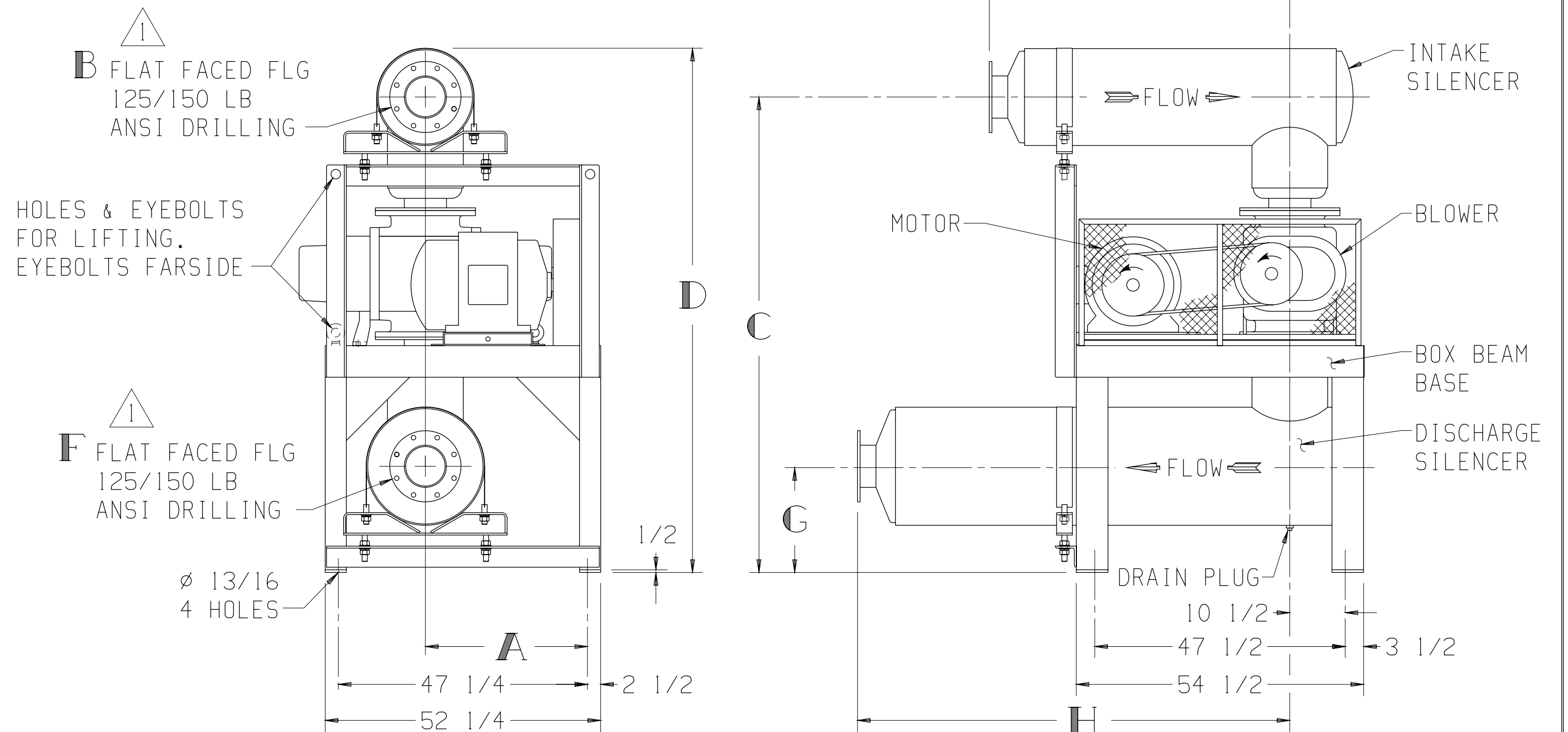
BLOWER	INTAKE SILENCER ²	B	C	D	E
7010	17325-AXXXX	5 FLG	84 1/4	90 1/2	46
	17300-060	6 FLG	85 3/4	93	52 1/2
7013	17325-AXXXX	5 FLG	84 1/4	90 1/2	46
	17325-AXXXX	6 FLG	85 3/4	93	52 1/2
	17300-080	8 FLG	90 1/4	99 1/2	57
7017	17325-AXXXX	6 FLG	85 3/4	93	52 1/2
	17325-AXXXX	8 FLG	90 1/4	99 1/2	57
7021	17325-AXXXX	8 FLG	90 1/4	99 1/2	57

BLOWER	DISCHARGE SILENCER ²	F	G	H
7010	17326-AXXXX	5 FLG	28	53 1/2
	17301-060	6 FLG	24	59
7013	17326-AXXXX	5 FLG	28	53 1/2
	17326-AXXXX	6 FLG	24	59
	17301-080	8 FLG	20	82
7017	17326-AXXXX	6 FLG	24	59
	17326-AXXXX	8 FLG	20	82
7021	17326-AXXXX	8 FLG	20	82

LTR	REVISION	DATE	DR	CH
B	SILENCERS WERE 29551 & 29552 (ECN 4767)	7-25-06	CM	CM

BLOWER	A
7010	25 3/8
7013	26 3/4
7017	28 3/4
7021	30 3/4

MOTOR W/ SLIDE BASE 1800 RPM, 230/460 V, 3 PH, 60 HZ		
HP	FRAME	TYPE
40	324T	ODP
50	326T	TEFC
60	364T	TEXP
75	365T	SEVERE DUTY TEFC
		SEVERE DUTY TEXP



NOTE:

¹ CONNECTION SIZES SHOWN IN TABLES ABOVE ARE STANDARD CONNECTIONS. WHEN REQUESTED, CONNECTIONS OTHER THAN STANDARD CAN BE SUPPLIED. IF SO, THEY ARE _____ INLET & _____ OUTLET CONNECTIONS.

² AN "X" IN A PART NUMBER INDICATES NEEDED INFORMATION FOR A COMPLETE PART NUMBER

THIS OUTLINE APPLIES TO THE BLOWERS & MOTORS SHOWN IN TABLES

APPROXIMATE WEIGHT	
BASE, DRIVE & GUARD-	900 LBS
BLOWER	- LBS
MOTOR & S.B.	- LBS
SILENCERS	- LBS
TOTAL WEIGHT	- LBS

Tuthill 800.825.6937

BASE MOUNTED OUTLINE B7000VV1A

SIZE:
C2

DR SY 1-5-90

CH A0 2-2-90