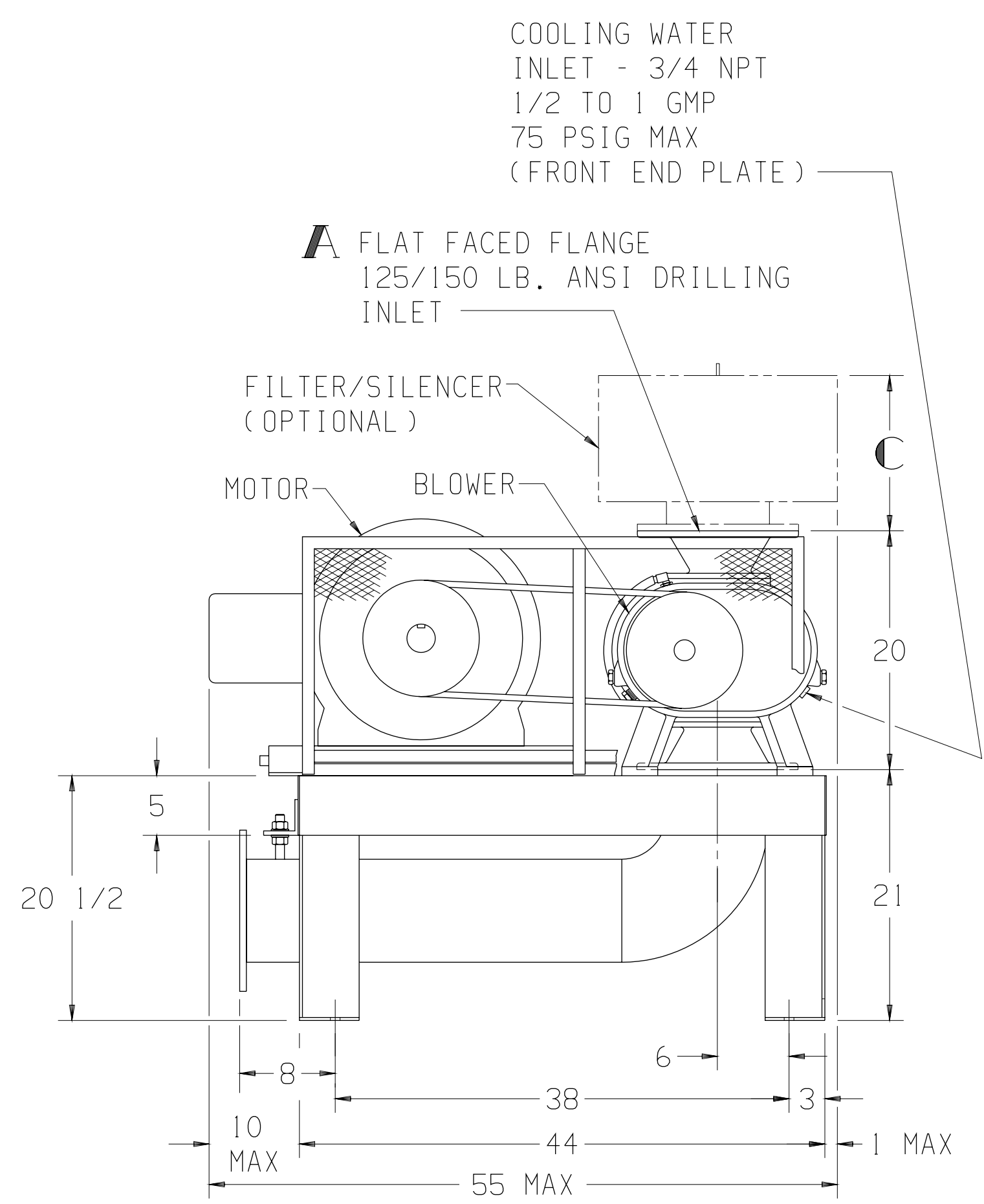
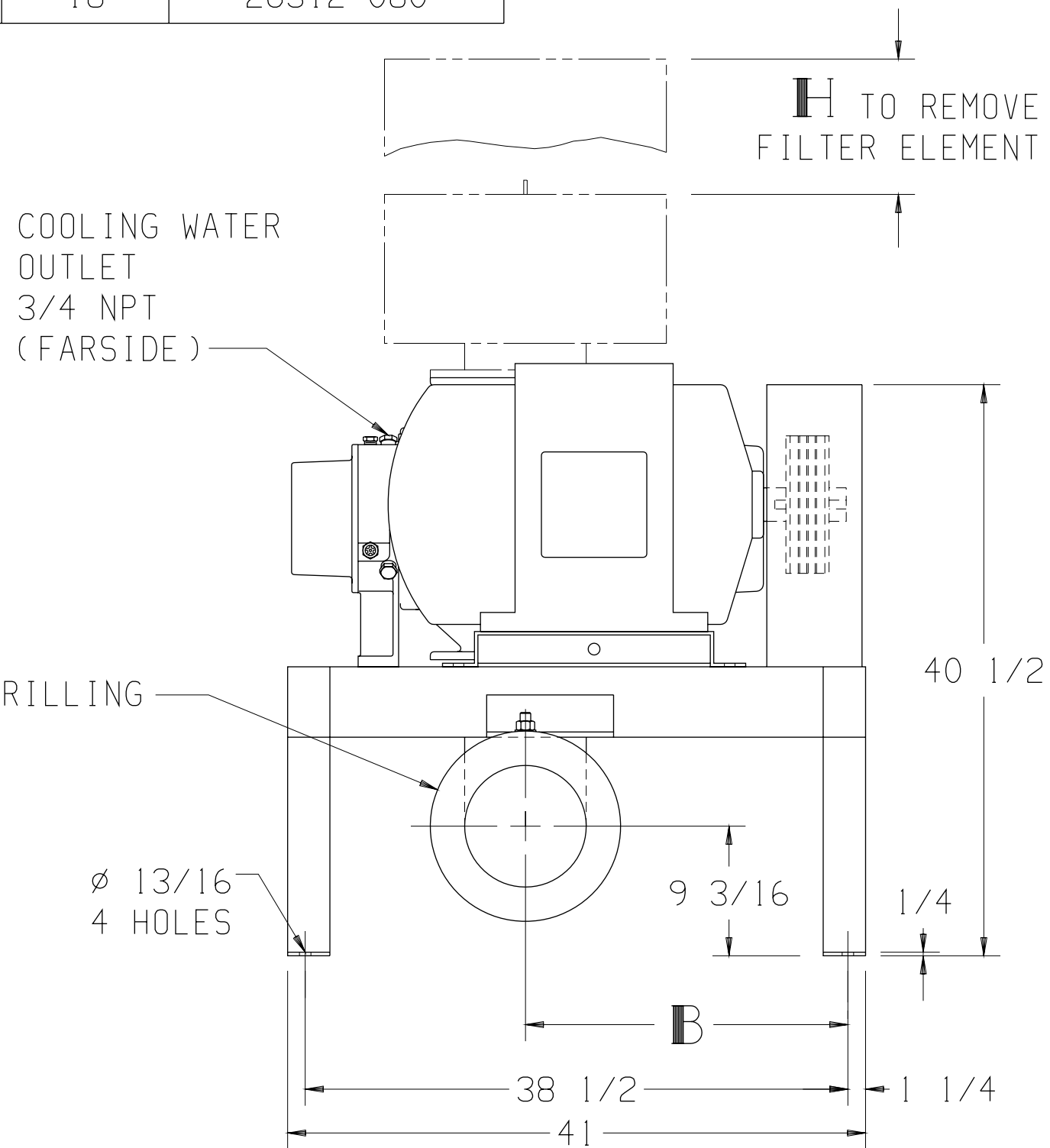


BLOWER	A	B	C	H	FILTER/SILENCER (OPTIONAL)
5511/5611 46E/81E	6 FLG	19 3/8	8 25 5/16	7 9 1/2	28206-060 26312-060
5514/5614 46E/81E	6 FLG	20 7/8	8 25 5/16	7 9 1/2	28206-060 26312-060
5516-46E/81E	8 FLG	21 7/8	13 33 15/16	12 18	28206-080 26312-080
5518/5618 46E/81E	8 FLG	22 7/8	13 33 15/16	12 18	28206-080 26312-080

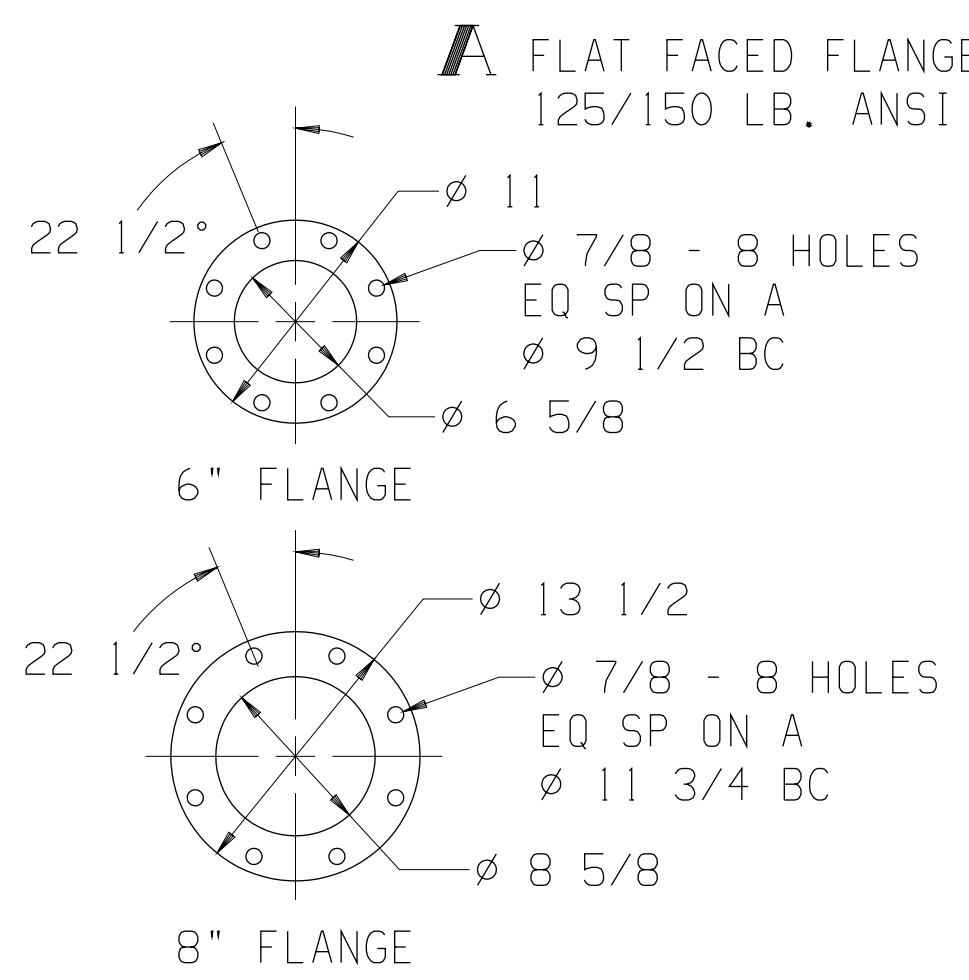
LTR	REVISION	DATE	DR	CH
A	REMOVED ENCLOSURE NOTE (ECN 3123)	9-25-97	CM	LB
B	REVISED C DIMS FOR 26312-XXX FILTER/SILENCER (ECN 3412)	6-29-99	BD	CWM

MOTOR W/SLIDE BASE 1800 RPM, 230/460 V, 3 PH, 60 HZ		
HP	FRAME	TYPE
40	324T	ODP
50	326T	TEFC
60	364T	TEXP
75	365T	SEVERE DUTY TEFC
		SEVERE DUTY TEXP



COOLING WATER  
INLET - 3/4 NPT  
1/2 TO 1 GMP  
75 PSIG MAX  
(FRONT END PLATE)

**A** FLAT FACED FLANGE  
125/150 LB. ANSI DRILLING  
INLET



∅ 13/16  
4 HOLES

APPROXIMATE WEIGHT

BASE, DRIVE & GUARD	-	382	LBS
BLOWER	-	___	LBS
MOTOR & SLIDE BASE	-	___	LBS
PIPING	-	108	LBS
FILTER/SILENCER	-	___	LBS
<b>TOTAL WEIGHT</b>	-	___	<b>LBS</b>

BLOWER MODEL: \_\_\_\_\_

NOTE:  
1. THIS OUTLINE APPLIES TO THE BLOWERS & MOTORS SHOWN IN TABLES  
△ 5511-46E/81E & 5611-46E SERIES WILL BE SPECIAL BLOWERS WITH FLG PORTS

**Tuthill** 800.825.6937

BASE MOUNTED OUTLINE  
B5500VV6L-E

SIZE: C2	
DR	BD 9-5-97 CH LB 9-9-97