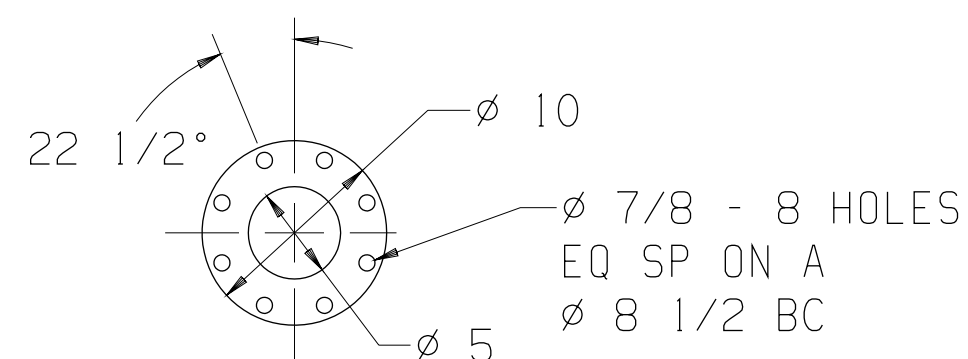
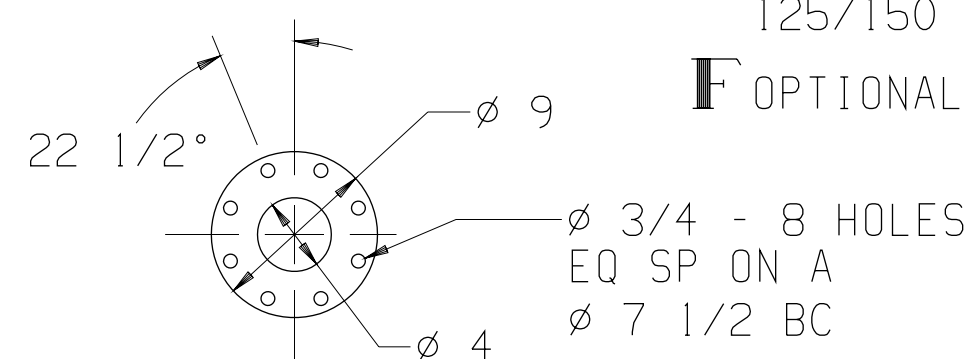


BLOWER	A	B	C	D	E	F	H	FILTER/SILENCER (OPTIONAL)
5507/5607 46/81	4 NPT	17 5/8	6 7/8	7 3/16	4 FLG	4 NPT	7	28206-040
			18 5/16				7 1/2	26312-T40
5509-46/81	5 NPT	18 3/8	6 3/4	6 3/4	5 FLG	5 NPT	7	28206-050
			18 3/4				7 1/2	26312-T50
5511/5611 46/81	5 NPT	19 3/8	6 3/4	6 3/4	5 FLG	5 NPT	7	28206-050
			18 3/4				7 1/2	26312-T50

LTR	REVISION	DATE	DR	CH
A	1) ADD "D, E, F & G" DIMS; 2) ADD UNIVERSAL FLTR/SLCR; 3) ADD DISCH PIPING; 4) ADD 46 MAX DIM; (ECN 2769)	7-25-96	NF	MS
B	ADD MAX DIMS, REMOVE METRIC DIMS (ECN 2893)	10-8-96	NF	AO
C	MOVED BRACKET TO OUTSIDE OF BASE, CHG UNIVERSAL FROM 26512-XXX AND CHANGED CORRESPONDING "C" DIM (ECN 2915 & 2919)	11-7-96	NF	AO
D	REMOVED ENCLOSURE NOTE (ECN 3123)	9-25-97	CM	BD
E	REVISED C DIMS FOR 26312-XXX FILTER/SILENCER (ECN 3412)	6-29-99	BD	CWM

MOTOR W/SLIDE BASE 1800 RPM, 230/460 V, 3 PH, 60 HZ		
HP	FRAME	TYPE
15	254T	ODP
20	256T	TEFC
25	284T	TEXP
30	286T	SEVERE DUTY TEFC
		SEVERE DUTY TEXP

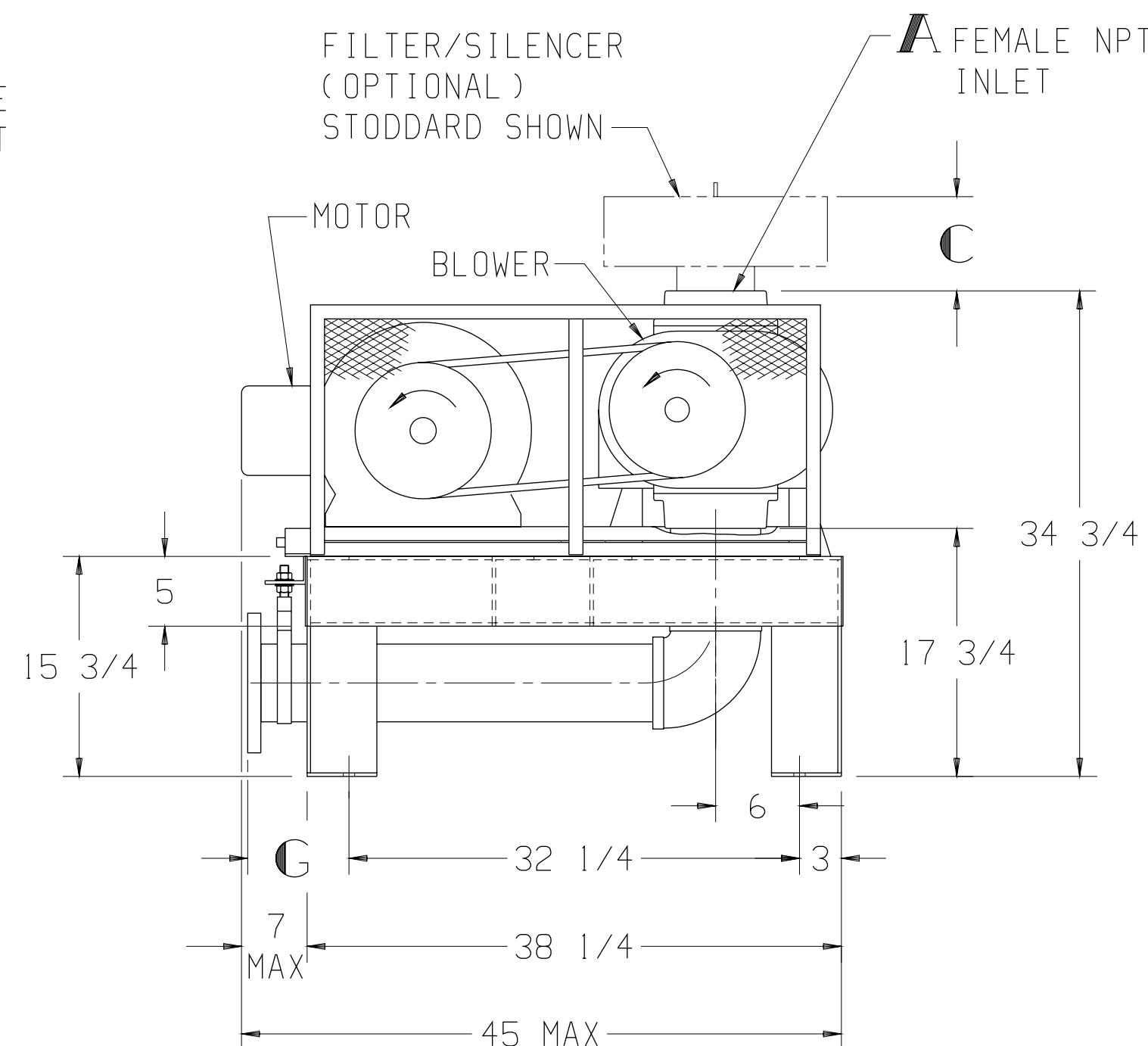
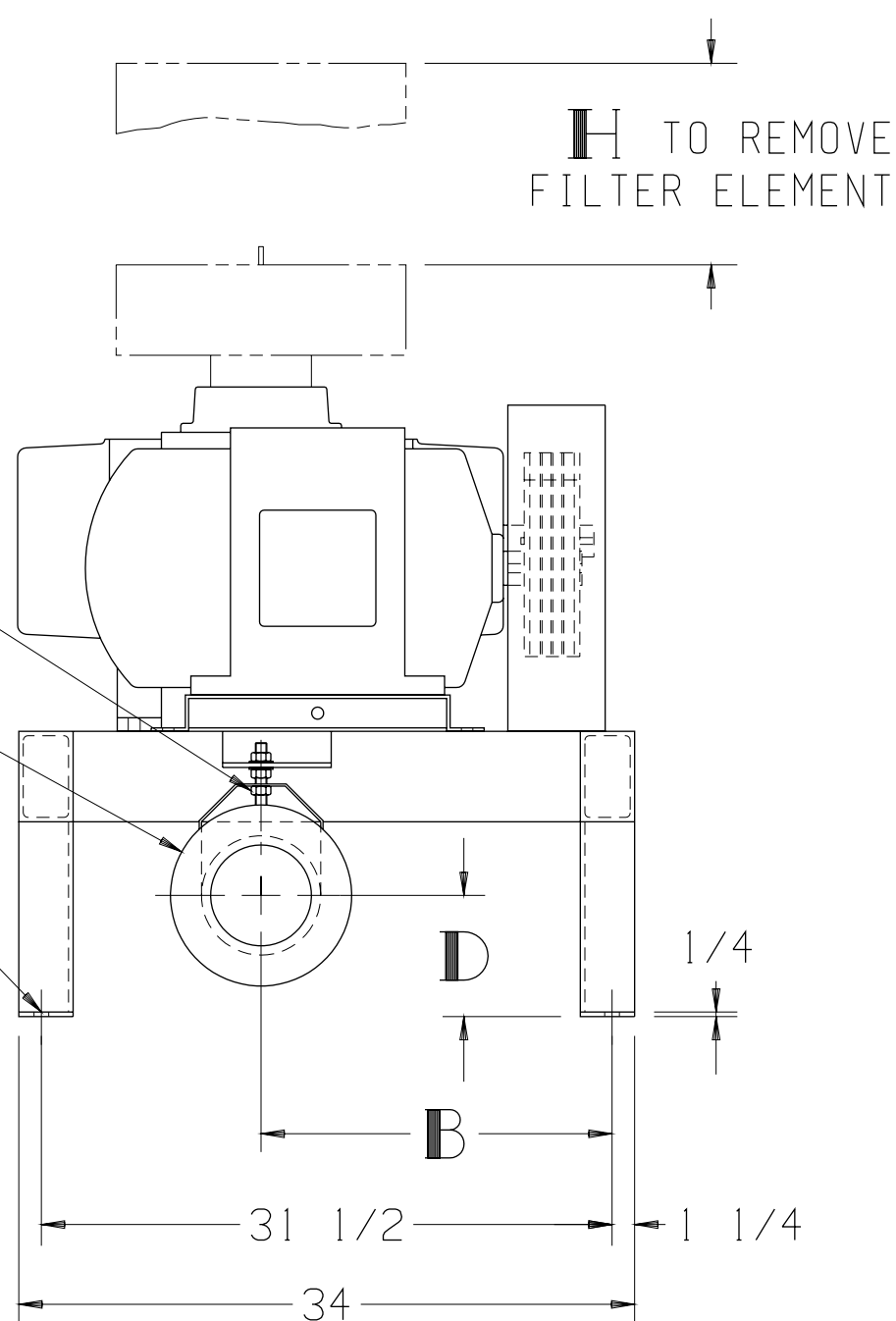
G	
4 FLG	6 7/8
4 NPT	6 11/16
5 FLG	7 7/16
5 NPT	7 1/4



**E** FLAT FACED FLANGE  
125/150 LB. ANSI DRILLING  
**F** OPTIONAL NPT

BOTTOM NUT WELDED TO BRACKET AND ROD

Ø 13/16  
4 HOLES



APPROXIMATE WEIGHT

BASE, DRIVE & GUARD	-	265	LBS
BLOWER	-	---	LBS
MOTOR & SLIDE BASE	-	---	LBS
PIPING	-	66	LBS
FILTER/SILENCER	-	---	LBS
<b>TOTAL WEIGHT</b>	-	---	LBS

NOTE:  
1. THIS OUTLINE APPLIES TO THE BLOWERS & MOTORS SHOWN IN TABLES  
5607 & 5611-81 SERIES WILL BE A SPECIAL BLOWER WITH NPT PORTS

BLOWER MODEL: \_\_\_\_\_

**Tuthill** 800.825.6937

BASE MOUNTED OUTLINE  
B5500VV4L

SIZE: C2	
DR	NF 1-25-96
CH	AO 3-7-96