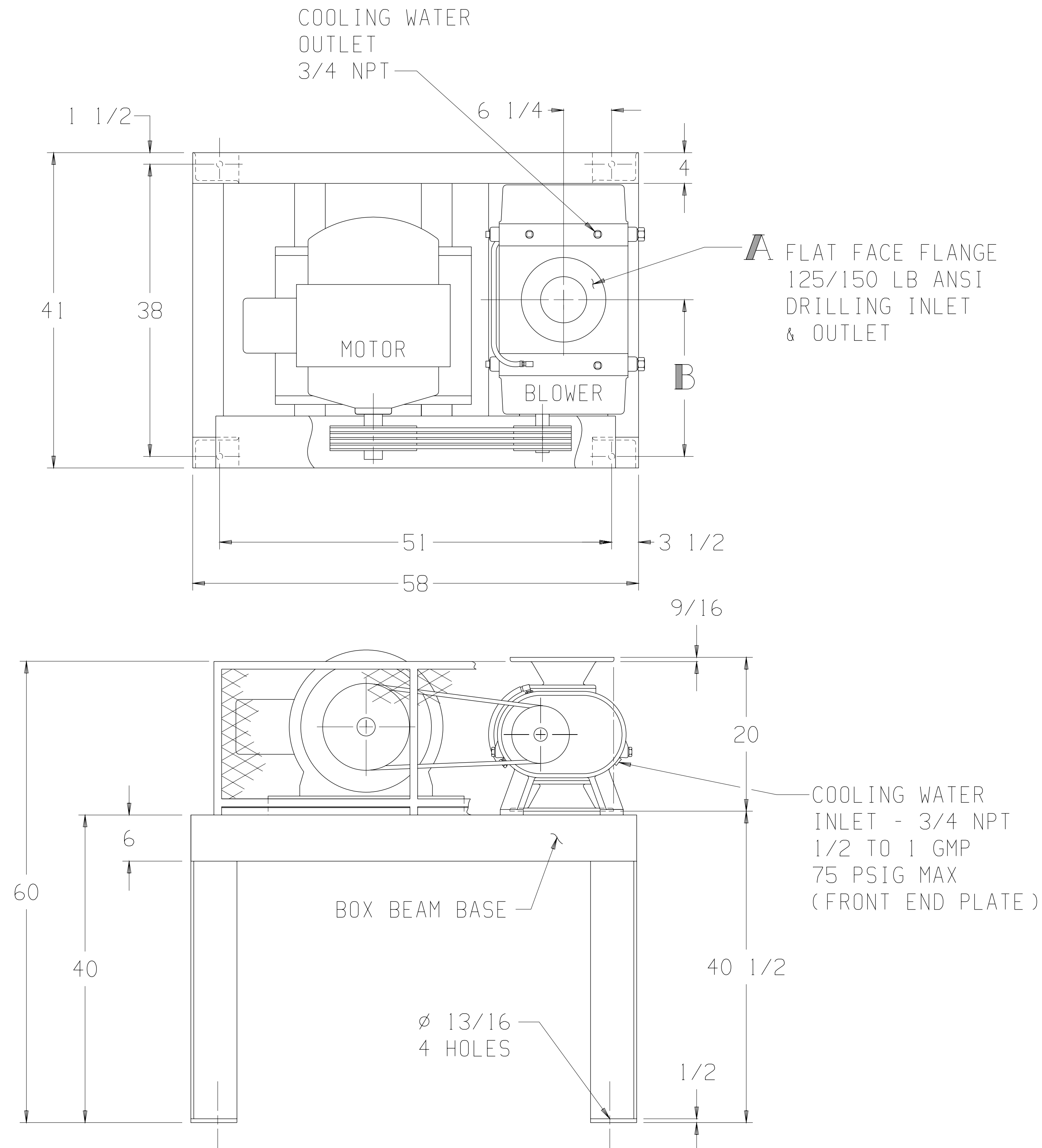


LTR	REVISION	DATE	DR	CH
A	ADDED 67E SERIES & DIMENSIONS (ECN 2118)	6-28-93	CM	SY
B	RE-ROUTED WATER HOSE TO LEFT SIDE (ECN 2991)	3-31-97	SM	LB



MOTOR W/SLIDE BASE 1800 RPM, 230/460 V, 3 PH, 60 HZ		
HP	FRAME	TYPE
40	324T	ODP
50	326T	TEFC
60	364T	TEXP
75	365T	SEVERE DUTY TEFC
		SEVERE DUTY TEXP

BLOWER	A	B
5514-46/81E	6 FLG	20 ⁵ / ₈
5516-46/81E	8 FLG	21 ⁵ / ₈
5518-46/81E	8 FLG	22 ⁵ / ₈
5514-67E ¹	6 FLG	21 ³ / ₈
5516-67E ¹	8 FLG	22 ³ / ₈
5518-67E ¹	8 FLG	23 ³ / ₈

APPROXIMATE WEIGHT

BASE, DRIVE & GUARD-	628	LBS
BLOWER	-	___
MOTOR & SLIDE BASE	-	___
TOTAL WEIGHT	-	___

NOTE:

¹ MOTORS FOR 67 SERIES BLOWERS ARE LIMITED TO 50 HORSEPOWER MAXIMUM.

THIS OUTLINE APPLIES TO THE BLOWERS & MOTORS SHOWN IN TABLES

Tuthill 800.825.6937

BASE MOUNTED OUTLINE B5500VV3L-E

SIZE:
C2

DR BD.9-16-91

CH CM 9-17-91