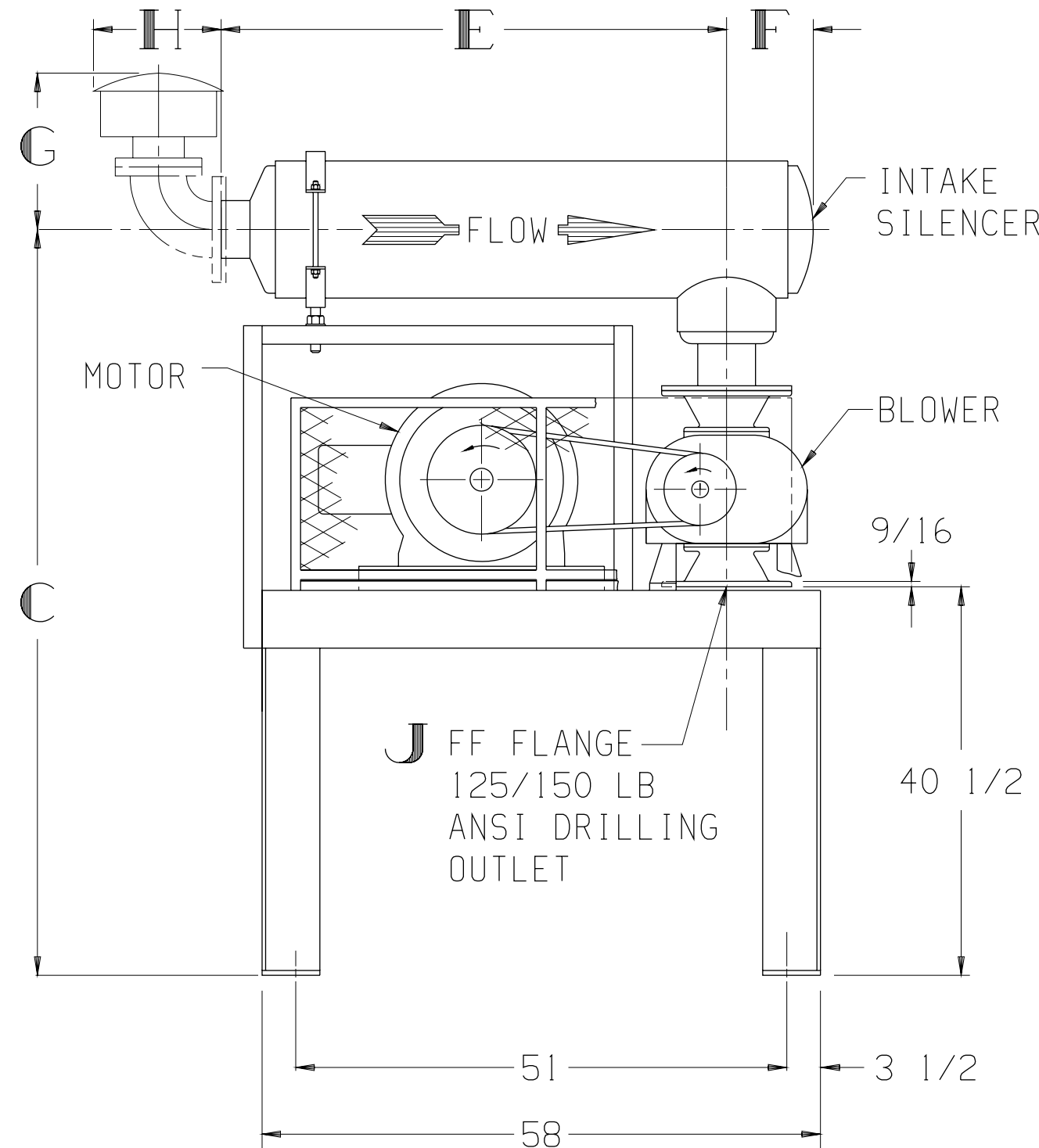
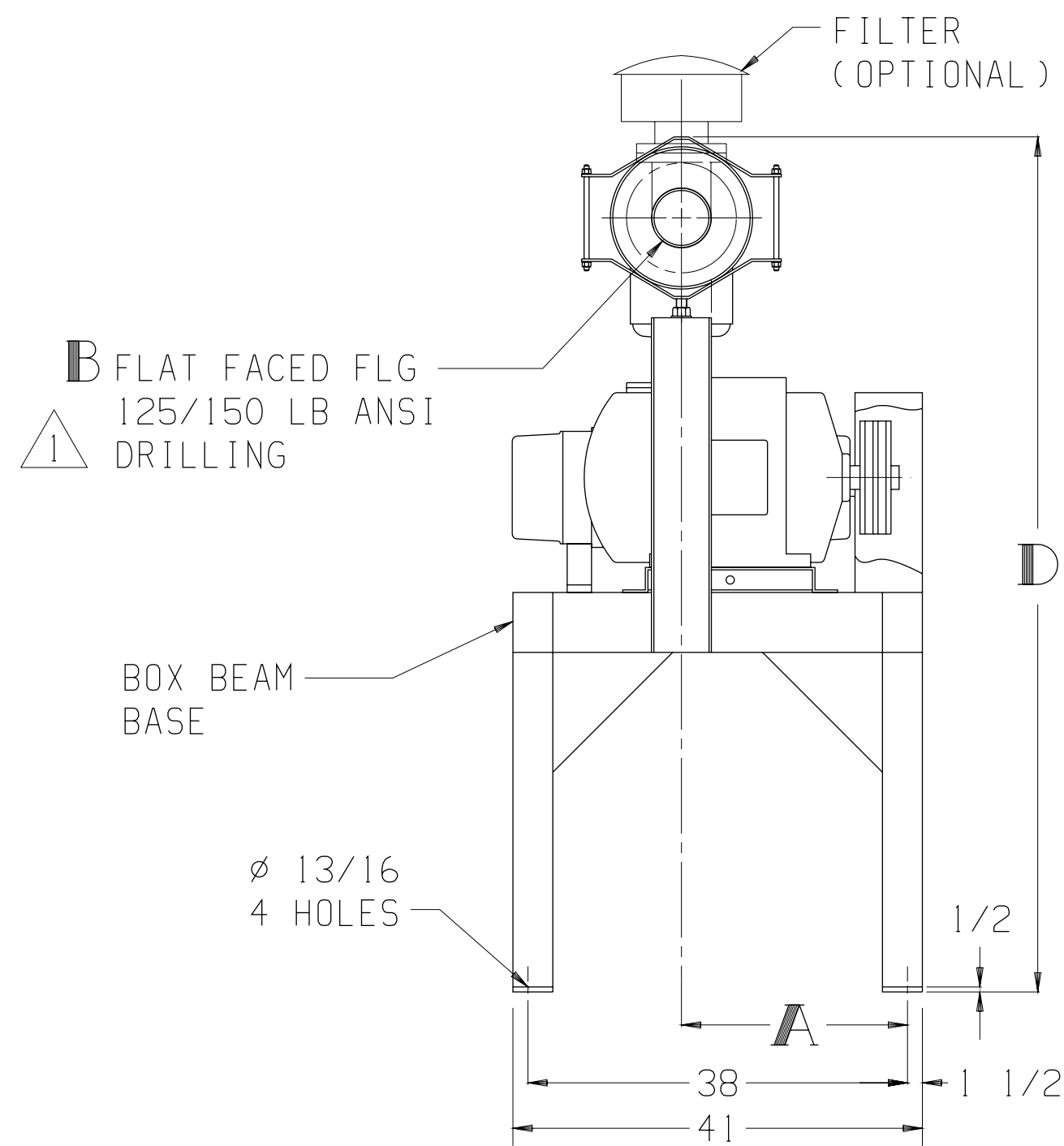


BLOWER	INTAKE SILENCER [△]	B	C	D	E	F
5514	17325-AXXXX	4 FLG	73	78 ³ / ₄	35	7 1/2
	17325-AXXXX	5 FLG	76	83 ¹ / ₄	46	9
	17300-060	6 FLG	77 1/2	85 1/2	52 1/2	9
5516 &	17325-AXXXX	6 FLG	77 1/2	85 1/2	52 1/2	9
5518	17300-080	8 FLG	82	92 1/2	57	12

FILTER (OPTIONAL) [△]	L	M
26512-F40X	17 ¹ / ₁₆	13 ⁵ / ₁₆
26512-F50X	18 ¹ / ₁₆	14 ⁵ / ₁₆
26512-060X	21 ³ / ₈	17 ¹ / ₁₆
26512-080X	30 ¹⁵ / ₁₆	18 ¹ / ₁₆

LTR	REVISION	DATE	DR	CH
C	1) SILENCERS WERE 29551 & 29552; 2) REMOVED 47 SERIES (ECN 4739)	7-19-06	CM	BD

MOTOR W/SLIDE BASE 1800 RPM, 230/460 V, 3 PH, 60 HZ		
HP	FRAME	TYPE
40	324T	ODP
50	326T	TEFC
60	364T	TEXP
75	365T	SEVERE DUTY TEFC
		SEVERE DUTY TEXP



BLOWER	A	J
5514-46/81	20 ⁵ / ₈	6 FLG
5516-46/81	21 ⁵ / ₈	8 FLG
5518-46/81	22 ⁵ / ₈	8 FLG
5514-67 [△]	21 ³ / ₈	6 FLG
5516-67 [△]	22 ³ / ₈	8 FLG
5518-67 [△]	23 ³ / ₈	8 FLG

NOTE:

- [△]1 CONNECTION SIZE SHOWN IN TABLE ABOVE IS A STANDARD CONNECTION. WHEN REQUESTED, CONNECTION OTHER THAN STANDARD CAN BE SUPPLIED. IF SO, IT IS A _____ INLET CONNECTION
- [△]2 AN "X" IN A PART NUMBER INDICATES NEEDED INFORMATION FOR A COMPLETE PART NUMBER
- [△]3 MOTORS FOR 67 SERIES BLOWERS ARE LIMITED TO 50 HORSEPOWER MAXIMUM.

APPROXIMATE WEIGHT	
BASE, DRIVE & GUARD-	700 LBS
BLOWER	- _____ LBS
MOTOR & S.B.	- _____ LBS
SILENCERS	- _____ LBS
FILTER	- _____ LBS
TOTAL WEIGHT	- _____ LBS

THIS OUTLINE APPLIES TO THE BLOWERS & MOTORS SHOWN IN TABLES

Tuthill 800.825.6937

BASE MOUNTED OUTLINE B5500VV3A-IS

SIZE:
C2

DR MJ 12-20-89

CH CM 12-20-89