

BLOWER	INTAKE SILENCER ²	B	C	D	E	F
5507	17300-030	3 NPT	66 1/2	71	29	7
	17300-F40	4 FLG	68	73 3/4	35	7 1/2
5509 & 5511	17300-030	3 NPT	66 1/4	71	29	7
	17300-F40	4 FLG	67	72 3/4	35	7 1/2
5511	17300-F50	5 FLG	68 3/4	75 3/4	46	9
5511	17300-060	6 FLG	69 3/4	78	52 1/2	9

BLOWER	DISCHARGE SILENCER ²	G	H	J	K
5507	17301-030	3 NPT	15	36	7
	17301-F40	4 FLG	12 1/2	42	8
5509 & 5511	17301-030	3 NPT	15 1/4	36	7
	17301-F40	4 FLG	13	42	8
5511	17301-F50	5 FLG	11 3/4	53 1/2	9
5511	17301-060	6 FLG	11 3/4	58	9 3/4

MOTOR W/SLIDE BASE 1800 RPM, 230/460 V. 3 PH. 60 HZ		
HP	FRAME	TYPE
40	324T	ODP
50	326T	TEFC
60	364T	TEXP
75	365T	SEVERE DUTY TEFC
		SEVERE DUTY TEXP

NOTE:

¹ CONNECTION SIZES SHOWN IN TABLES ABOVE ARE STANDARD CONNECTIONS. WHEN REQUESTED, CONNECTIONS OTHER THAN STANDARD CAN BE SUPPLIED. IF SO, THEY ARE _____ INLET & _____ OUTLET CONNECTIONS.

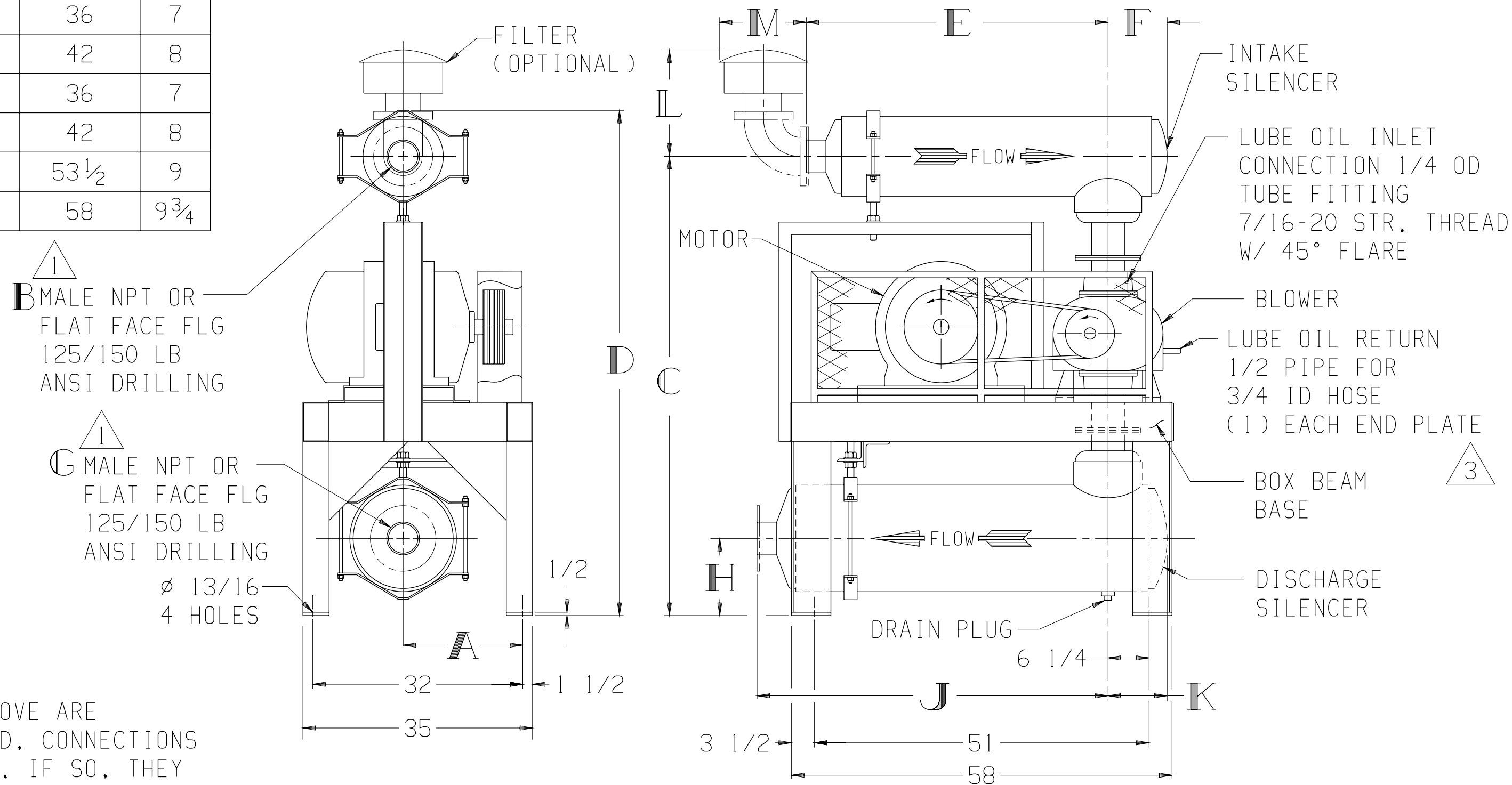
² AN "X" IN A PART NUMBER INDICATES NEEDED INFORMATION FOR A COMPLETE PART NUMBER

³ EXTERNAL LUBE SYSTEM MUST BE LOCATED SO THAT SLOPE FROM BLOWER DRAIN TO TANK INLET IS NOT LESS THAN 1'-0" IN 6'-0"

THIS OUTLINE APPLIES TO THE BLOWERS AND MOTORS SHOWN IN TABLES

BLOWER	A
5507-84/85	17 1/2
5509-84/85	18 1/4
5511-84/85	19 1/4

FILTER (OPTIONAL) ²	L	M
26512-030X	11 9/16	8 13/16
26512-F40X	17 1/16	13 5/16
26512-F50X	18 1/16	14 5/16
26512-060X	21 3/8	17 1/16



APPROXIMATE WEIGHT	
BASE, DRIVE & GUARD-	660 LBS
BLOWER	- _____ LBS
MOTOR & S.B.	- _____ LBS
SILENCERS	- _____ LBS
FILTER	- _____ LBS
TOTAL WEIGHT	- _____ LBS

Tuthill 800.825.6937	
BASE MOUNTED OUTLINE B5500VV2A-L	
SIZE: C2	
DR MJ 10-2-89	CH CM 10-4-89