

LTR	REVISION	DATE	DR	CH
D	SILENCERS WERE 29551 & 29552 (ECN 4739)	7-18-06	CM	CM

BLOWER	DISCHARGE SILENCER ²	C	D	E	F
5507	17301-030	3 NPT	15	36	7
	17301-F40	4 FLG	12½	42	8
5509 & 5511	17301-030	3 NPT	15¼	36	7
	17301-F40	4 FLG	13	42	8
	17301-F50	5 FLG	11¾	53½	9
5511	17301-060	6 FLG	11¾	58	9¾

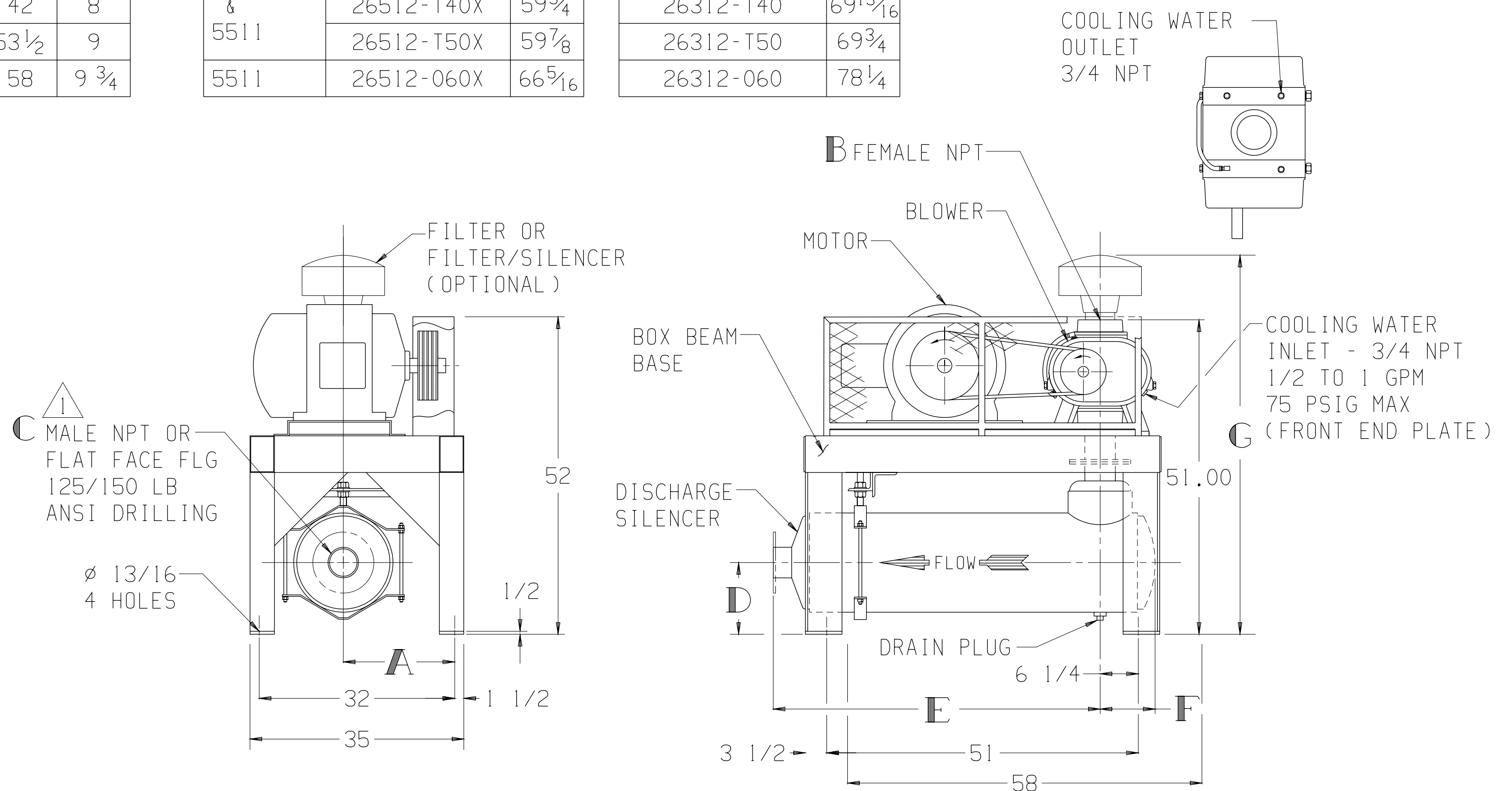
BLOWER	FILTER (OPTIONAL) ²	G	FILTER/SILENCER (OPTIONAL) ²	G
5507	26512-030X	59¾	26312-030	69 ¹⁵ / ₁₆
	26512-T40X	59¼	26312-T40	69 ⁵ / ₁₆
5509 & 5511	26512-030X	59 ⁵ / ₈	26312-030	69 ¹³ / ₁₆
	26512-T40X	59¾	26312-T40	69 ¹³ / ₁₆
5511	26512-T50X	59 ⁷ / ₈	26312-T50	69¾
	26512-060X	66 ⁵ / ₁₆	26312-060	78¼

BLOWER	A	B
5507-46E/81E	17½	4 NPT
5509-46E/81E	18¼	5 NPT
5511-46E/81E	19¼	5 NPT

MOTOR W/SLIDE BASE 1800 RPM, 230/460 V, 3 PH, 60 HZ		
HP	FRAME	TYPE
40	324T	ODP
50	326T	TEFC
60	364T	TEXP
75	365T	SEVERE DUTY TEFC
		SEVERE DUTY TEXP

APPROXIMATE WEIGHT

BASE, DRIVE & GUARD-	580	LBS
BLOWER	-	___ LBS
MOTOR & S.B.	-	___ LBS
SILENCERS	-	___ LBS
FILTER	-	___ LBS
TOTAL WEIGHT	-	___ LBS



NOTE:

¹ CONNECTION SIZE SHOWN IN TABLE ABOVE IS A STANDARD CONNECTION. WHEN REQUESTED, CONNECTION OTHER THAN STANDARD CAN BE SUPPLIED. IF SO, IT IS A _____ OUTLET CONNECTION.

² AN "X" IN A PART NUMBER INDICATES NEEDED INFORMATION FOR A COMPLETE PART NUMBER

THIS OUTLINE APPLIES TO THE BLOWERS AND MOTORS SHOWN IN TABLES

Tuthill 800.825.6937

BASE MOUNTED OUTLINE B5500VV2A-DSE

SIZE:
C2

DR BD 5-18-95

CH LB 5-18-95