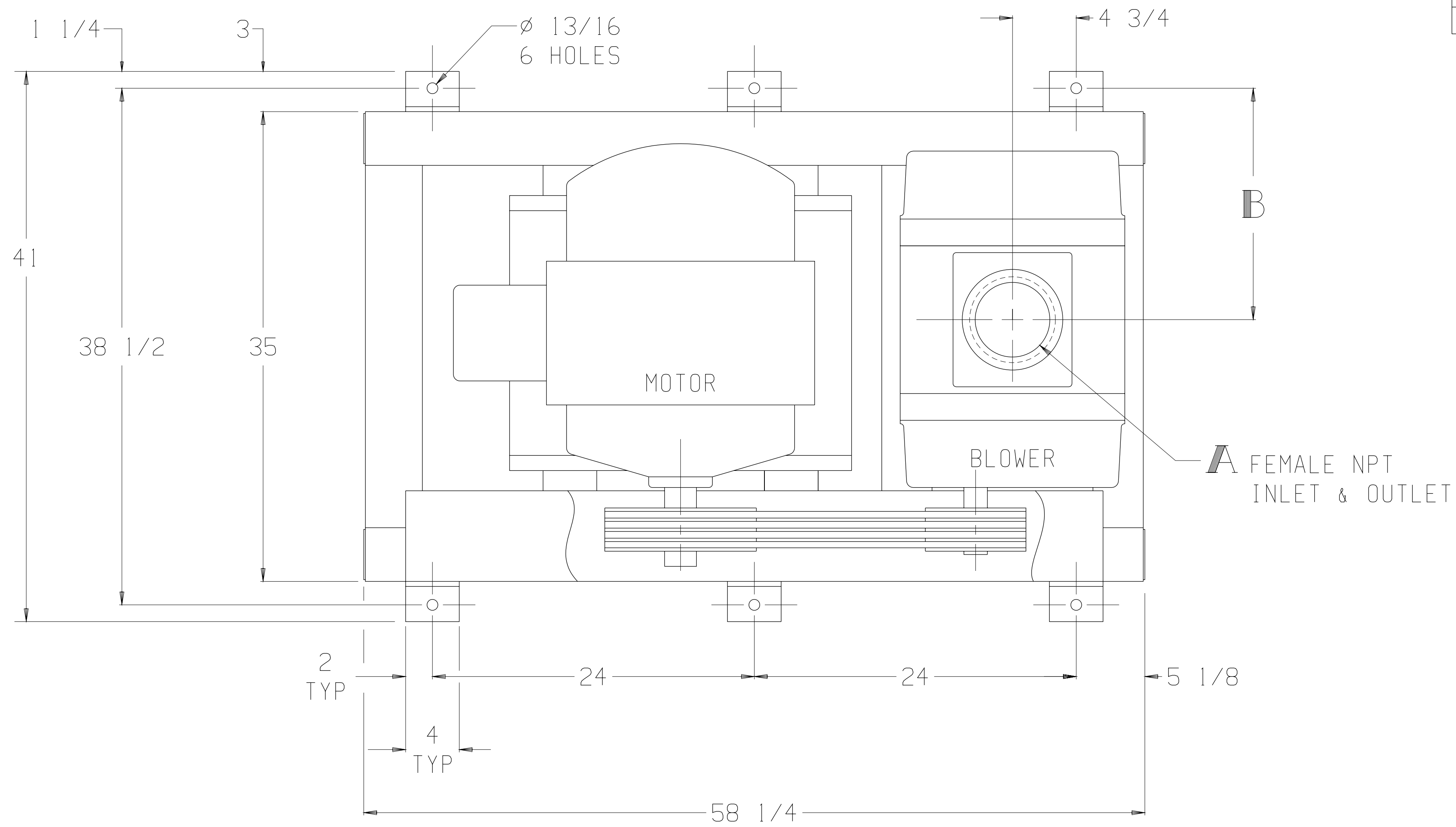
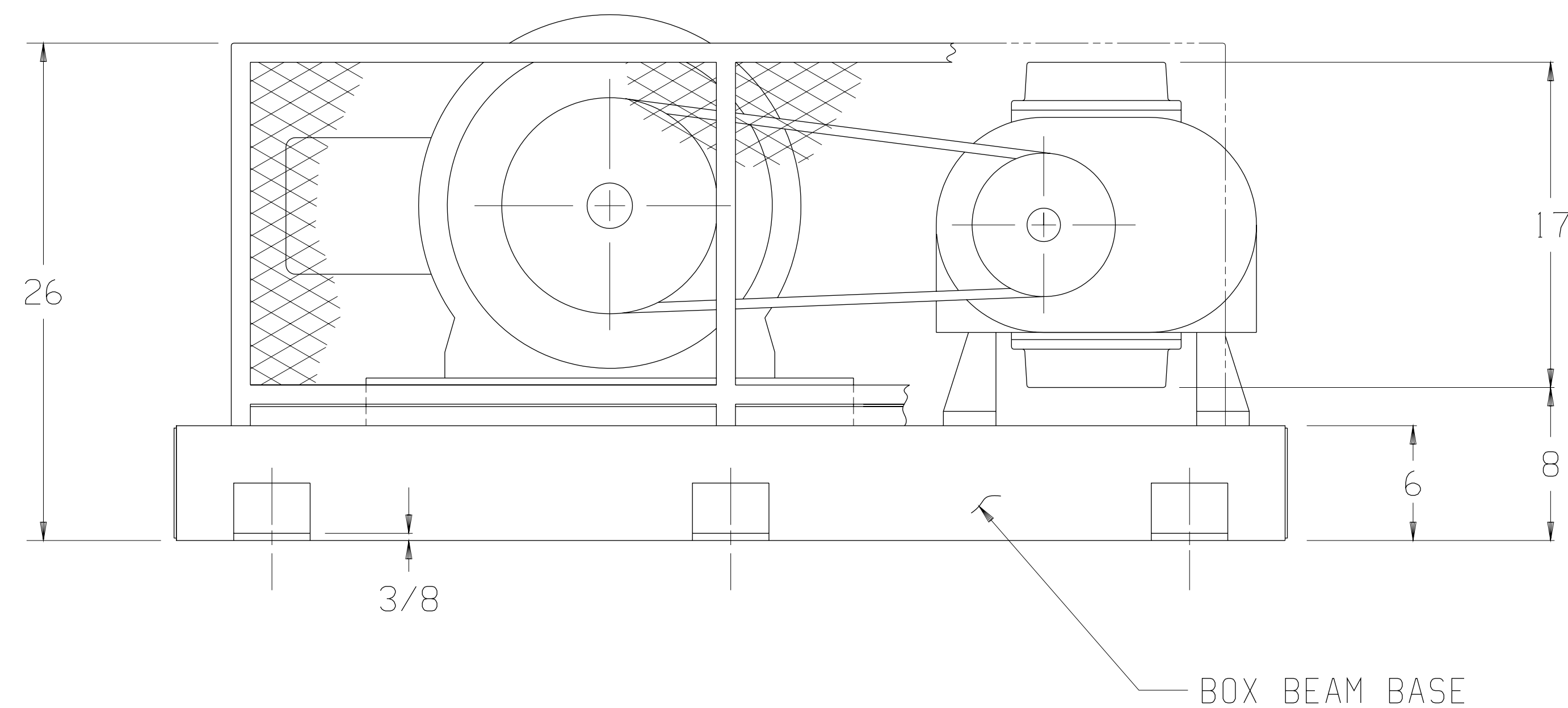


LTR	REVISION	DATE	DR	CH
B	REDRAWN (ECN 1143)	9-15-89	LM	LB
C	REMOVED 47 SERIES (ECN 4739)	7-19-06	CM	CM



MOTOR W/SLIDE BASE 1800 RPM, 230/460 V, 3 PH, 60 HZ		
HP	FRAME	TYPE
40	324T	ODP
50	326T	TEFC
60	364T	TEXP
75	365T	SEVERE DUTY TEFC
		SEVERE DUTY TEXP

BLOWER	A	B
5507-46/81	4 NPT	17 ⁷ / ₈
5509-46/81	5 NPT	17 ¹ / ₈
5511-46/81	5 NPT	16 ¹ / ₈



APPROXIMATE WEIGHT
 BASE, DRIVE & GUARD - 435 LBS
 BLOWER - ___ LBS
 MOTOR & SLIDE BASE - ___ LBS
 TOTAL WEIGHT - ___ LBS

THIS OUTLINE APPLIES TO THE BLOWERS
& MOTORS SHOWN IN TABLES

Tuthill 800.825.6937

BASE MOUNTED OUTLINE B5500VV2

SIZE:
C2

DR LM 6-1-89

CH LB 6-7-89