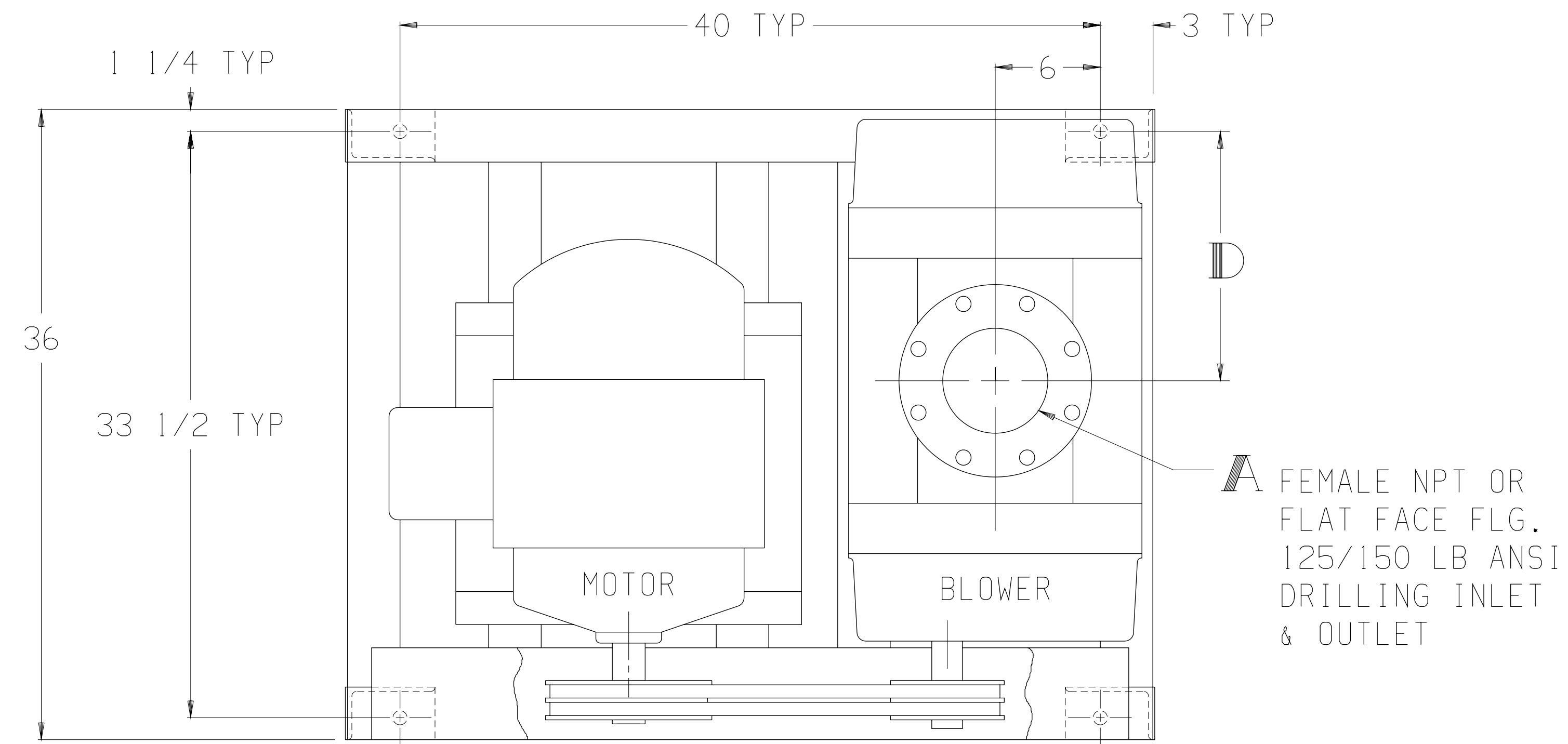
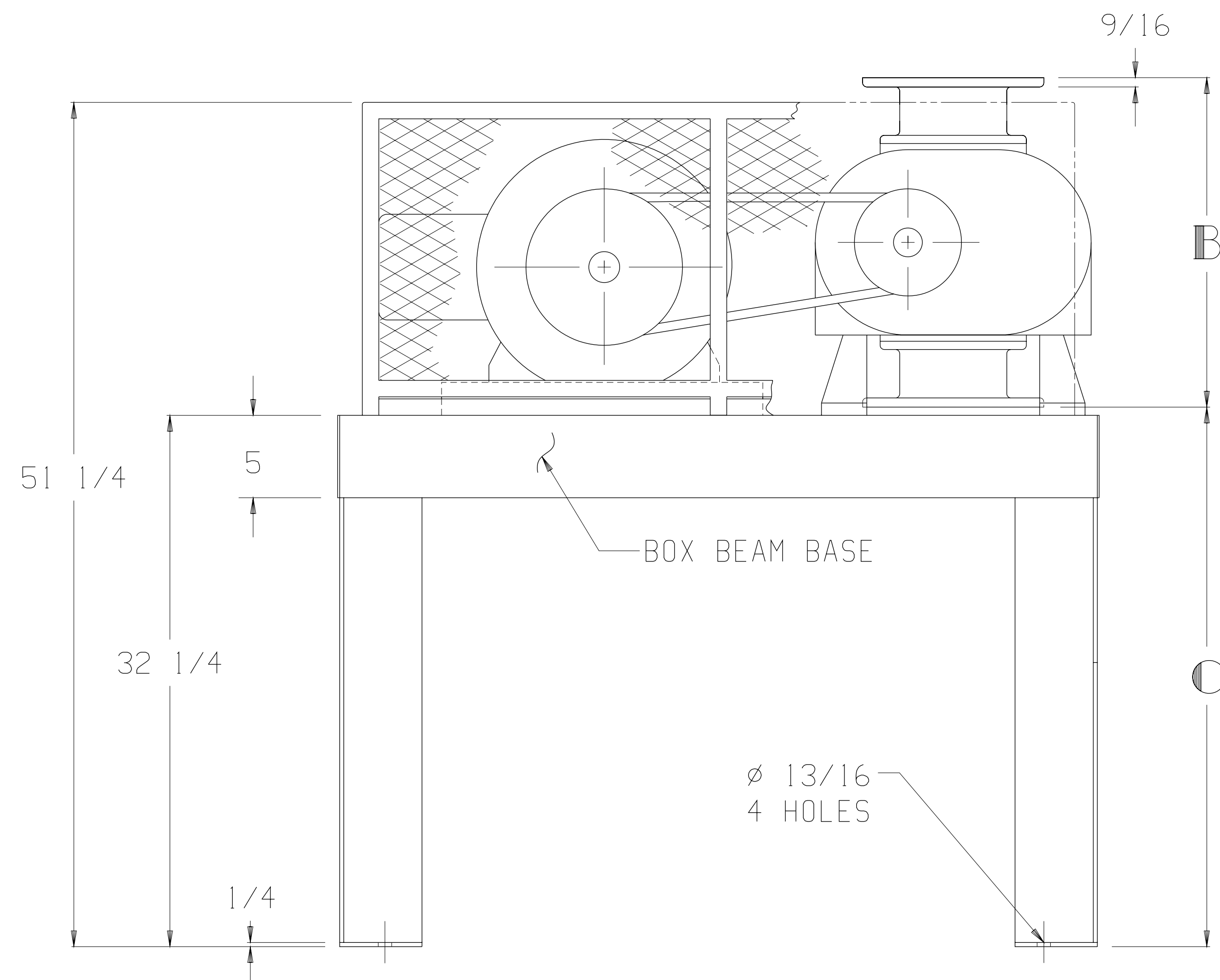


LTR	REVISION	DATE	DR	CH
B	REDRAWN (ECN 1134 & 1143)	9-1-89	LM	LB
C	REMOVED 47 SERIES (ECN 4739)	7-19-06	CM	CM



BLOWER	A	B	C	D
5507-46/81	4 NPT	17	34 1/4	17 1/2
5509-46/81	5 NPT	17	34 1/4	16 3/4
5511-46/81	5 NPT	17	34 1/4	15 3/4
5514-46/81	6 FLG	20	32 3/4	14 1/4

MOTOR W/SLIDE BASE 1800 RPM, 230/460 V, 3 PH, 60 HZ		
HP	FRAME	TYPE
15	254T	ODP
20	256T	TEFC
25	284T	TEXP
30	286T	SEVERE DUTY TEFC
		SEVERE DUTY TEXP



APPROXIMATE WEIGHT

BASE, DRIVE & GUARD	-	367	LBS
BLOWER	-	___	LBS
MOTOR & SLIDE BASE	-	___	LBS
TOTAL WEIGHT	-	___	LBS

THIS OUTLINE APPLIES TO THE BLOWERS & MOTORS SHOWN IN TABLES

Tuthill 800.825.6937

BASE MOUNTED OUTLINE B5500VV1L

SIZE:	
C2	
DR MJ 8-19-89	CH CM 8-24-89