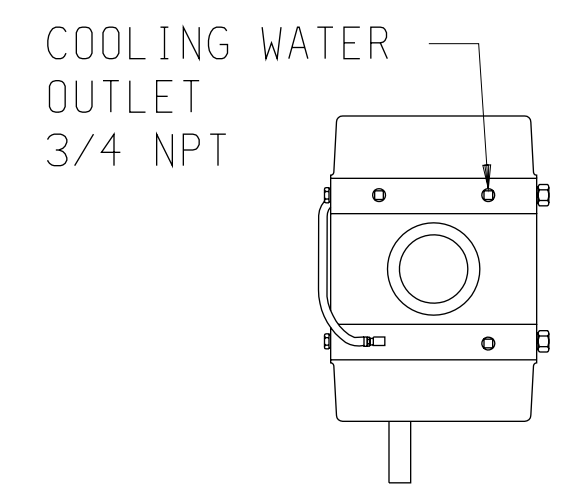


BLOWER	INLET SILENCER ²	B	C	D	E	F
5507	17300-030	3 NPT	66 ³ / ₄	71 ¹ / ₄	29	7
	17300-F40	4 FLG	67 ³ / ₄	73 ¹ / ₂	35	7 ¹ / ₂
5509 & 5511	17300-030	3 NPT	66 ³ / ₄	71 ¹ / ₄	29	7
	17300-F40	4 FLG	68	73 ³ / ₄	35	7 ¹ / ₂
	17300-F50	5 FLG	69	76	46	9
5514	17325-AXXXX	4 FLG	65 ¹ / ₄	71	35	7 ¹ / ₂
	17325-AXXXX	5 FLG	68 ¹ / ₄	75 ¹ / ₄	46	9
	17300-060	6 FLG	69 ³ / ₄	77 ³ / ₄	52 ¹ / ₂	9

BLOWER	A
5507-46E/81E	16
5509-46E/81E	16 ³ / ₄
5511-46E/81E	17 ³ / ₄
5514-46E/81E	19 ¹ / ₄

LTR	REVISION	DATE	DR	CH
C	SILENCERS WERE 29551 & 29552 (ECN 4739)	7-17-06	CM	CM

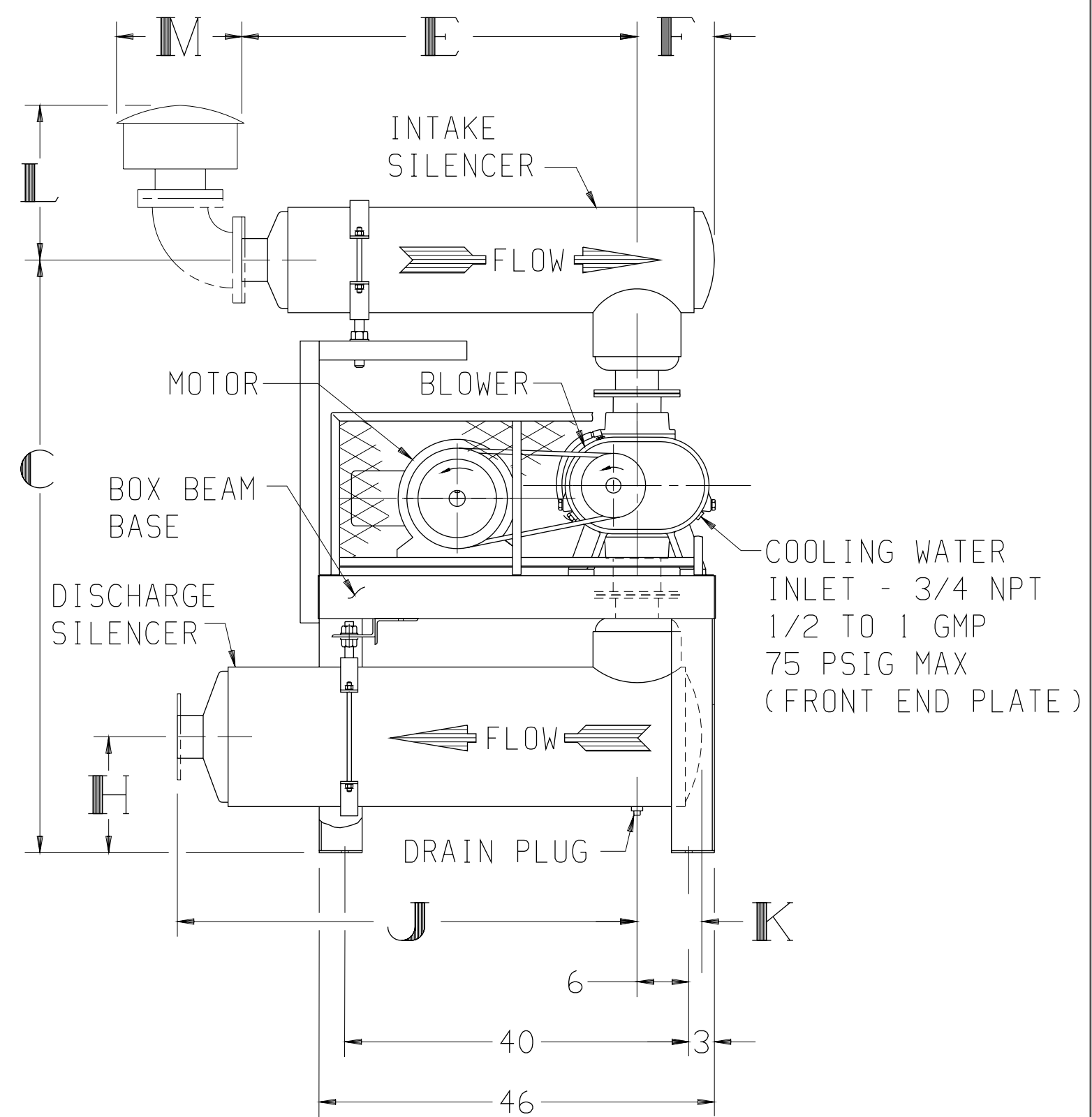
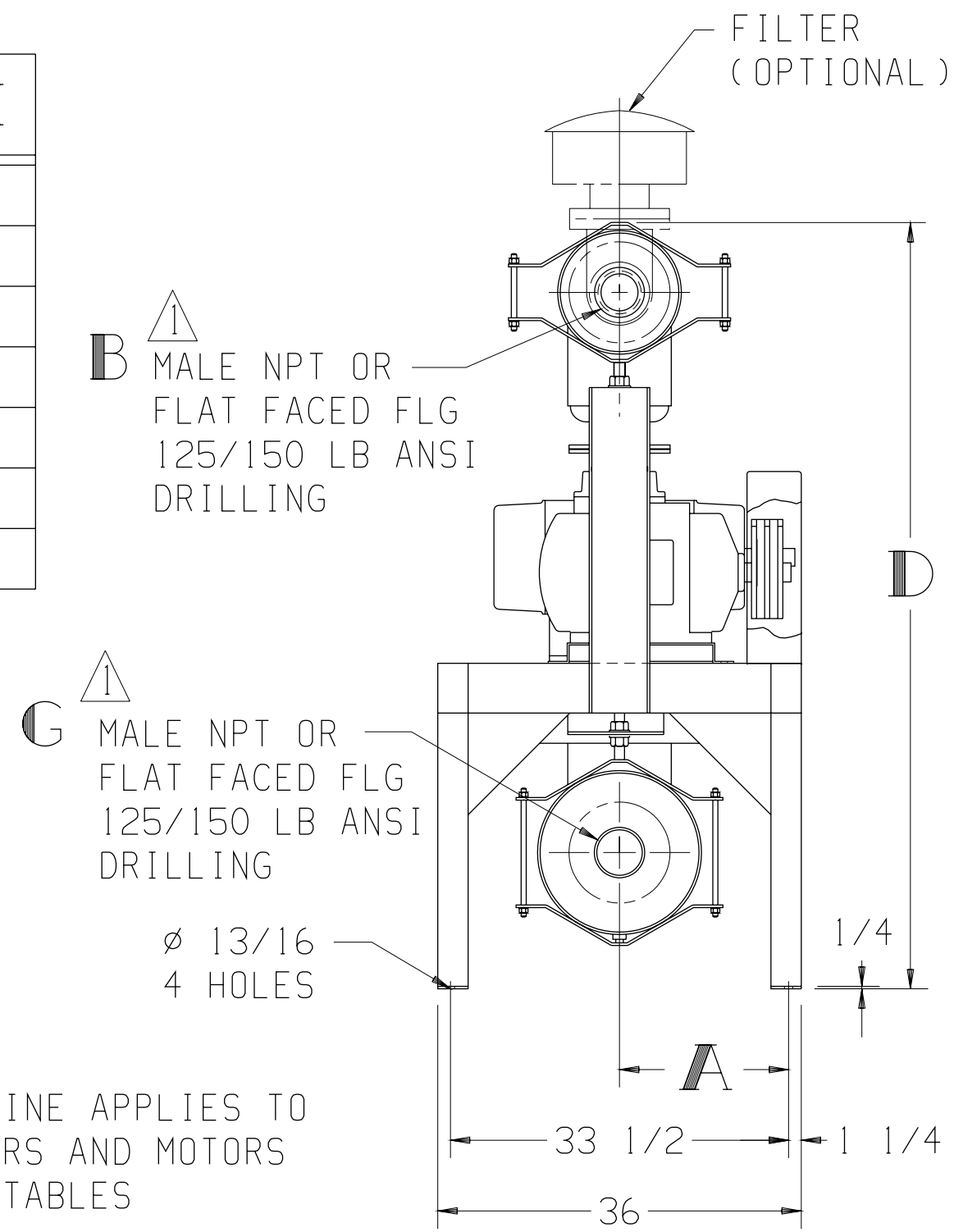
FILTER ² (OPTIONAL)	L	M
26512-030X	11 ⁹ / ₁₆	8 ¹³ / ₁₆
26512-F40X	17 ¹ / ₁₆	13 ⁵ / ₁₆
26512-F50X	18 ¹ / ₁₆	14 ⁵ / ₁₆
26512-060X	21 ³ / ₈	17 ¹ / ₁₆



BLOWER	DISCHARGE SILENCER ²	G	H	J	K
5507	17301-030	3 NPT	16 ¹ / ₄	36	7
	17301-F40	4 FLG	14 ³ / ₄	42	8
5509 & 5511	17301-030	3 NPT	16 ³ / ₄	36	7
	17301-F40	4 FLG	14	42	8
	17301-F50	5 FLG	13 ¹ / ₂	53 ¹ / ₂	9
5514	17326-AXXXX	4 FLG	18 ¹ / ₄	42	8
	17326-AXXXX	5 FLG	16 ¹ / ₄	53 ¹ / ₂	9

MOTOR W/SLIDE BASE 1800 RPM, 230/460 V, 3 PH, 60 HZ		
HP	FRAME	TYPE
15	254T	ODP
20	256T	TEFC
25	284T	TEXP
30	286T	SEVERE DUTY TEFC
		SEVERE DUTY TEXP

THIS OUTLINE APPLIES TO THE BLOWERS AND MOTORS SHOWN IN TABLES



NOTE:

¹ CONNECTION SIZES SHOWN IN TABLES ABOVE ARE STANDARD CONNECTIONS. WHEN REQUESTED, CONNECTIONS OTHER THAN STANDARD CAN BE SUPPLIED. IF SO, THEY ARE _____ INLET & _____ OUTLET CONNECTIONS.

² AN "X" IN A PART NUMBER INDICATES NEEDED INFORMATION FOR A COMPLETE PART NUMBER

APPROXIMATE WEIGHT

BASE, DRIVE & GUARD-	432	LBS
BLOWER	-	___ LBS
MOTOR & S.B.	-	___ LBS
SILENCERS	-	___ LBS
FILTER	-	___ LBS
TOTAL WEIGHT	-	___ LBS

Tuthill 800.825.6937

BASE MOUNTED OUTLINE B5500VV1A-E

SIZE: C2	
-------------	--

DR JS 12-19-91 CH BD 12-20-91