

LTR	REVISION	DATE	DR	CH
C	1) SILENCERS WERE 29551 & 29552; 2) REMOVED 47 SERIES (ECN 4739)	7-14-06	CM	CM

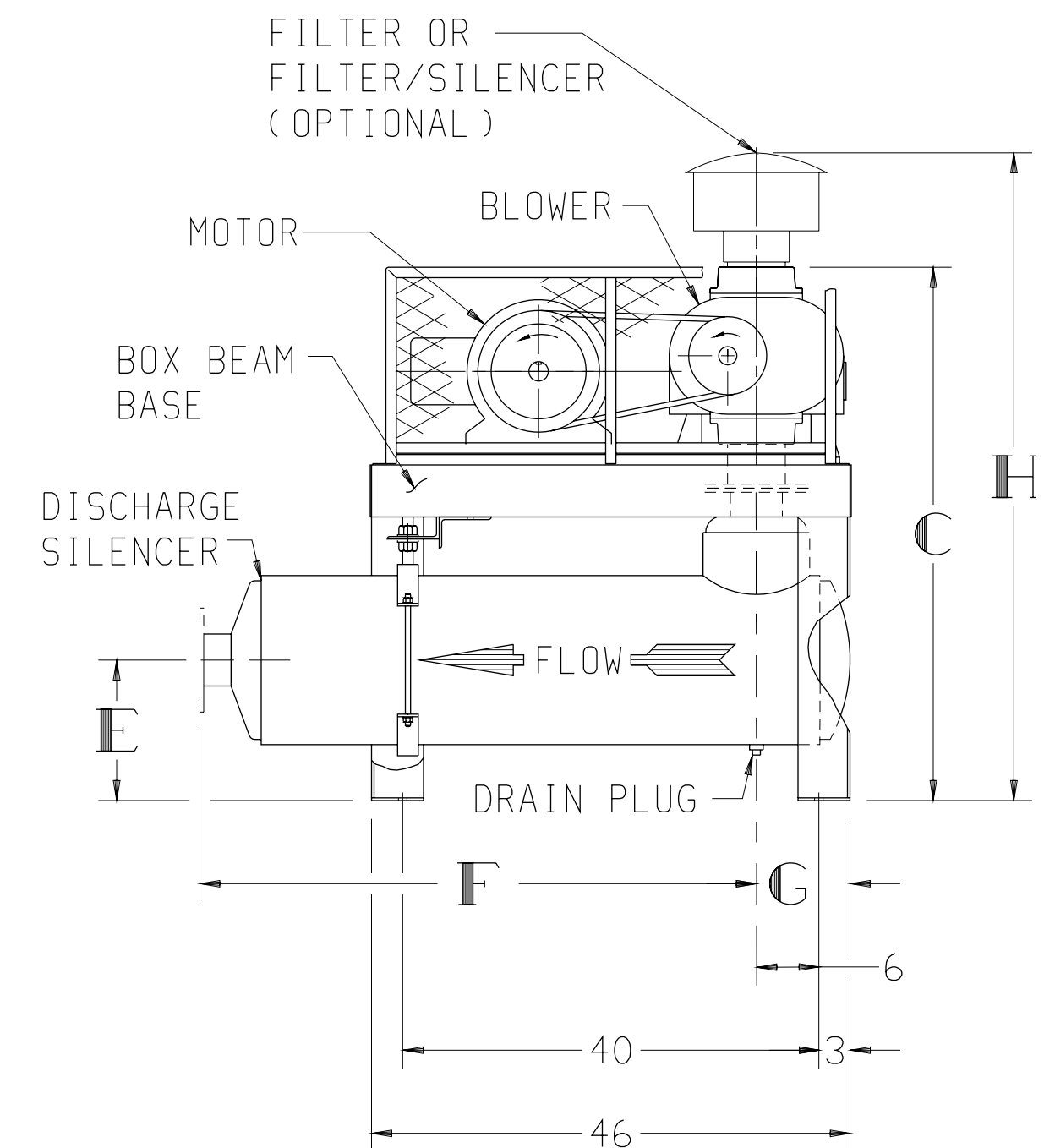
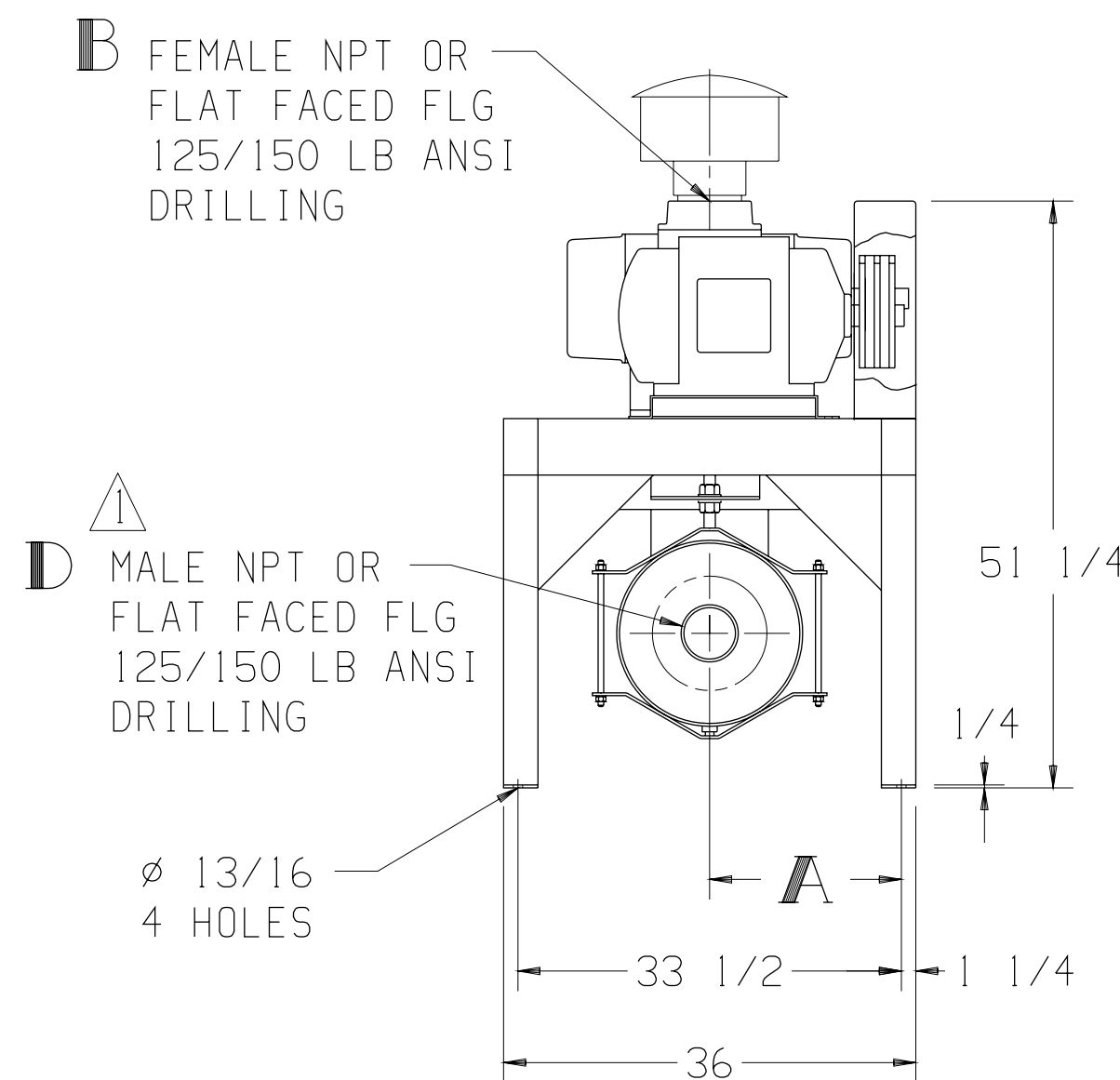
BLOWER	DISCHARGE SILENCER ^{△1}	D	E	F	G
5507	17301-030	3 NPT	16 1/4	36	7
	17301-F40	4 FLG	14 3/4	42	8
5509 & 5511	17301-030	3 NPT	16 3/4	36	7
	17301-F40	4 FLG	14	42	8
	17301-F50	5 FLG	13 1/2	53 1/2	9
5514	17326-Axxxx	4 FLG	18 1/4	42	8
	17326-Axxxx	5 FLG	16 1/4	53 1/2	9

BLOWER	A	B	C
5507-46/81	16	4 NPT	51 1/4
5509-46/81	16 3/4	5 NPT	51 1/4
5511-46/81	17 3/4	5 NPT	51 1/4
5514-46/81	19 1/4	6 FLG	52 3/4

BLOWER	FILTER (OPTIONAL) ^{△2}	H	FILTER/SILENCER (OPTIONAL) ^{△2}	H
5507	26512-030X	60	26312-030X	70 3/16
	26512-T40X	59 1/2	26312-T40X	69 9/16
5509 & 5511	26512-030X	60 1/4	26312-030X	70 7/16
	26512-T40X	60 1/8	26312-T40X	70 3/16
	26512-T50X	60 1/8	26312-T50X	70
5514	26512-T40X	62 3/8	26312-T40X	72 7/16
	26512-T50X	63 1/8	26312-T50X	73
	26512-060X	66 1/8	26312-060X	78 1/16

MOTOR W/SLIDE BASE 1800 RPM, 230/460 V, 3 PH, 60 HZ		
HP	FRAME	TYPE
15	254T	ODP
20	256T	TEFC
25	284T	TEXP
30	286T	SEVERE DUTY TEFC
		SEVERE DUTY TEXP

THIS OUTLINE APPLIES TO THE BLOWERS AND MOTORS SHOWN IN TABLES



APPROXIMATE WEIGHT	
BASE, DRIVE & GUARD-	432 LBS
BLOWER	- LBS
MOTOR & S.B.	- LBS
SILENCERS	- LBS
FILTER	- LBS
TOTAL WEIGHT	- LBS

NOTE:

¹ CONNECTION SIZE SHOWN IN TABLE ABOVE IS A STANDARD CONNECTION. WHEN REQUESTED, CONNECTION OTHER THAN STANDARD CAN BE SUPPLIED. IF SO, IT IS A _____ OUTLET CONNECTION.

² AN "X" IN A PART NUMBER INDICATES NEEDED INFORMATION FOR A COMPLETE PART NUMBER

Tuthill 800.825.6937

BASE MOUNTED OUTLINE B5500VV1A-DS

SIZE:
C2

DR LM 10-19-89

CH CM 10-23-89