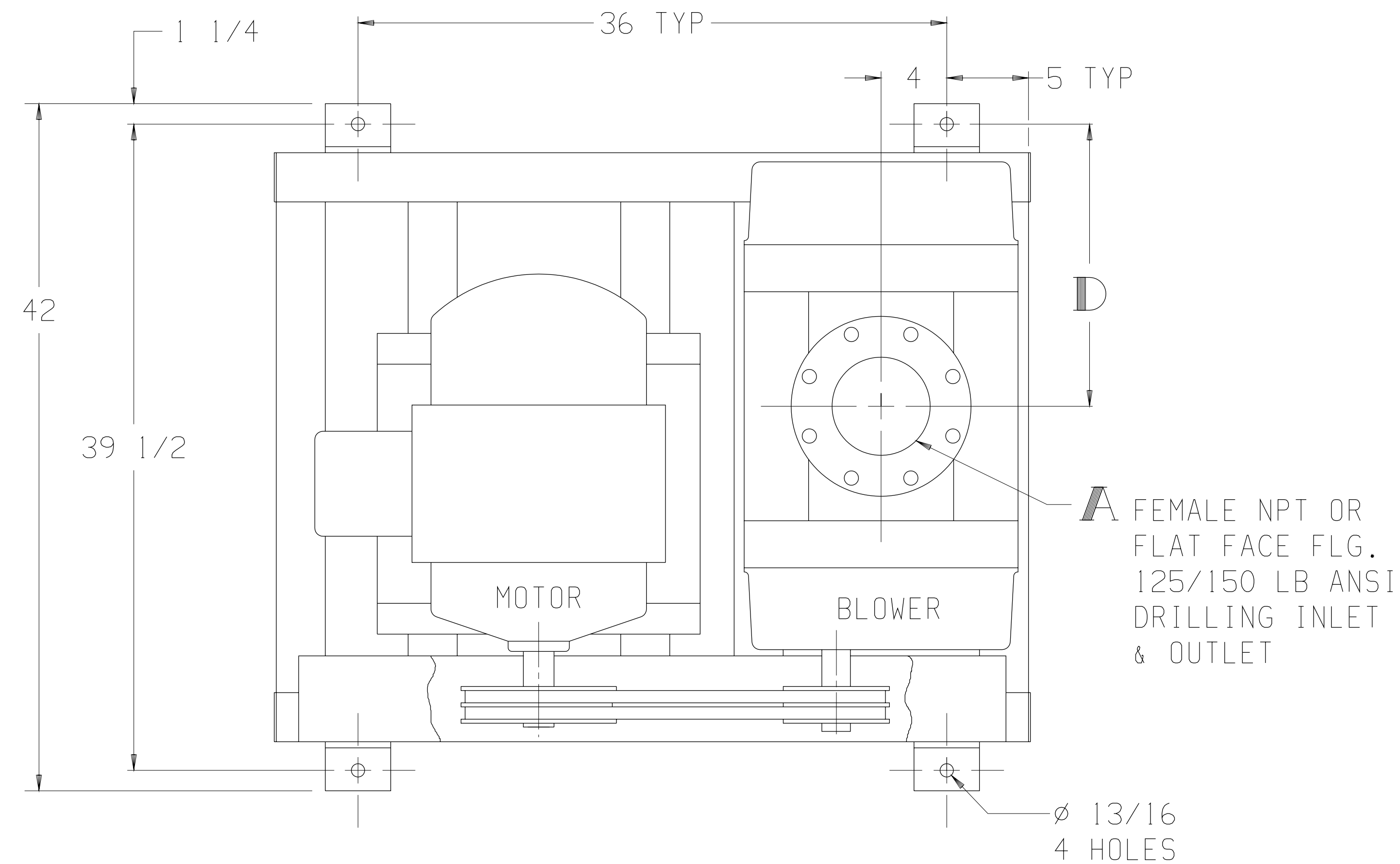
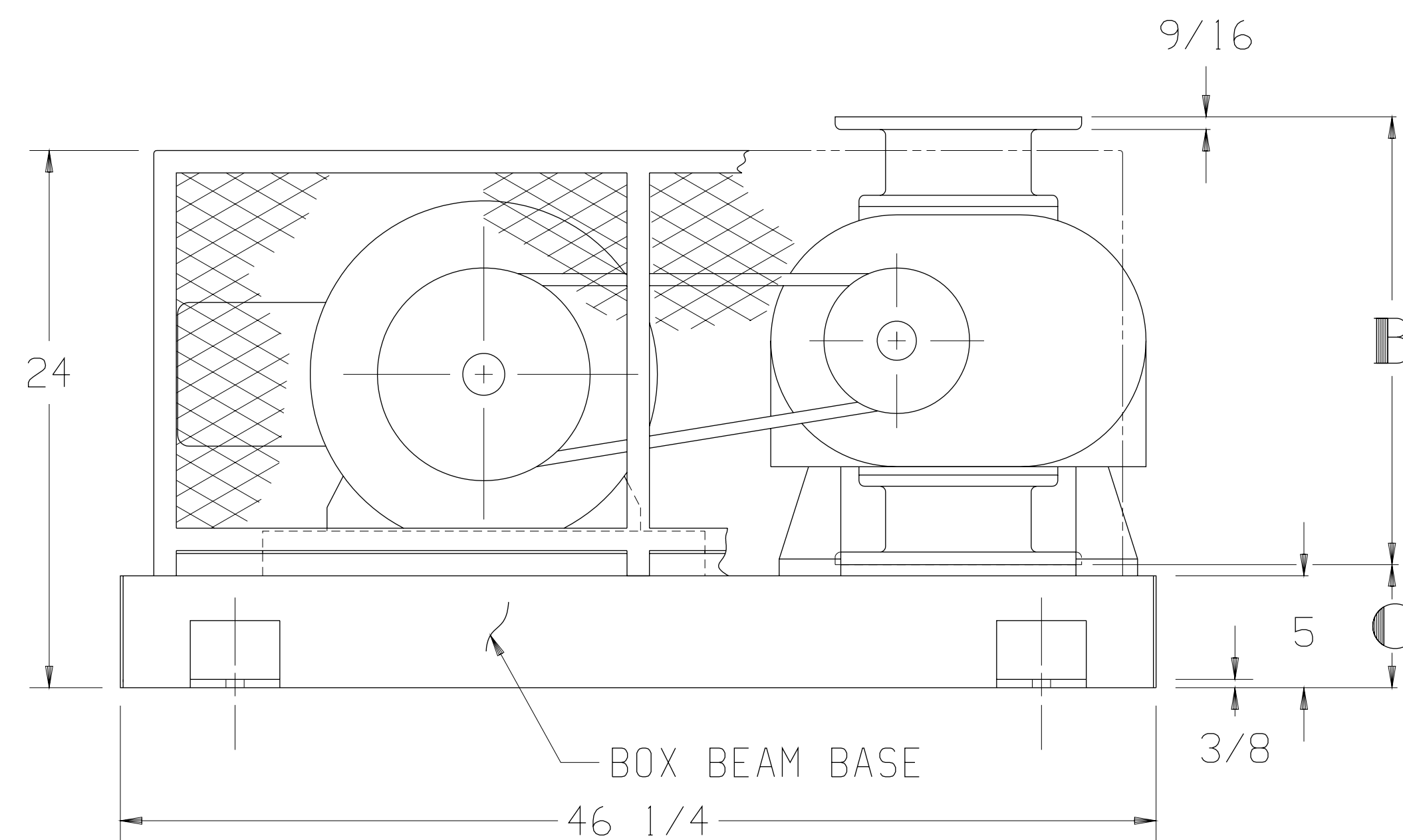


LTR	REVISION	DATE	DR	CH
B	REDRAWN (ECN 1134 & 1143)	8-31-89	LM	LB
C	REMOVED 47 SERIES (ECN 4739)	7-19-06	CM	CM



MOTOR W/SLIDE BASE 1800 RPM, 230/460 V, 3 PH, 60 HZ		
HP	FRAME	TYPE
15	254T	ODP
20	256T	TEFC
25	284T	TEXP
30	286T	SEVERE DUTY TEFC
		SEVERE DUTY TEXP

BLOWER	A	B	C	D
5507-46/81	4 NPT	17	7	20 1/2
5509-46/81	5 NPT	17	7	19 3/4
5511-46/81	5 NPT	17	7	18 3/4
5514-46/81	6 FLG	20	5 1/2	17 1/4



APPROXIMATE WEIGHT

BASE, DRIVE & GUARD	-	275	LBS
BLOWER	-	___	LBS
MOTOR & SLIDE BASE	-	___	LBS
TOTAL WEIGHT	-	___	LBS

THIS OUTLINE APPLIES TO THE BLOWERS
& MOTORS SHOWN IN TABLES

Tuthill 800.825.6937

BASE MOUNTED OUTLINE B5500VV1

SIZE:
C2

DR LM 5-22-89

CH AO 5-22-89