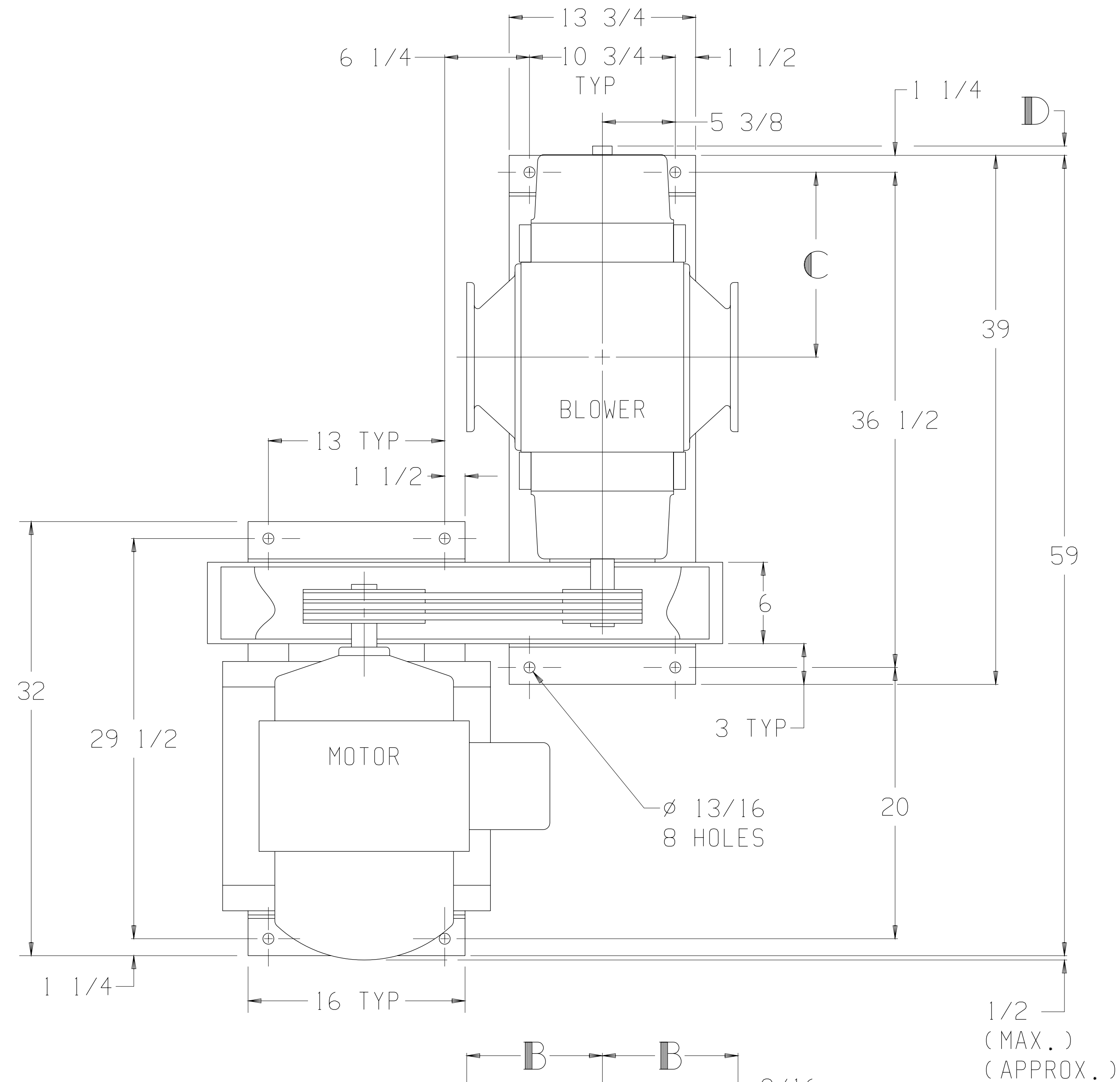


LTR	REVISION	DATE	DR	CH
D	REDRAWN (ECN 1143)	9-19-89	LM	LB
E	REMOVED 16 SERIES (ECN 4739)	7-19-06	CM	CM



BLOWER	A	B	C	D
5507-17/57	4 NPT	8 1/2	17 1/8	—
5509-17/57	5 NPT	8 1/2	16 3/8	—
5511-17/57	5 NPT	8 1/2	15 3/8	—
5514-17/57	6 FLG	10	13 7/8	7/16
5516-17/57	8 FLG	10	12 7/8	2 7/16

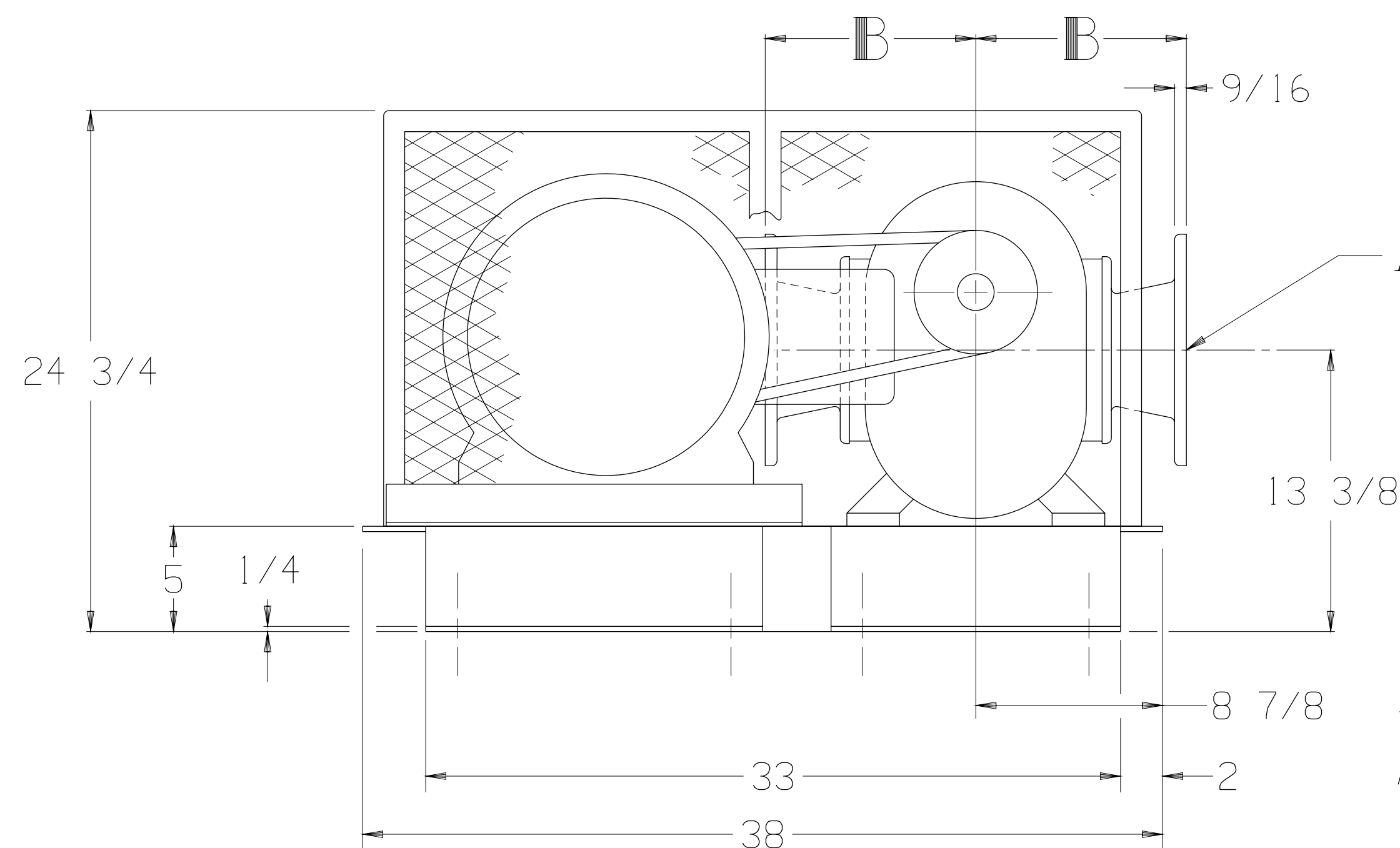
MOTOR W/SLIDE BASE  
1800 RPM, 230/460 V, 3 PH, 60 HZ

HP	FRAME	TYPE
15	254T	ODP
20	256T	TEFC
25	284T	TEXP
30	286T	SEVERE DUTY TEFC

SEVERE DUTY  
TEXP

APPROXIMATE WEIGHT

BASE, DRIVE, & GUARD-	184 LBS
BLOWER	- ___ LBS
MOTOR & SLIDE BASE	- ___ LBS
TOTAL WEIGHT	- ___ LBS



**A** FEMALE NPT OR FLAT FACED FLANGE  
125/150 LB ANSI DRILLING,  
INLET AND OUTLET.

THIS OUTLINE APPLIES TO THE BLOWERS  
AND MOTORS SHOWN IN TABLES

**Tuthill** 800.825.6937

BASE MOUNTED OUTLINE B5500HV1

SIZE:  
C2

DR LM 7-27-89

CH LB 8-22-89