

BLOWER	INTAKE SILENCER ²	B	C	D	E	F
4606	17300-030	3 NPT	65 1/2	70 1/4	29	7
	17300-F40	4 FLG	66 3/4	72 1/4	35	7 1/2
4609	17300-F40	4 FLG	66 1/4	71 3/4	35	7 1/2
	17300-F50	5 FLG	67 1/4	74	46	9
4612	17325-AXXXX	4 FLG	66 1/4	72	35	7 1/2
	17325-AXXXX	5 FLG	67 1/4	74 1/4	46	9
	17300-060	6 FLG	68 3/4	76 3/4	52 1/2	9

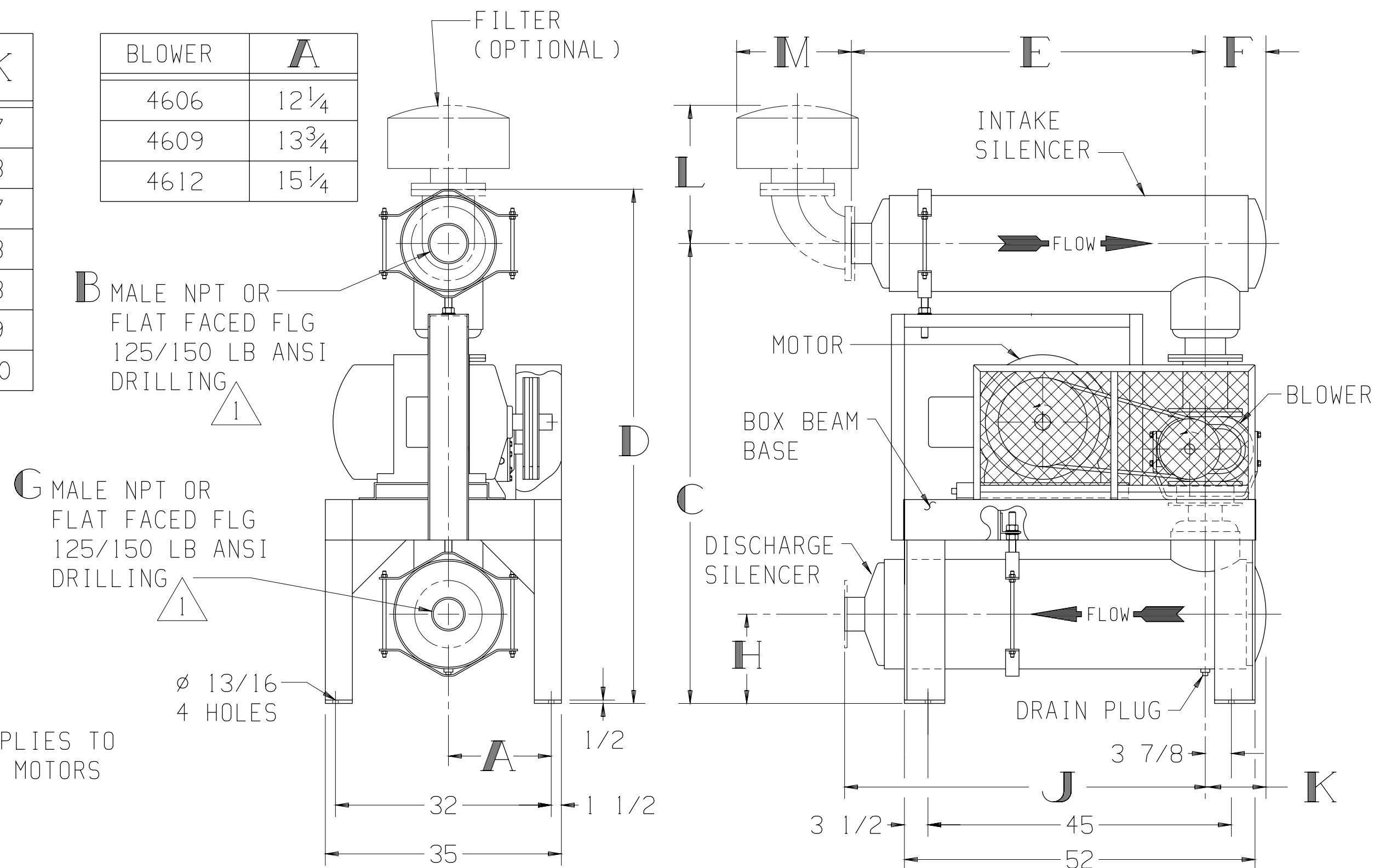
FILTER (OPTIONAL) ²	L	M
26512-030X	11 9/16	8 13/16
26512-F40X	17 1/16	13 5/16
26512-F50X	18 1/16	14 5/16
26512-060X	21 3/8	17 1/16

LTR	REVISION	DATE	DR	CH
A	REVISED DIMS L & M (ECN 3412)	6-29-99	BD	CWM
B	SILENCER PART NUMBERS WERE 29551 & 29552 (ECN 4740)	5-25-06	BD	CM

BLOWER	DISCHARGE SILENCER ²	G	H	J	K
4606	17301-030	3 NPT	15	36	7
	17301-F40	4 FLG	12 1/4	42	8
4609	17301-030	3 NPT	15 1/2	36	7
	17301-F40	4 FLG	12 3/4	42	8
4612	17326-AXXXX	4 FLG	15 1/4	42	8
	17326-AXXXX	5 FLG	13 1/4	53 1/2	9
	17301-060	6 FLG	11 3/4	59	10

BLOWER	A
4606	12 1/4
4609	13 3/4
4612	15 1/4

MOTOR W/SLIDE BASE		TYPE	
HP	FRAME		
1800 RPM, 230/460 V, 3 PH, 60 HZ			
40	324T		ODP
50	326T		TEFC
60	364T	TEXP	
75	365T	SEVERE DUTY TEFC	
		SEVERE DUTY TEXP	



APPROXIMATE WEIGHT	
BASE, DRIVE & GUARD-	650 LBS
BLOWER	- LBS
MOTOR & S.B.	- LBS
SILENCERS	- LBS
FILTER	- LBS
TOTAL WEIGHT - LBS	

NOTE:

¹ CONNECTION SIZES SHOWN IN TABLES ABOVE ARE STANDARD CONNECTIONS. WHEN REQUESTED, CONNECTIONS OTHER THAN STANDARD CAN BE SUPPLIED. IF SO, THEY ARE _____ INLET & _____ OUTLET CONNECTIONS

² AN "X" IN A PART NUMBER INDICATES NEEDED INFORMATION FOR A COMPLETE PART NUMBER

Tuthill 800.825.6937

BASE MOUNTED OUTLINE B4600VV2A

SIZE: C2

DR SY 5-20-91 CH A0 1-8-93