

BLOWER	INTAKE SILENCER	B	C	D	E	F
4606	29551-030	3 NPT	56	60 1/4	29	7
	29551-040	4 FLG	56	61 3/4	35	7 1/2
4609	29551-040	4 FLG	55 1/2	61 1/4	35	7 1/2
	29551-050	5 FLG	58	64 3/4	46	9
4612	29551-040	4 FLG	56	61 3/4	35	7 1/2
	29551-050	5 FLG	56 1/2	63 1/2	46	9
	29551-060	6 FLG	58	66	52 1/2	9

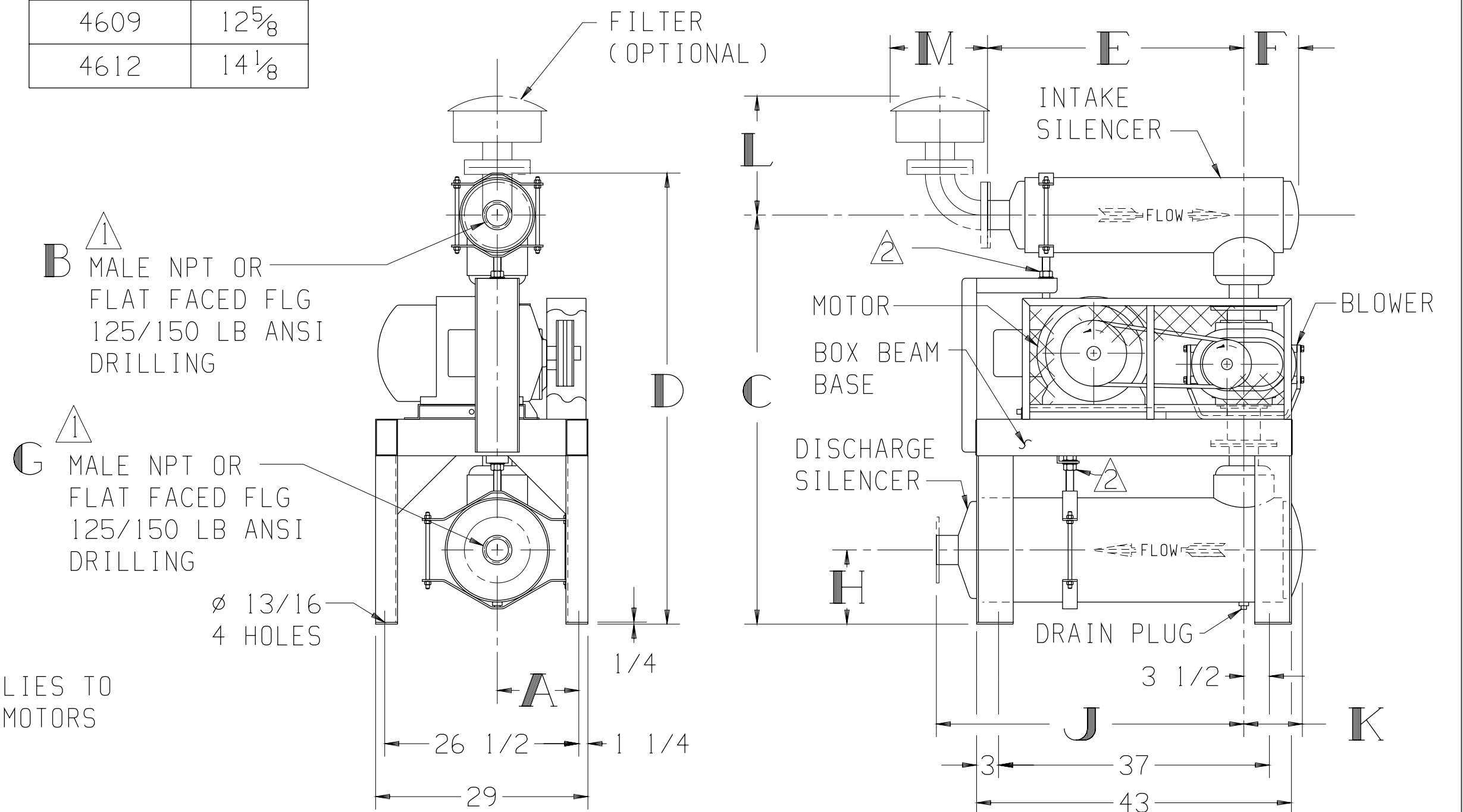
FILTER (OPTIONAL)	L	M
26512-030	11 9/16	8 13/16
26512-F40	17 1/16	13 5/16
26512-F50	18 1/16	14 5/16
26512-060	21 3/8	17 1/16

LTR	REVISION	DATE	DR	CH
A	REVISED DIMS L & M (ECN 3412)	6-29-99	BD	CWM

BLOWER	DISCHARGE SILENCER	G	H	J	K
4606	29552-030	3 NPT	12 1/2	36	7
	29552-040	4 FLG	10	42	8
4609	29552-030	3 NPT	13	36	7
	29552-040	4 FLG	10 1/2	42	8
4612	29552-040	4 FLG	13 1/2	42	8
	29552-050	5 FLG	11 1/2	53 1/2	9

BLOWER	A
4606	11 1/8
4609	12 5/8
4612	14 1/8

MOTOR W/SLIDE BASE 1800 RPM, 230/460 V, 3 PH, 60 HZ		
HP	FRAME	TYPE
15	254T	ODP
20	256T	TEFC
25	284T	TEXP
30	286T	SEVERE DUTY TEFC
		SEVERE DUTY TEXP



THIS OUTLINE APPLIES TO THE BLOWERS AND MOTORS SHOWN IN TABLES

NOTE:

- ⚠ CONNECTION SIZES SHOWN IN TABLES ABOVE ARE STANDARD CONNECTIONS. WHEN REQUESTED, CONNECTIONS OTHER THAN STANDARD CAN BE SUPPLIED. IF SO, THEY ARE _____ INLET & _____ OUTLET CONNECTIONS.
- ⚠ WITH BASE INSTALLED & SILENCERS UNRESTRAINED:
 - A. FIRMLY HAND TIGHTEN UPPER NUT, THEN TIGHTEN ADDITIONAL 1/4 TURN.
 - B. SECURELY LOCK WITH LOWER NUT.

APPROXIMATE WEIGHT	
BASE, DRIVE & GUARD-	350 LBS
BLOWER	- _____ LBS
MOTOR & S.B.	- _____ LBS
SILENCERS	- _____ LBS
FILTER	- _____ LBS
TOTAL WEIGHT	- _____ LBS

Tuthill 800.825.6937

BASE MOUNTED OUTLINE B4600VV1A

SIZE:
C2

DR SY 3-22-91

CH A0 7-8-91