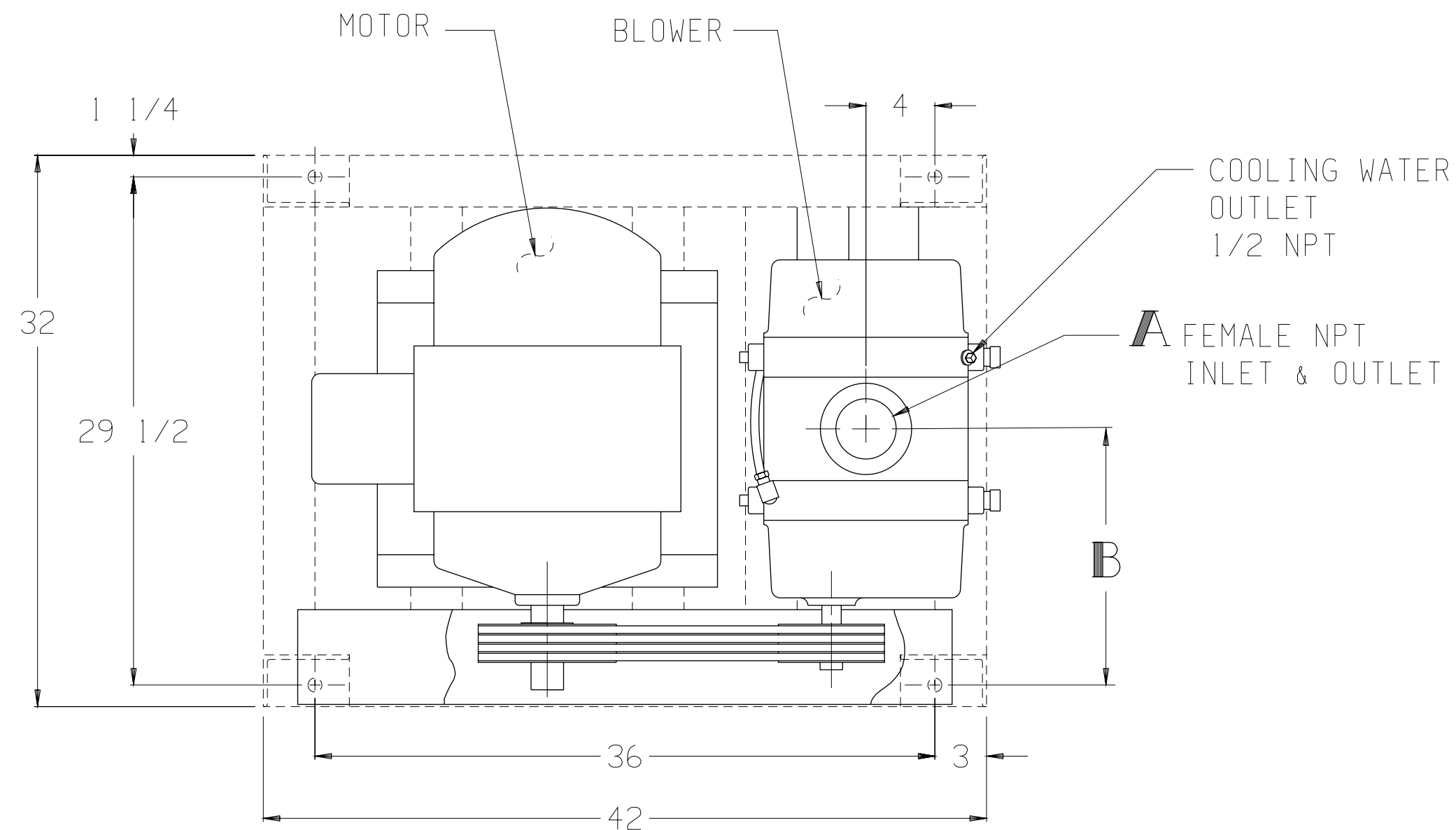
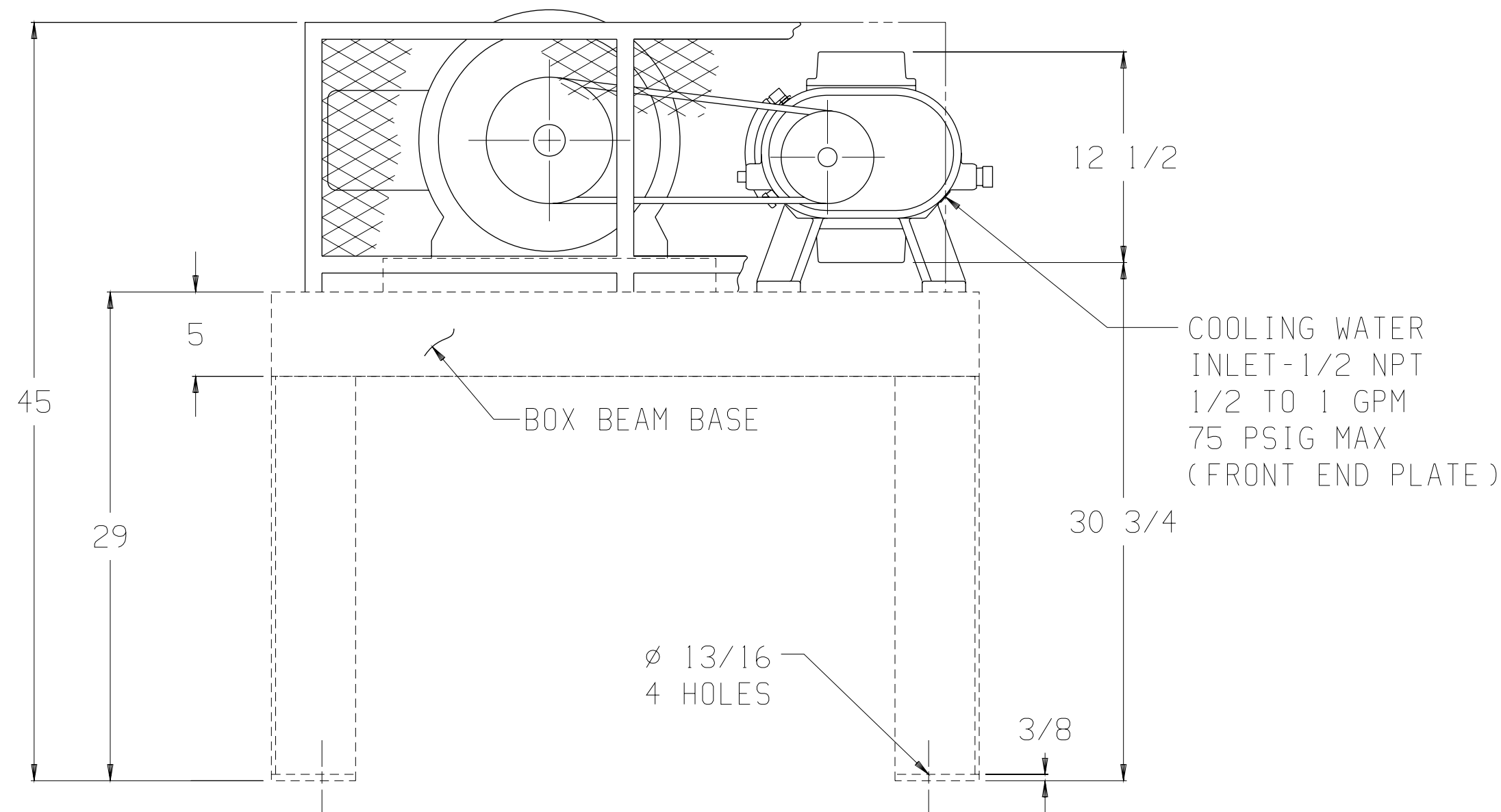


LTR	REVISION	DATE	DR	CH
A	REVISED DIMS FOR "B" & RELOCATED FROM REAR MTG HOLE (ECN 1703)	7-23-91	CM	CM
B	RE-ROUTED WATER HOSE TO LEFT SIDE (ECN 2991)	4-1-97	SM	LB



MOTOR W/SLIDE BASE 1800 RPM, 230/460 V, 3 PH, 60 HZ		
HP	FRAME	TYPE
15	254T	ODP
20	256T	TEFC
25	284T	TEXP
30	286T	SEVERE DUTY TEFC
		SEVERE DUTY TEXP

BLOWER	A	B
4006-46E/81E	3 NPT	14 ⁷ / ₁₆
4009-46E/81E	3 NPT	15 ¹⁵ / ₁₆
4012-46E/81E	4 NPT	17 ⁷ / ₁₆



APPROXIMATE WEIGHT

BASE, DRIVE, & GUARD-	304	LBS
BLOWER	-	___ LBS
MOTOR & SLIDE BASE	-	___ LBS
TOTAL WEIGHT	-	___ LBS

THIS OUTLINE APPLIES TO THE BLOWERS AND MOTORS SHOWN IN TABLES

Tuthill 800.825.6937

BASE MOUNTED OUTLINE B4000VV2L-E

SIZE:
C2

DR JS 10-23-90

CH CM 10-24-90