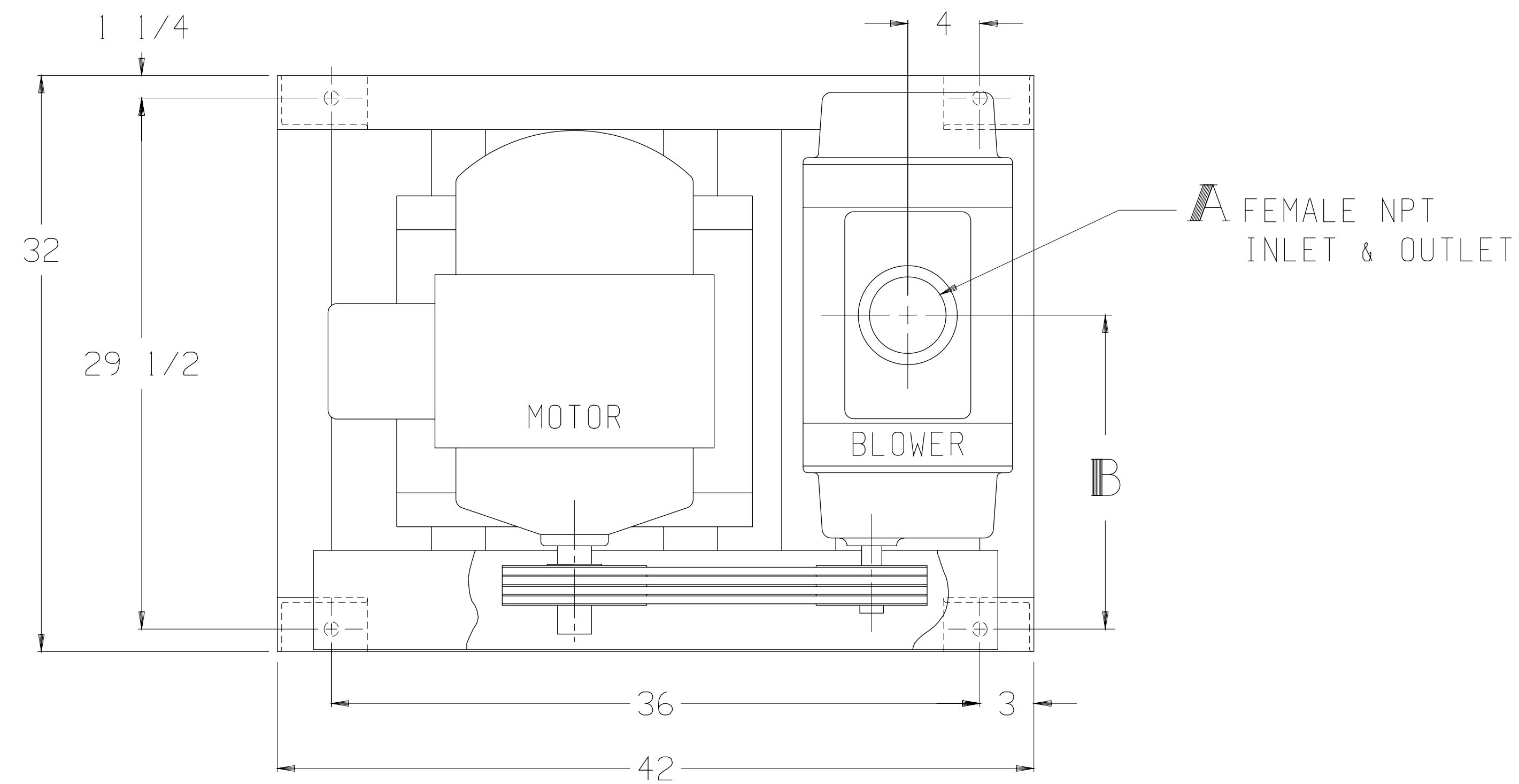
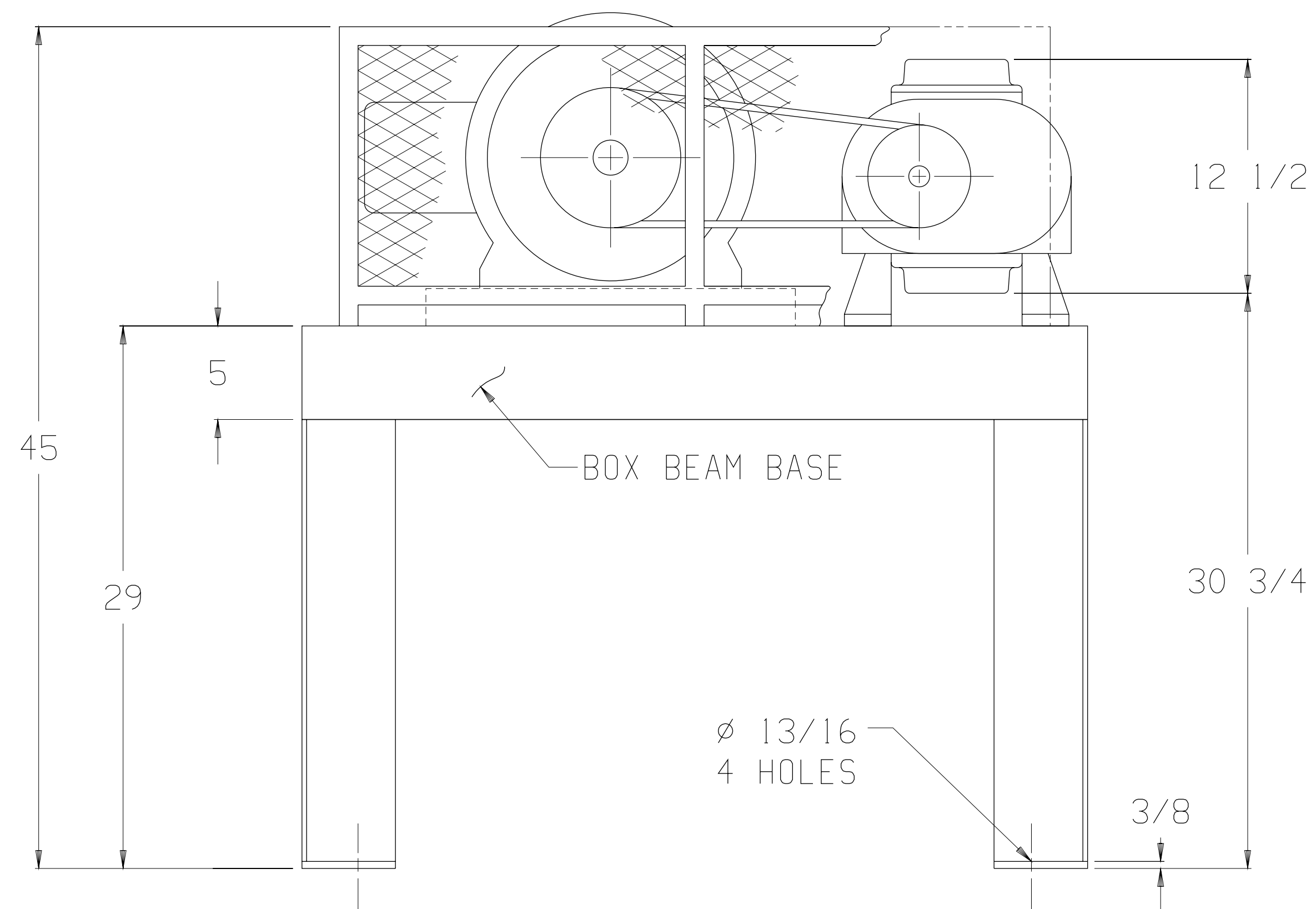


LTR	REVISION	DATE	DR	CH
D	REMOVED 47 SERIES (ECN 4767)	7-27-06	CM	CM



MOTOR W/SLIDE BASE 1800 RPM, 230/460 V, 3 PH, 60 HZ		
HP	FRAME	TYPE
15	254T	ODP
20	256T	TEFC
25	284T	TEXP
30	286T	SEVERE DUTY TEFC
		SEVERE DUTY TEXP

BLOWER	A	B
4006-46/81	3 NPT	14 ⁷ / ₁₆
4009-46/81	3 NPT	15 ¹⁵ / ₁₆
4012-46/81	4 NPT	17 ⁷ / ₁₆



APPROXIMATE WEIGHT

BASE, DRIVE, & GUARD-	304	LBS
BLOWER	-	___ LBS
MOTOR & SLIDE BASE	-	___ LBS
TOTAL WEIGHT	-	___ LBS

THIS OUTLINE APPLIES TO THE BLOWERS
AND MOTORS SHOWN IN TABLES

Tuthill 800.825.6937

BASE MOUNTED OUTLINE B4000VV2L

SIZE:
C2

DR RC 10-11-88

CH CM 10-12-88