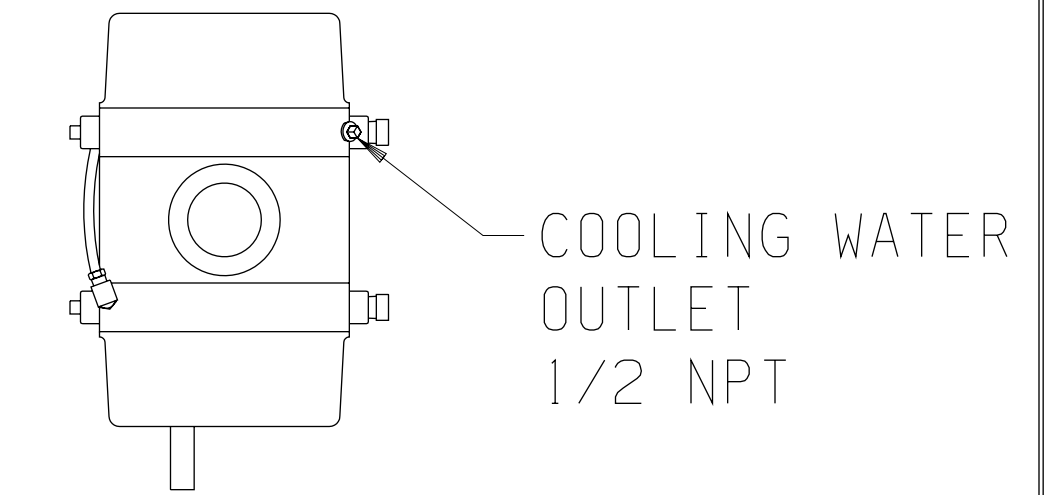


LTR	REVISION	DATE	DR	CH
D	SILENCERS WERE 29551 & 29552 (ECN 4767)	7-28-06	CM	CM

BLOWER	INTAKE SILENCER	B	C	D	E	F
4006 &	17300-025	2 1/2 NPT	56 7/8	61 7/16	23	7
4009	17300-030	3 NPT	57 5/16	61 7/8	29	7
4012	17300-025	2 1/2 NPT	57	61 9/16	23	7
	17300-030	3 NPT	56 15/16	61 1/2	29	7
	17300-F40	4 FLG	58 1 1/16	64 7/16	35	7 1/2

FILTER (OPTIONAL)	L	M
26512-025X	10 13/16	8 1/2
26512-030X	11 9/16	8 13/16
26512-F40X	17 1/16	13 5/16

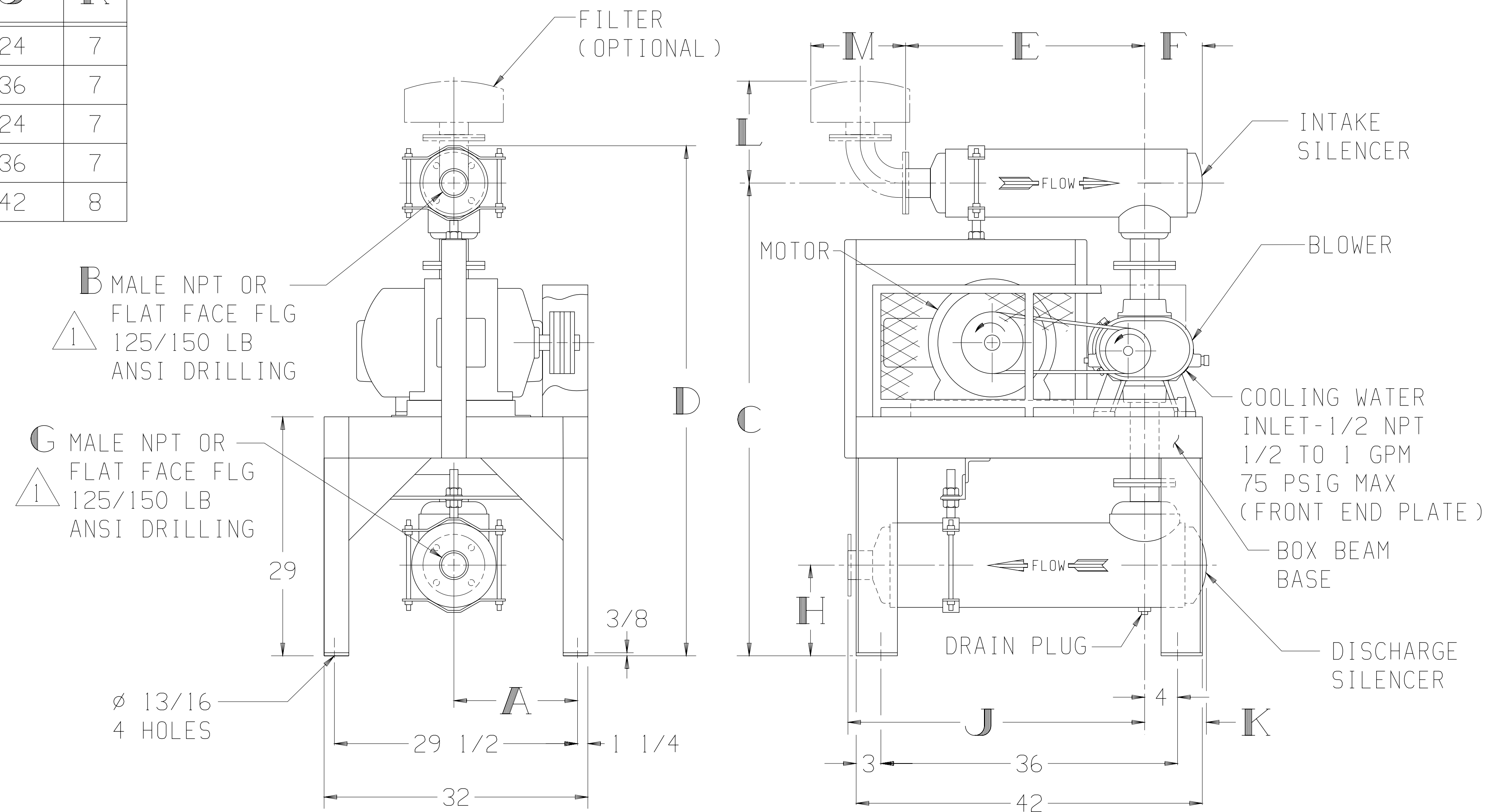
BLOWER	A
4006-46E/81E	14 7/16
4009-46E/81E	15 15/16
4012-46E/81E	17 7/16



BLOWER	DISCHARGE SILENCER	G	H	J	K
4006 &	17301-025	2 1/2 NPT	11 1/8	24	7
4009	17301-030	3 NPT	11 1 1/16	36	7
4012	17301-025	2 1/2 NPT	11	24	7
	17301-030	3 NPT	11 1/16	36	7
	17301-F40	4 FLG	9	42	8

MOTOR W/SLIDE BASE		
1800 RPM, 230/460 V, 3 PH, 60 HZ		
HP	FRAME	TYPE
15	254T	ODP
20	256T	TEFC
25	284T	TEXP
30	286T	SEVERE DUTY TEFC
		SEVERE DUTY TEXP

THIS OUTLINE APPLIES TO THE BLOWERS AND MOTORS SHOWN IN TABLES



APPROXIMATE WEIGHT	
BASE, DRIVE & GUARD-	330 LBS
BLOWER	- ___ LBS
MOTOR & S.B.	- ___ LBS
SILENCERS	- ___ LBS
FILTER	- ___ LBS
TOTAL WEIGHT	- ___ LBS

NOTE:

1 CONNECTION SIZES SHOWN IN TABLES ABOVE ARE STANDARD CONNECTIONS. WHEN REQUESTED, CONNECTIONS OTHER THAN STANDARD CAN BE SUPPLIED. IF SO, THEY ARE ___ INLET & ___ OUTLET CONNECTIONS.

2 AN "X" IN A PART NUMBER INDICATES NEEDED INFORMATION FOR A COMPLETE PART NUMBER

Tuthill 800.825.6937

BASE MOUNTED OUTLINE B4000VV2A-E

SIZE:
C2

DR MJ 11-8-89

CH CM 11-8-89