

LTR	REVISION	DATE	DR	CH
C	1) SILENCERS WERE 29552; 2) REMOVED 47 SERIES (ECN 4767)	7-27-06	CM	CM

BLOWER	DISCHARGE SILENCER	C	D	E	F
4006 & 4009	17301-025	2½ NPT	11 1/8	24	7
	17301-030	3 NPT	11 11/16	36	7
4012	17301-025	2½ NPT	11	24	7
	17301-030	3 NPT	11 1/16	36	7
	17301-F40	4 FLG	9	42	8

BLOWER	FILTER (OPTIONAL) ²	G
4006 & 4009	26512-025X	52 1/16
	26512-030X	51 3/4
4012	26512-025X	52
	26512-030X	52 3/8
	26512-T40X	51 1/2

BLOWER	FILTER/SILENCER (OPTIONAL) ²	G
4006 & 4009	26312-025X	62 1/4
	26312-030X	61 15/16
4012	26312-025X	62 3/16
	26312-030X	62 9/16
	26312-T40X	61 9/16

MOTOR W/SLIDE BASE 1800 RPM, 230/460 V, 3 PH, 60 HZ		
HP	FRAME	TYPE
15	254T	ODP
20	256T	TEFC
25	284T	TEXP
30	286T	SEVERE DUTY TEFC
		SEVERE DUTY TEXP

BLOWER	A	B
4006-46/81	14 7/16	3
4009-46/81	15 15/16	3
4012-46/81	17 7/16	4

THIS OUTLINE APPLIES TO THE BLOWERS AND MOTORS SHOWN IN TABLES

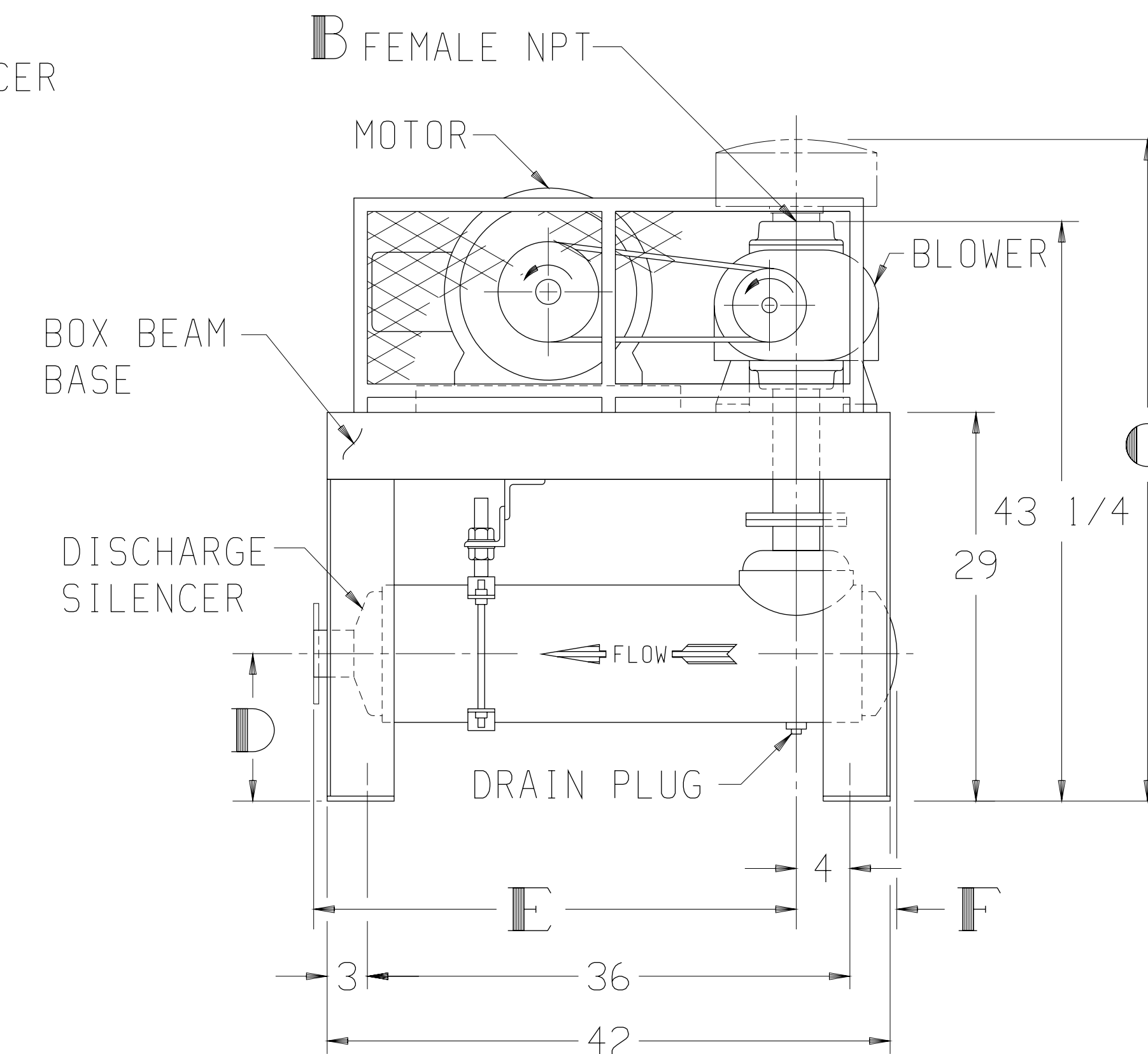
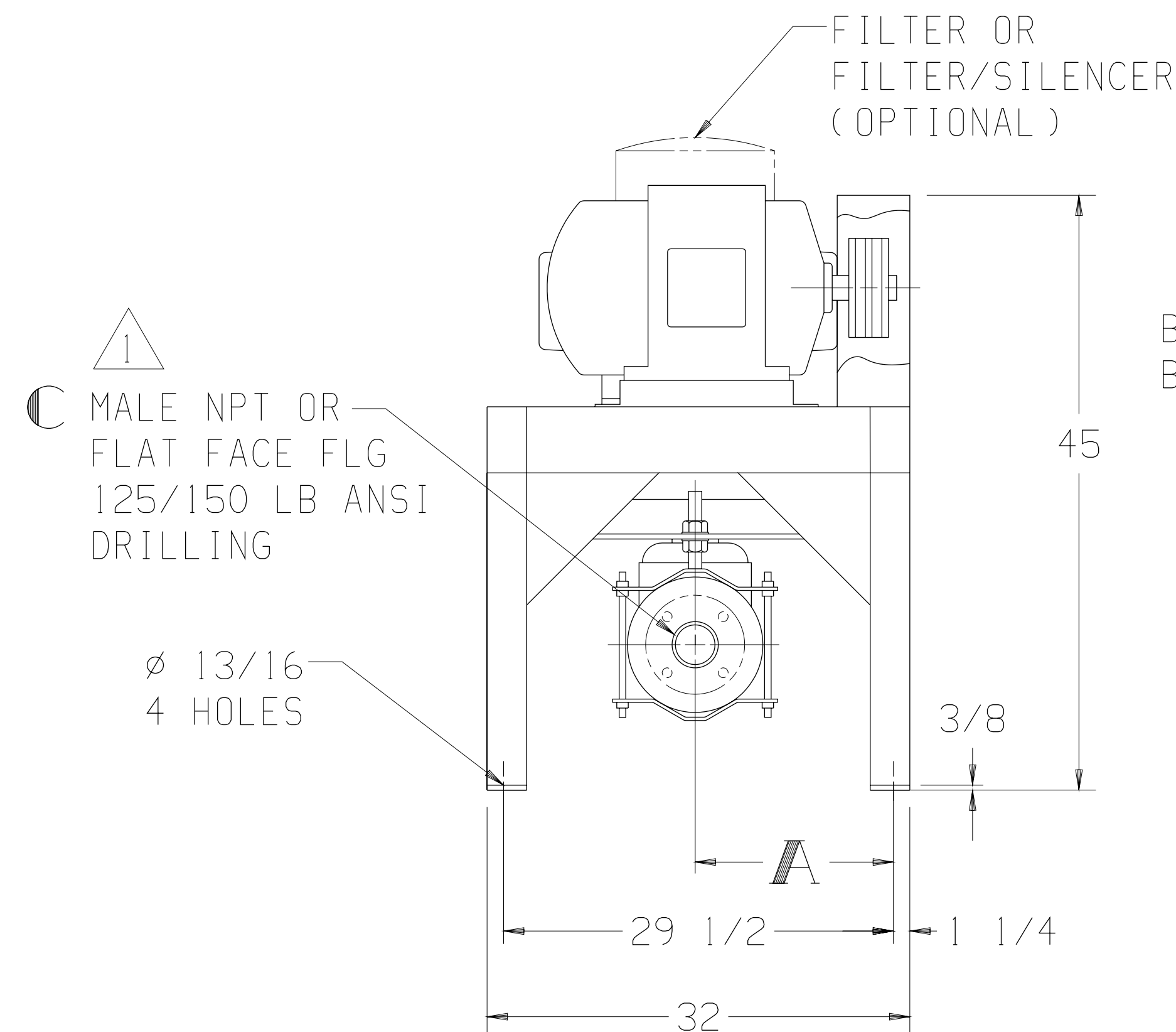
APPROXIMATE WEIGHT

BASE, DRIVE & GUARD-	295	LBS
BLOWER	-	___ LBS
MOTOR & S.B.	-	___ LBS
SILENCER	-	___ LBS
FILTER	-	___ LBS
TOTAL WEIGHT	-	___ LBS

NOTE:

¹ CONNECTION SIZE SHOWN IN TABLE ABOVE IS A STANDARD CONNECTION. WHEN REQUESTED, A CONNECTION OTHER THAN STANDARD CAN BE SUPPLIED. IF SO, IT IS _____ OUTLET CONNECTION.

² AN "X" IN A PART NUMBER INDICATES NEEDED INFORMATION FOR A COMPLETE PART NUMBER



Tuthill 800.825.6937

BASE MOUNTED OUTLINE B4000VV2A-DS

SIZE:
C2

DR LM 10-20-89

CH CM 10-20-89