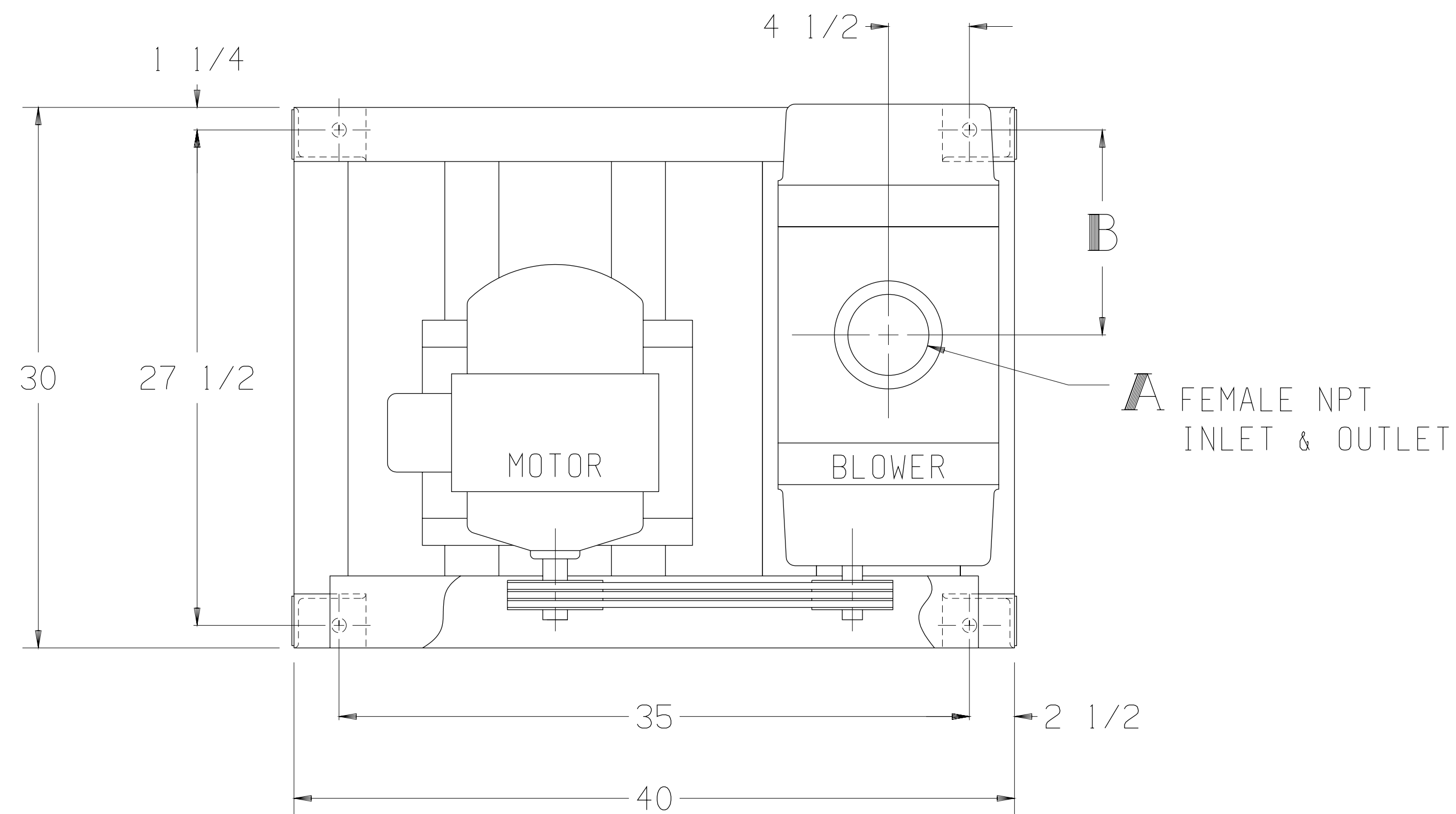
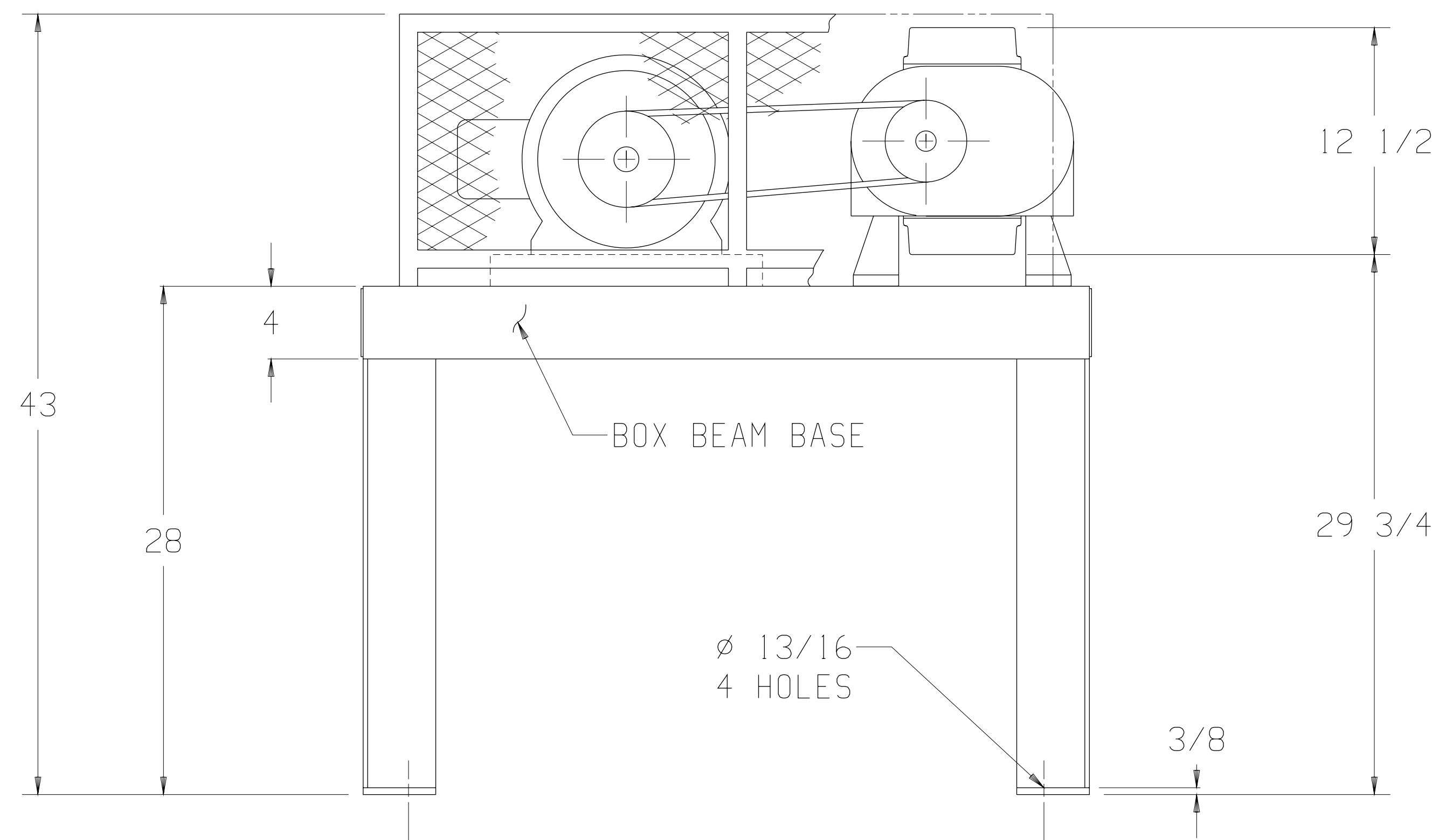


LTR	REVISION	DATE	DR	CH
C	REMOVED 47 SERIES (ECN 4767)	7-27-06	CM	CM



MOTOR W/SLIDE BASE 1800 RPM, 230/460 V, 3 PH, 60 HZ		
HP	FRAME	TYPE
5	184T	ODP
7½	213T	TEFC
10	215T	TEXP
		SEVERE DUTY TEFC
		SEVERE DUTY TEXP

BLOWER	A	B
4006-46/81	3 NPT	14½
4009-46/81	3 NPT	13
4012-46/81	4 NPT	11½



APPROXIMATE WEIGHT

BASE, DRIVE, & GUARD-	243	LBS
BLOWER	-	___ LBS
MOTOR & SLIDE BASE	-	___ LBS
TOTAL WEIGHT	-	___ LBS

THIS OUTLINE APPLIES TO THE BLOWERS AND MOTORS SHOWN IN TABLES

Tuthill 800.825.6937

BASE MOUNTED OUTLINE B4000VV1L

SIZE:
C2

DR LM 7-24-89

CH LB 8-10-89