

LTR	REVISION	DATE	DR	CH
B	1) SILENCERS WERE 29551; 2) REMOVED 47 SERIES (ECN 4739)	7-27-06	CM	CM

BLOWER	INTAKE SILENCER	B	C	D	E	F
4006 & 4009	17300-025	2½ NPT	56	60¾	23	7
	17300-030	3 NPT	56½	61	29	7
4012	17300-025	2½ NPT	56¼	60¾	23	7
	17300-030	3 NPT	56	60¾	29	7
	17300-F40	4 FLG	57¾	63½	35	7½

FILTER (OPTIONAL)	G	H
26512-025X	10 ¹³ / ₁₆	8½
26512-030X	11 ⁹ / ₁₆	8 ¹³ / ₁₆
26512-F40X	17 ¹ / ₁₆	13 ⁵ / ₁₆

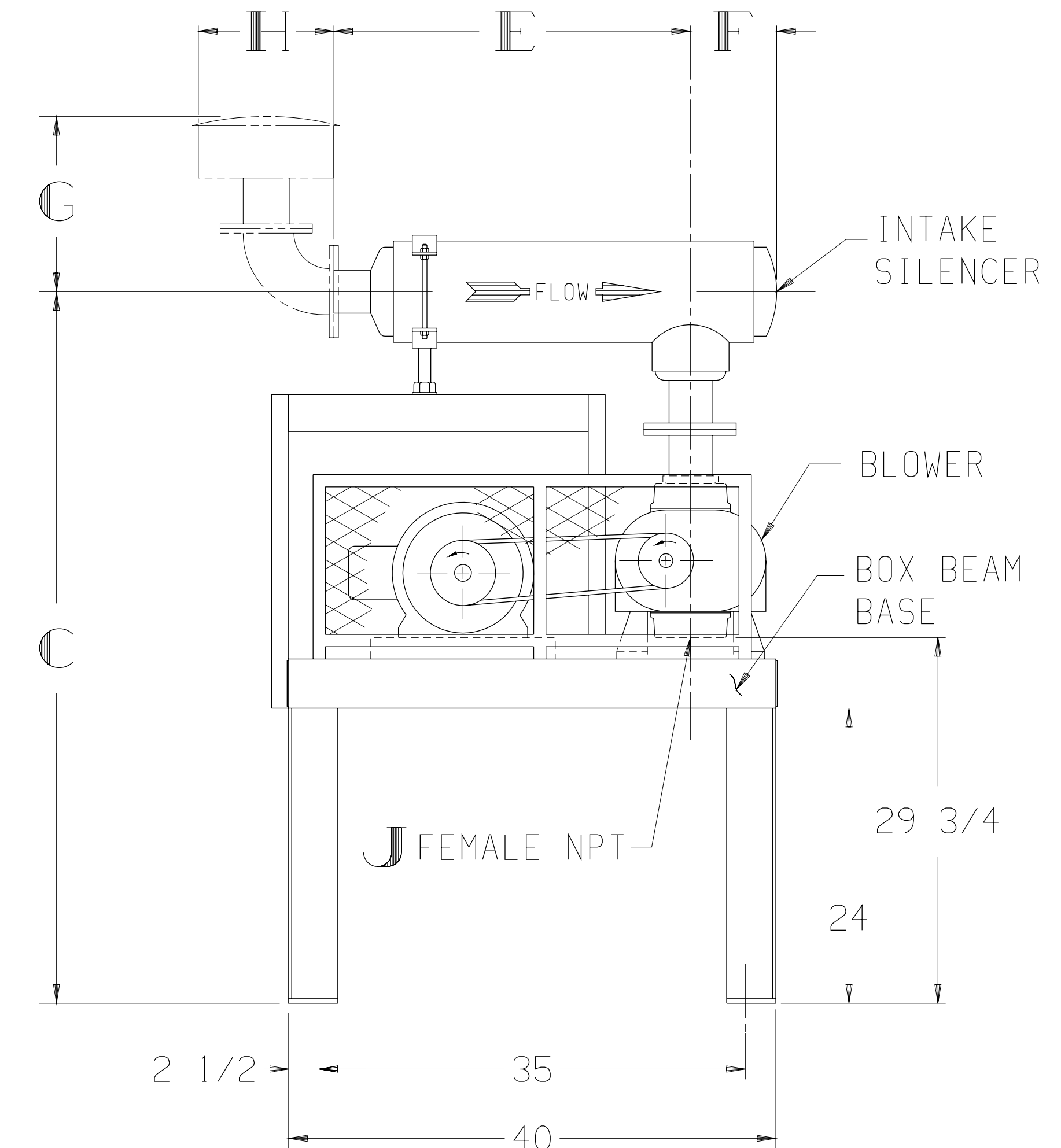
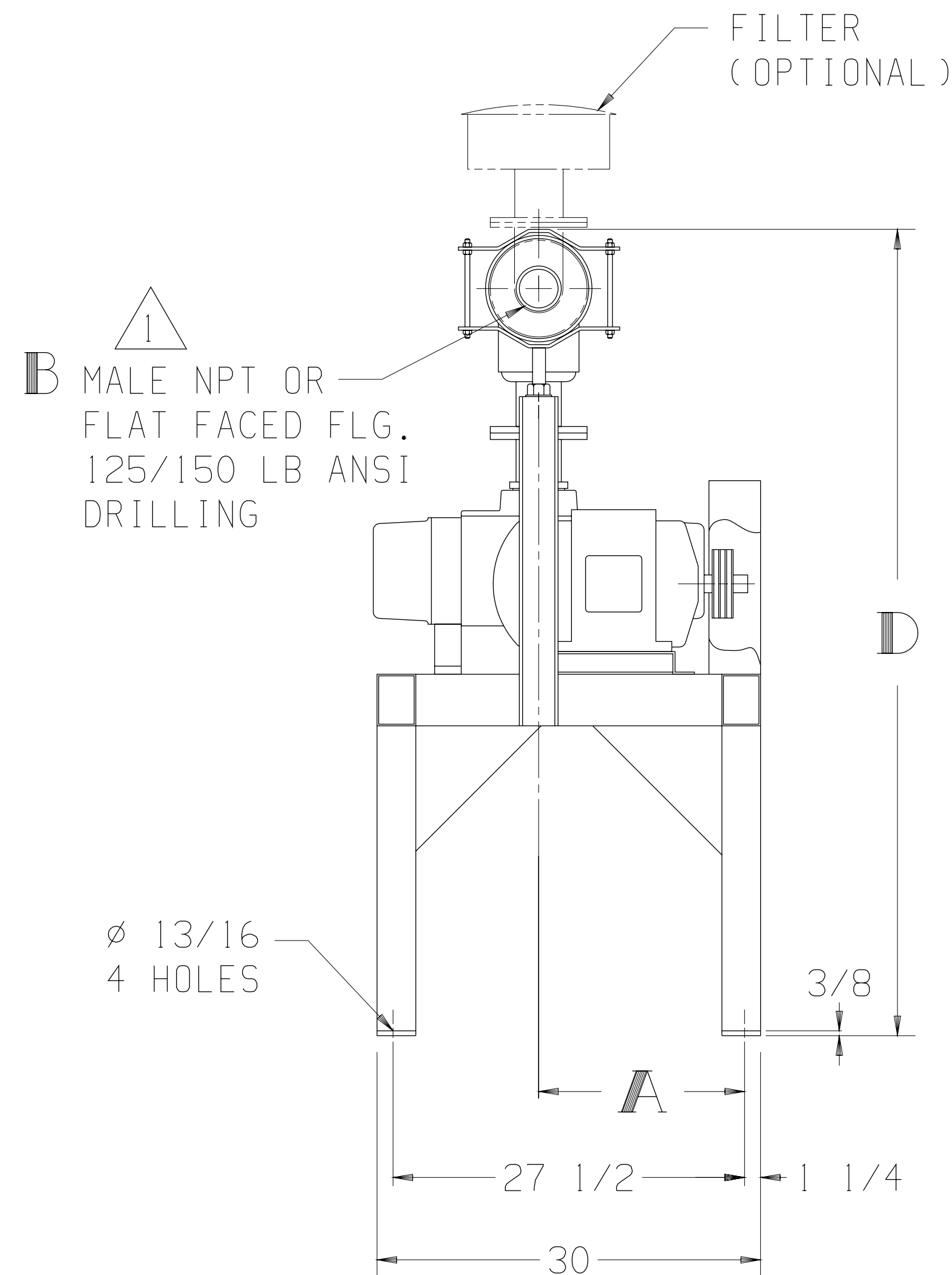
BLOWER	A	J
4006-46/81	13	3 NPT
4009-46/81	14½	3 NPT
4012-46/81	16	4 NPT

MOTOR W/SLIDE BASE 1800 RPM, 230/460 V, 3 PH, 60 HZ		
HP	FRAME	TYPE
5	184T	ODP
7½	213T	TEFC
10	215T	TEXP
		SEVERE DUTY TEFC
		SEVERE DUTY TEXP

APPROXIMATE WEIGHT

BASE, DRIVE, & GUARD-	264 LBS
BLOWER	- ___ LBS
MOTOR & SLIDE BASE	- ___ LBS
SILENCER	- ___ LBS
FILTER	- ___ LBS
TOTAL WEIGHT	- ___ LBS

THIS OUTLINE APPLIES TO THE BLOWERS AND MOTORS SHOWN IN TABLES



NOTE:

1 CONNECTION SIZES SHOWN IN TABLES ABOVE ARE STANDARD CONNECTIONS. WHEN REQUESTED, CONNECTIONS OTHER THAN STANDARD CAN BE SUPPLIED. IF SO, IT IS _____ INLET CONNECTION.

2 AN "X" IN A PART NUMBER INDICATES NEEDED INFORMATION FOR A COMPLETE PART NUMBER

Tuthill 800.825.6937

BASE MOUNTED OUTLINE B4000VVA-IS

SIZE:
C2

DR MJ 9-13-89

CH CM 9-14-89