

BLOWER	DISCHARGE SILENCER	C	D	E	F
4006 & 4009	17301-025	2½ NPT	11	24	7
	17301-030	3 NPT	11½	36	7
4012	17301-025	2½ NPT	10¾	24	7
	17301-030	3 NPT	11	36	7
	17301-F40	4 FLG	9	42	8

BLOWER	FILTER (OPTIONAL) ²	G
4006 & 4009	26512-025X	51 ¼
	26512-030X	50¾
4012	26512-025X	51
	26512-030X	51¾
	26512-T40X	50½

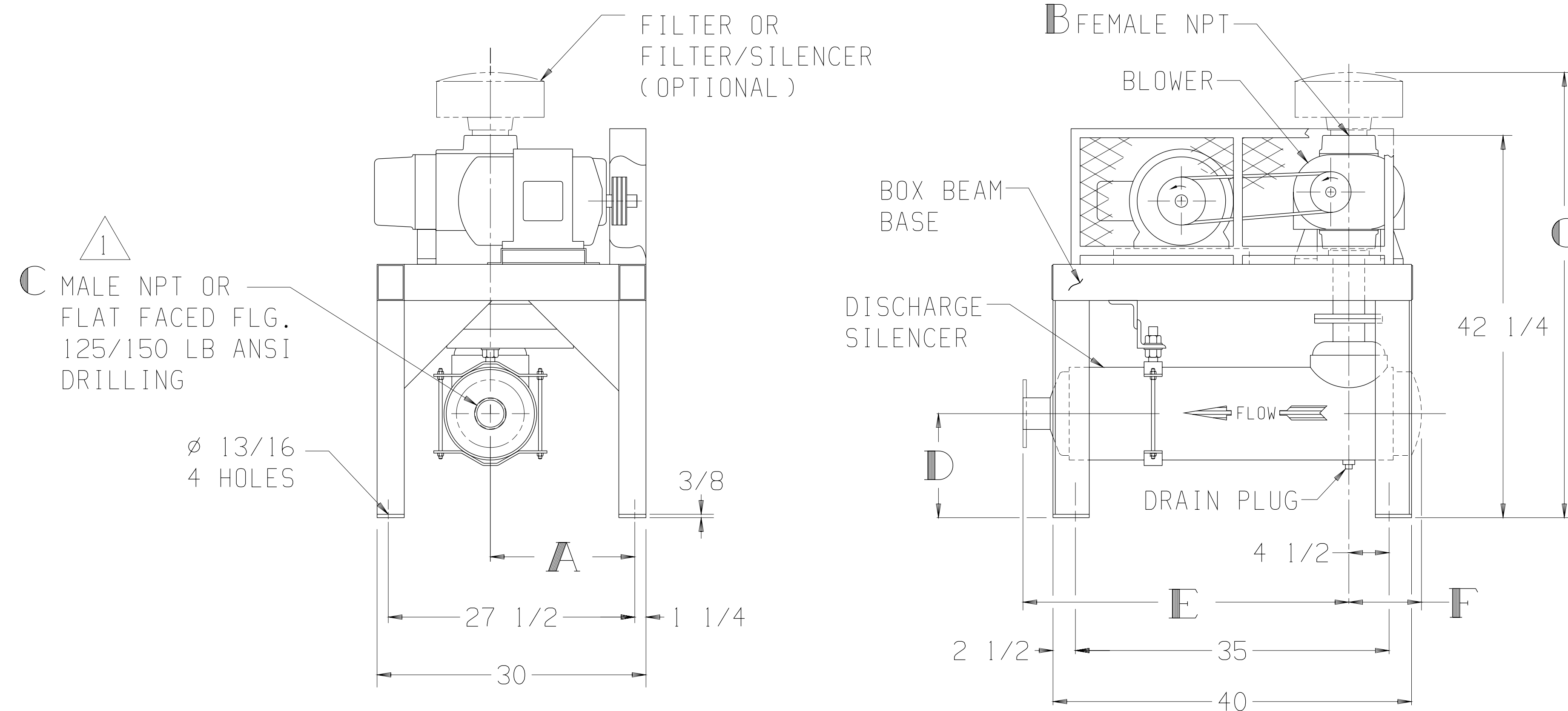
LTR	REVISION	DATE	DR	CH
B	1) SILENCERS WERE 29552; 2) REMOVED 47 SERIES (ECN 4767)	7-27-06	CM	CM

BLOWER	FILTER/SILENCER (OPTIONAL) ²	G
4006 & 4009	26312-025X	61 ¼
	26312-030X	60 15/16
4012	26312-025X	61 3/16
	26312-030X	61 3/16
	26312-T40X	60 9/16

BLOWER	A	B
4006-46/81	13	3 NPT
4009-46/81	14½	3 NPT
4012-46/81	16	4 NPT

MOTOR W/SLIDE BASE 1800 RPM, 230/460 V, 3 PH, 60 HZ		
HP	FRAME	TYPE
5	184T	ODP
7½	213T	TEFC
10	215T	TEXP
		SEVERE DUTY TEFC
		SEVERE DUTY TEXP

THIS OUTLINE APPLIES TO THE BLOWERS AND MOTORS SHOWN IN TABLES



¹ MALE NPT OR FLAT FACED FLG. 125/150 LB ANSI DRILLING

ø 13/16
4 HOLES

NOTE:

¹ CONNECTION SIZE SHOWN IN TABLE ABOVE IS A STANDARD CONNECTION. WHEN REQUESTED, A CONNECTION OTHER THAN STANDARD CAN BE SUPPLIED. IF SO, IT IS _____ OUTLET CONNECTION.

² AN "X" IN A PART NUMBER INDICATES NEEDED INFORMATION FOR A COMPLETE PART NUMBER

APPROXIMATE WEIGHT	
BASE, DRIVE, & GUARD-	255 LBS
BLOWER	- _____ LBS
MOTOR & SLIDE BASE	- _____ LBS
SILENCER	- _____ LBS
FILTER	- _____ LBS
TOTAL WEIGHT	- _____ LBS

Tuthill 800.825.6937

BASE MOUNTED OUTLINE B4000VV1A-DS

SIZE: C2

DR LM 10-20-89 CH CM 10-20-89