

LTR	REVISION	DATE	DR	CH
G	1) SILENCERS WERE 29551 & 29552: 2) REMOVED 47 SERIES (ECN 4767)	7-27-06	CM	CM

BLOWER	INTAKE SILENCER	B	C	D	E	F
4006 & 4009	17300-025	2½ NPT	56	60¾	23	7
	17300-030	3 NPT	56½	61	29	7
4012	17300-025	2½ NPT	56¼	60¾	23	7
	17300-030	3 NPT	56	60¾	29	7
	17300-F40	4 FLG	57¾	63½	35	7½

BLOWER	A
4006-46/81	13
4009-46/81	14½
4012-46/81	16

FILTER (OPTIONAL) <sup>2</sup>	L	M
26512-025X	10 <sup>13</sup> / <sub>16</sub>	8½
26512-030X	11 <sup>9</sup> / <sub>16</sub>	8 <sup>13</sup> / <sub>16</sub>
26512-F40X	17 <sup>1</sup> / <sub>16</sub>	13 <sup>5</sup> / <sub>16</sub>

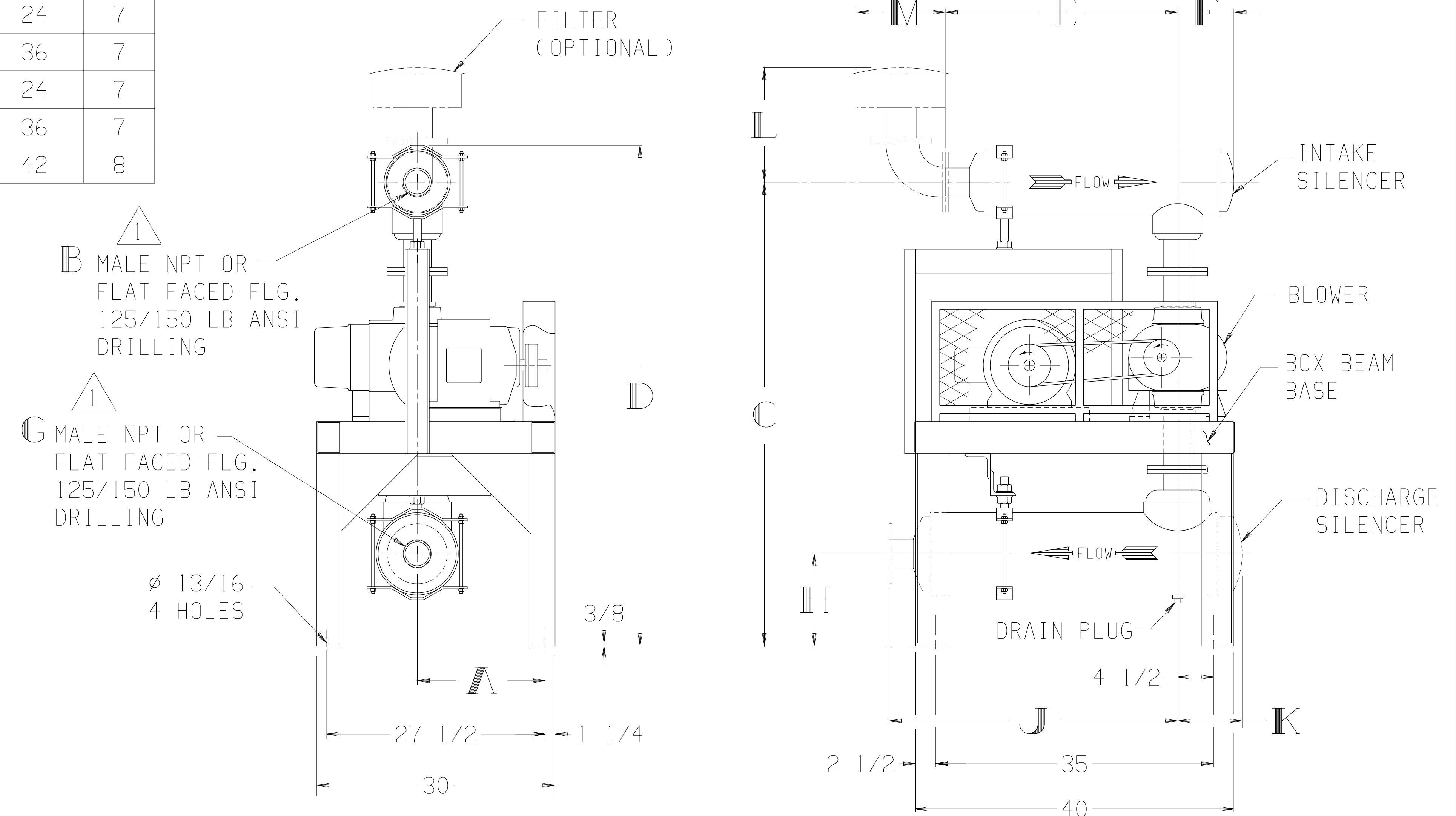
BLOWER	DISCHARGE SILENCER	G	H	J	K
4006 & 4009	17301-025	2½ NPT	11	24	7
	17301-030	3 NPT	11½	36	7
4012	17301-025	2½ NPT	10¾	24	7
	17301-030	3 NPT	11	36	7
	17301-F40	4 FLG	9	42	8

MOTOR W/SLIDE BASE 1800 RPM, 230/460 V, 3 PH, 60 HZ		
HP	FRAME	TYPE
5	184T	ODP
7½	213T	TEFC
10	215T	TEXP
		SEVERE DUTY TEFC
		SEVERE DUTY TEXP

APPROXIMATE WEIGHT

BASE, DRIVE, & GUARD-	292	LBS
BLOWER	-	___
MOTOR & SLIDE BASE	-	___
SILENCERS	-	___
FILTER	-	___
<b>TOTAL WEIGHT</b>	-	<b>___</b>

THIS OUTLINE APPLIES TO THE BLOWERS AND MOTORS SHOWN IN TABLES



NOTE:

<sup>1</sup> CONNECTION SIZES SHOWN IN TABLES ABOVE ARE STANDARD CONNECTIONS. WHEN REQUESTED, CONNECTIONS OTHER THAN STANDARD CAN BE SUPPLIED. IF SO, THEY ARE \_\_\_\_\_ INLET & \_\_\_\_\_ OUTLET CONNECTIONS.

<sup>2</sup> AN "X" IN A PART NUMBER INDICATES NEEDED INFORMATION FOR A COMPLETE PART NUMBER

**Tuthill** 800.825.6937

BASE MOUNTED OUTLINE B4000VV1A

SIZE:  
C2

DR LM 7-26-89

CH LB 8-10-89