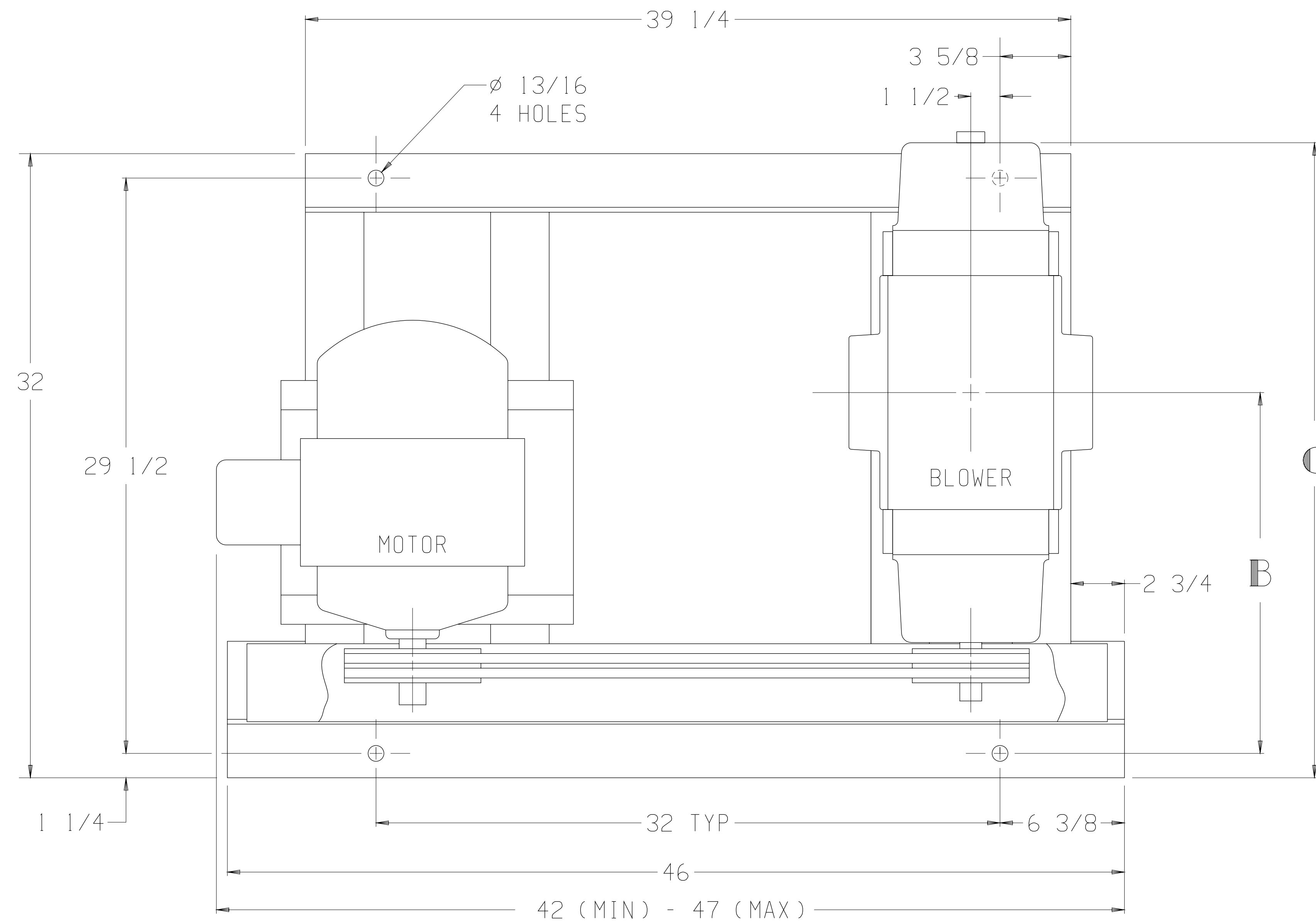


LTR	REVISION	DATE	DR	CH
D	REMOVED 16 SERIES (ECN 4767)	7-27-06	CM	CM

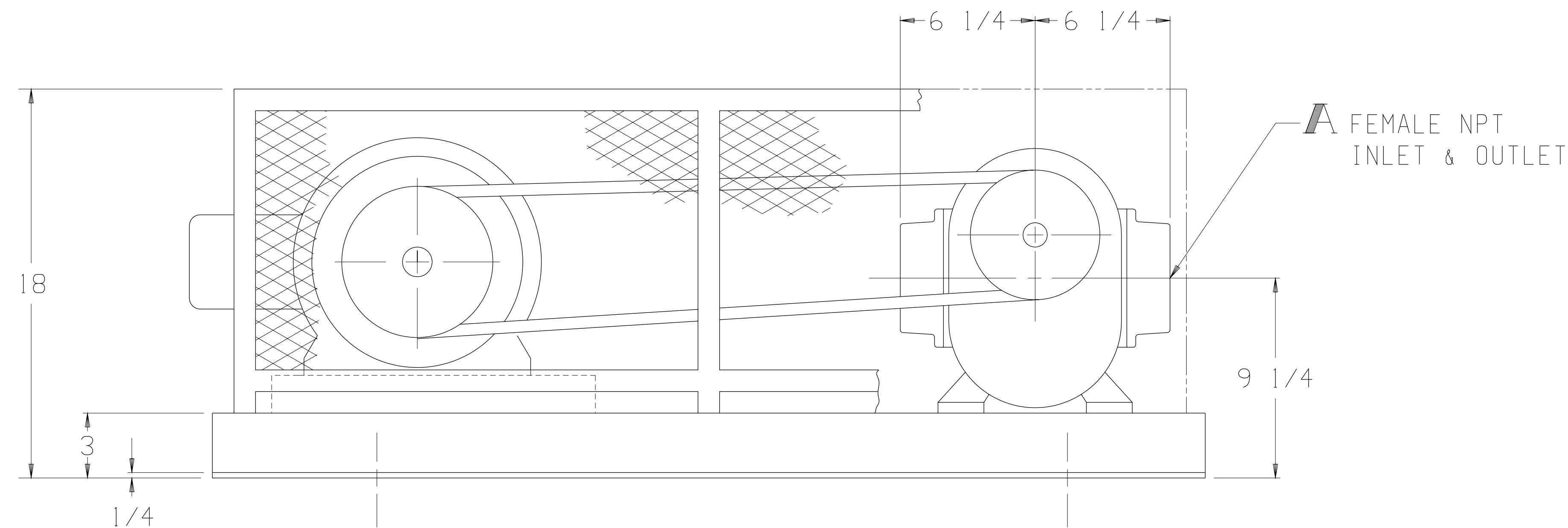


MOTOR W/SLIDE BASE		
1800 RPM, 230/460 V, 3 PH, 60 HZ		
HP	FRAME	TYPE
5	184T	ODP
7½	213T	TEFC
10	215T	TEXP
		SEVERE DUTY TEFC
		SEVERE DUTY TEXP

BLOWER	A	B	C
4006-17/57	3 NPT	15½	—
4009-17/57	3 NPT	17	—
4012-17/57	4 NPT	18½	33⅛

APPROXIMATE WEIGHT

BASE, DRIVE, & GUARD-	132	LBS
BLOWER	-	___
MOTOR & SLIDE BASE	-	___
TOTAL WEIGHT	-	___



THIS OUTLINE APPLIES TO THE BLOWERS AND MOTORS SHOWN IN TABLES

Tuthill 800.825.6937

BASE MOUNTED OUTLINE B4000HV1

SIZE: C2

DR LM 8-2-89 CH LB 8-17-89